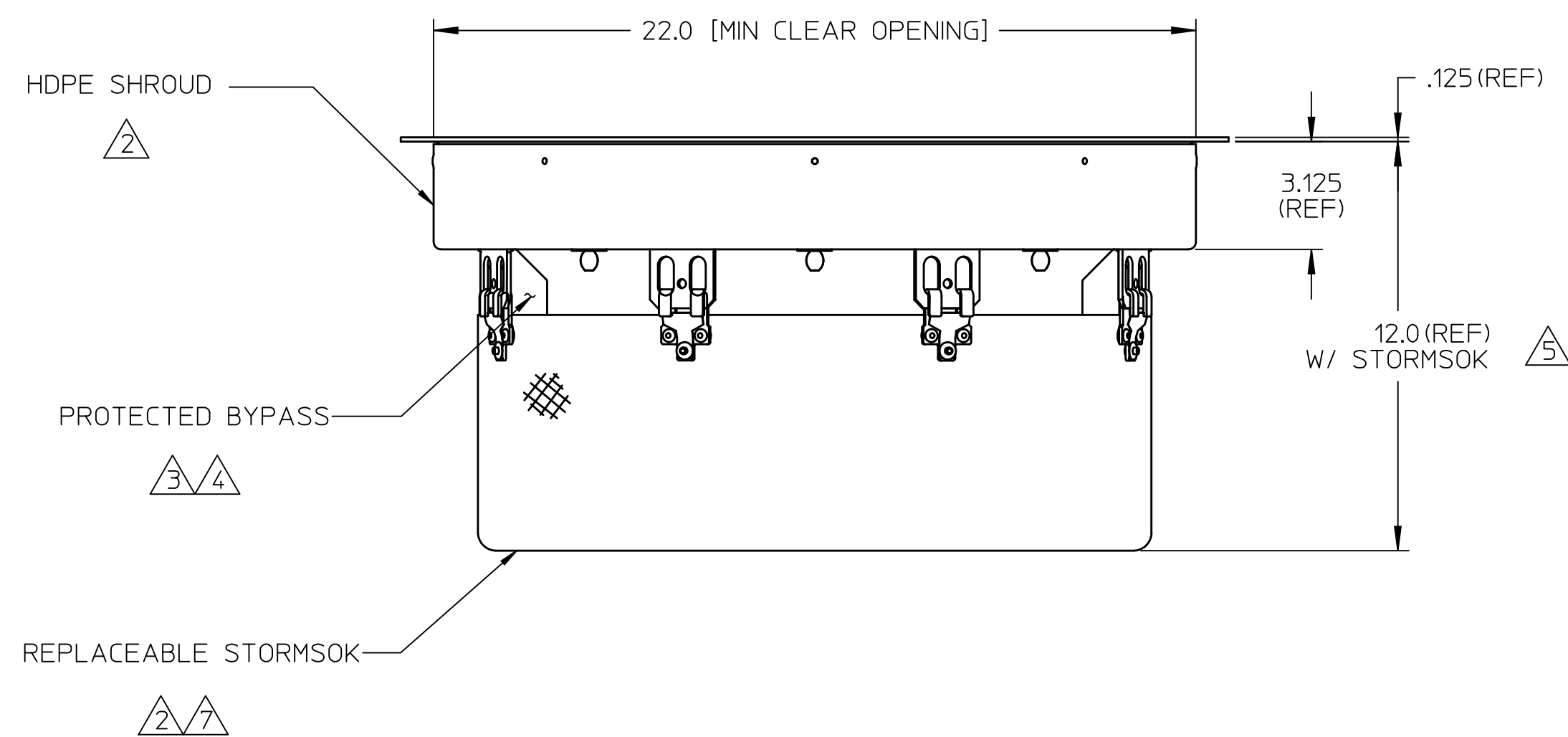
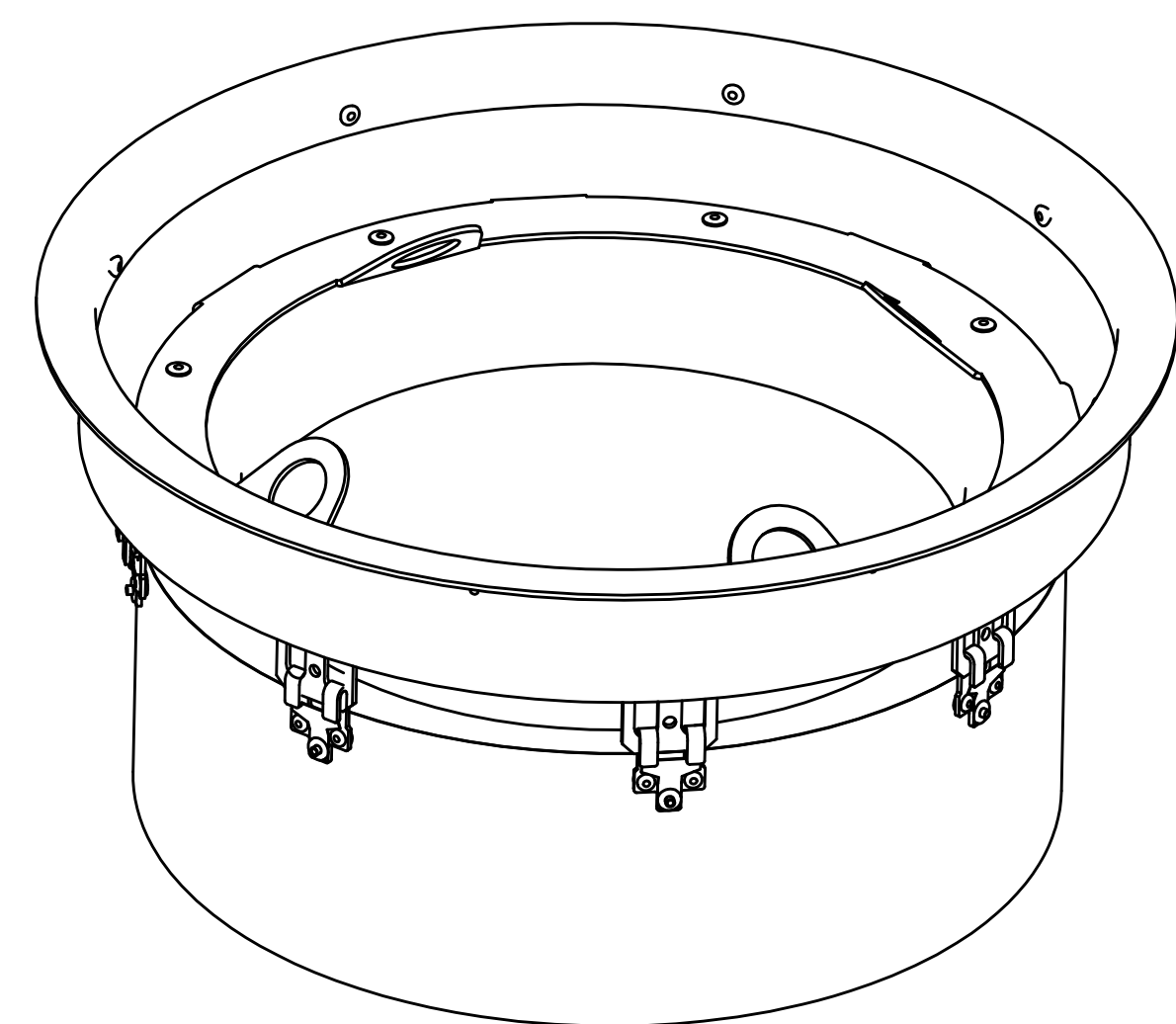
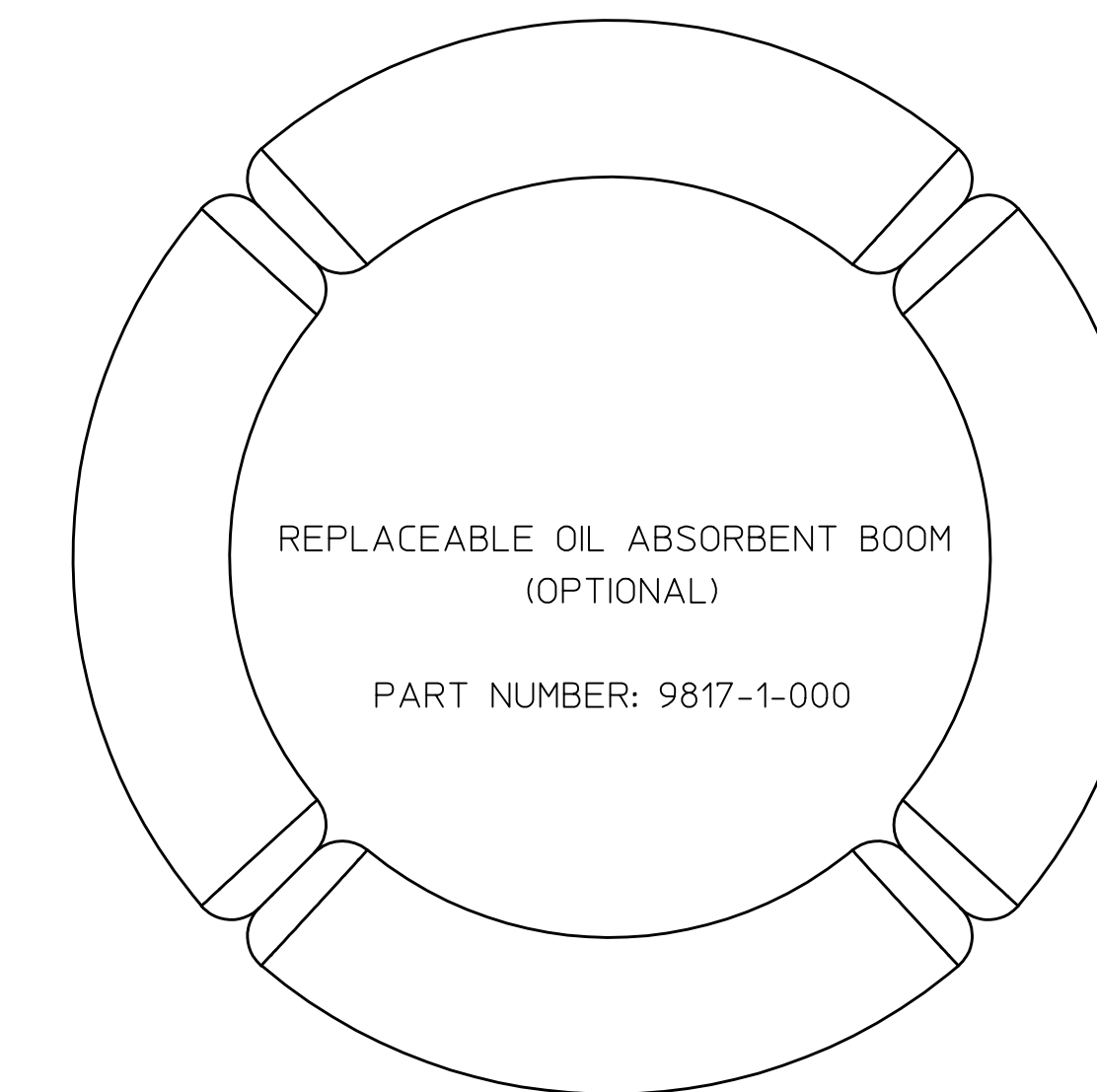
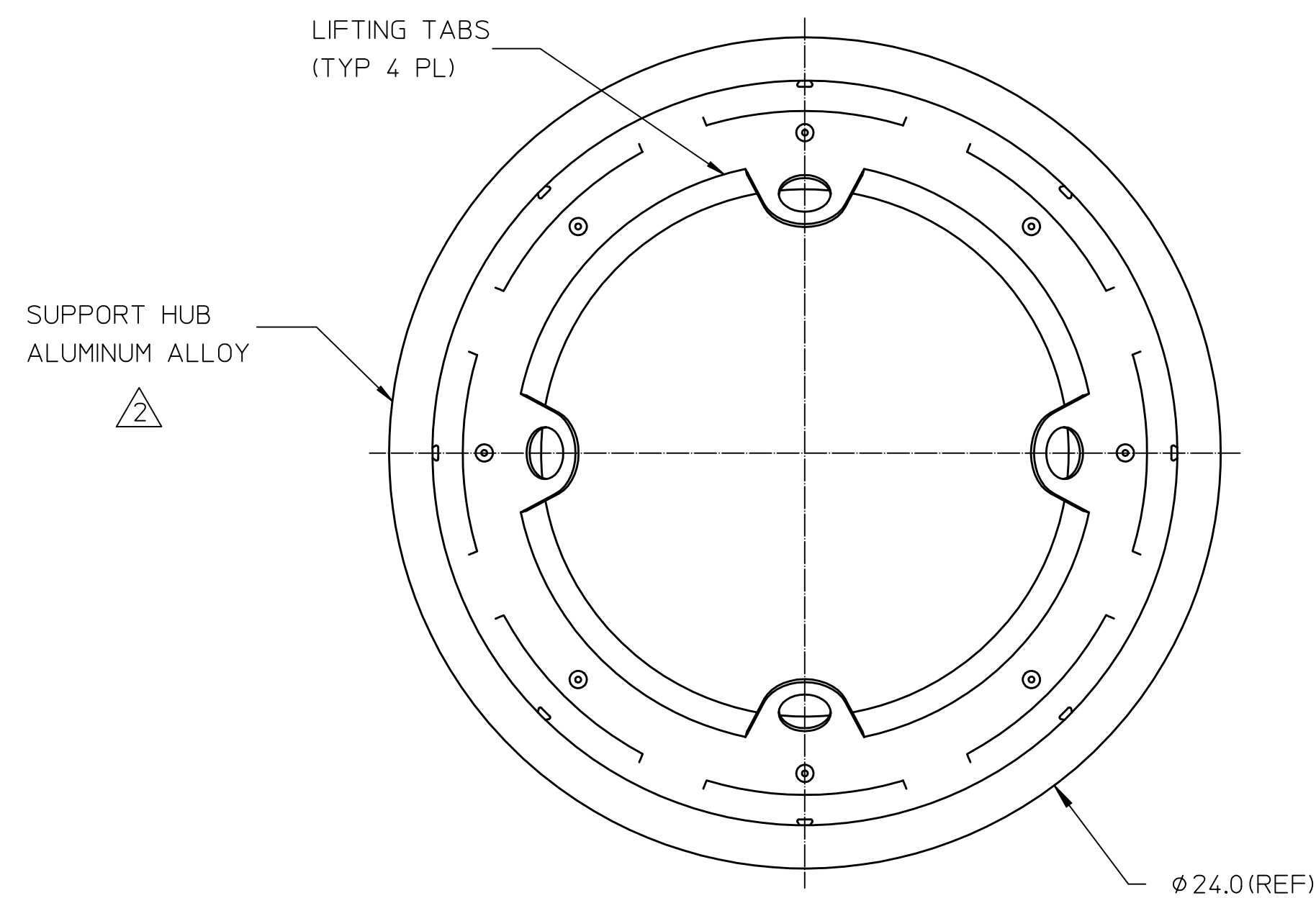


THIS DOCUMENT IS THE PROPERTY OF FABCO INDUSTRIES AND IS CONVEYED WITH THE EXPRESS CONDITION THAT IT AND THE INFORMATION CONTAINED IN IT ARE NOT TO BE USED, DISCLOSED, OR REPRODUCED IN WHOLE OR IN PART FOR ANY PURPOSE WITHOUT THE EXPRESS WRITTEN CONSENT OF FABCO INDUSTRIES, AND THAT NO RIGHT IS GRANTED TO DISCLOSE OR SO USE ANY INFORMATION CONTAINED IN SAID DOCUMENT.

| DWS NO. 9793-1-000 |              | SH 1       | REV E    | 1 | PC991 FAB-003 |
|--------------------|--------------|------------|----------|---|---------------|
| REVISIONS          |              |            |          |   |               |
| REV                | DESCRIPTION  | DATE       | APPROVED |   |               |
| E                  | 9793-1-000_E | 09/11/2013 |          |   |               |

NOTES:

- WEIGHT: 15 LB MAX.
- MATERIAL:
  - SHROUD: HIGH DENSITY POLYETHYLENE (TYP WALL THICKNESS .125")
  - SUPPORT HUB: CRS. POWDER COATED
  - SACK MATERIAL: WOVEN POLYPROPYLENE GEOTEXTILE (GEOTEXT 117)
  - HARDWARE: ALUMINUM POP-RIVETS, CRS WASHERS
- PERFORMANCE CHARACTERISTICS (TYP):
  - DEBRIS CAPACITY: 1.7 CU-FT
  - FILTERED FLOW RATE: 984 GPM (2.2 CFS)
  - BYPASS FLOW RATE: 1059 GPM (2.4 CFS)
- MINIMUM REQUIRED CLEAR SPACE: 22" DIAMETER.
- PROTECTED BYPASS PREVENTS RE-SUSPENSION OF FLOATABLES.
- RECOMMENDED MINIMUM VAULT DEPTH: 2-IN BELOW SACK.
- TYPICAL INSTALLATION: REMOVE STORM GRATE, INSTALL ASSEMBLED CATCH BASIN DIRECTLY ON GRATE SUPPORT LEDGE, REINSTALL STORM GRATE.
- USE ONLY FABCO REPLACEABLE SACK ASSEMBLY. P/N: 9793-1-200.



| NO  | QTY       | PART NUMBER  | DESCRIPTION  | REMARKS  |
|---|-----------|--|--------------|--|
| <b>BILL OF MATERIALS</b>  |           |  |              |  |
| UNLESS OTHERWISE SPECIFIED<br>REMOVE ALL BURRS<br>BREAK SHARP EDGES .002 - .020<br>FILLETS .020 MAX<br>DIMENSIONS ARE IN INCHES AND<br>INCLUDE CHEMICALLY APPLIED<br>OR PLATED FINISHES |           | TOLERANCES:<br>DEC .00 ± .01<br>DEC .000 ± .005<br>FRACT ± 1/16<br>ANGLE ± 2°<br>Ra FINISH 125 |              | APPROVALS  |
|   |           |  |              | DATE   |
|   |           | DWN N.NEUWIRTH   |              | 04/09/08   |
|   |           | CHKR R.MARSTON   |              | 9/11/12  |
|   |           | ENGR J. PETERS   |              | 04/09/08   |
| MATERIAL  |           | SEE NOTES  |              | APVD   |
| MODEL LINK  |           | 9793-1_ASSY1   |              | FABCO INDUSTRIES, INC.<br>66 CENTRAL AVENUE<br>FARMINGDALE, NY 11735<br>WWW.FABCO-INDUSTRIES.COM |
|   |           | TITLE  |              | <b>fabco</b><br><i>industries inc</i>  |
|   |           | STORMSOK SHORT, 24" ROUND  |              |  |
| SIZE  | CAGE CODE | DWG NO   | REV          |  |
| D   | 1P8A4     | 9793-1-000   | E            |  |
| SCALE 1:4   |           | WT   | SHEET 1 OF 1 |  |