

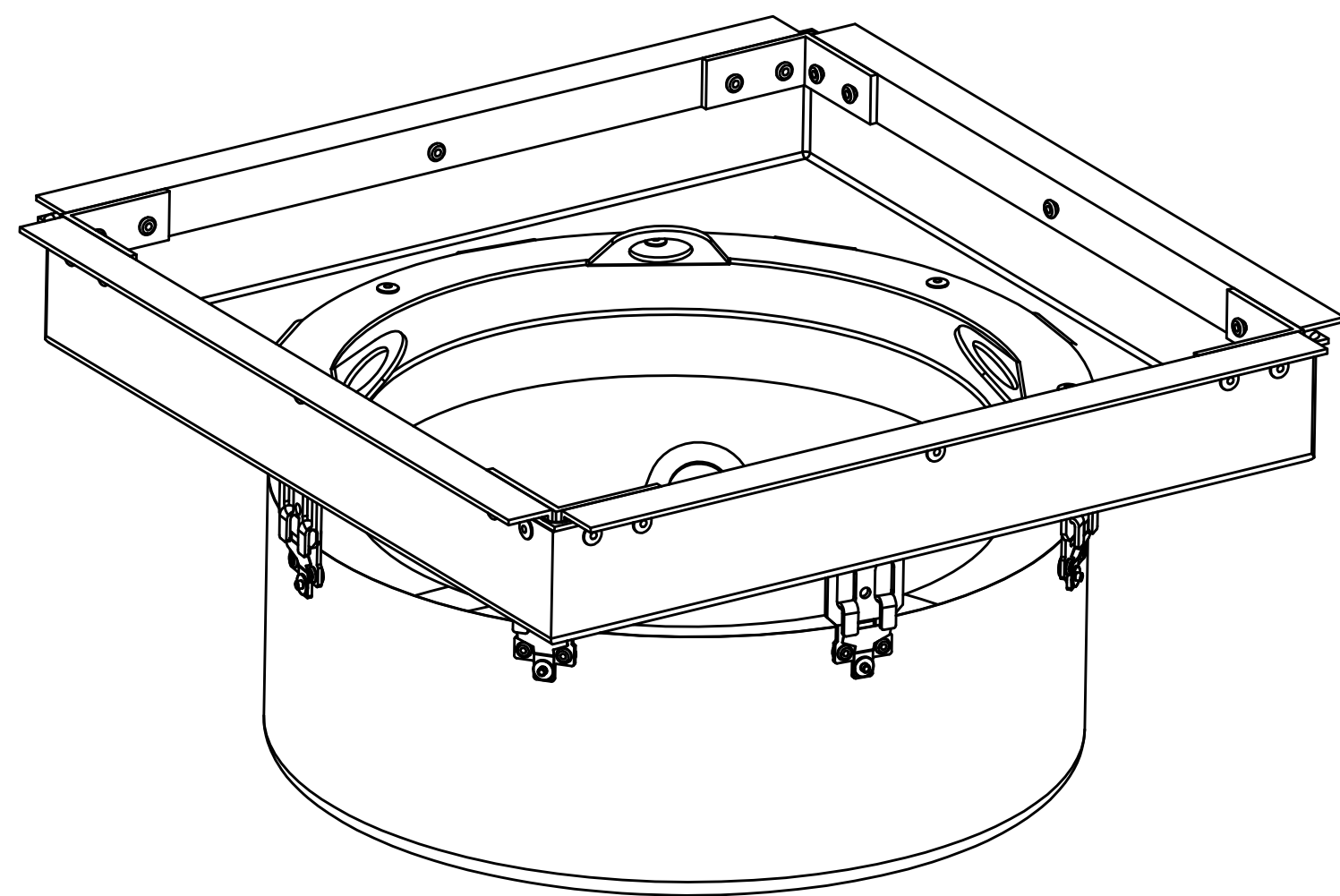
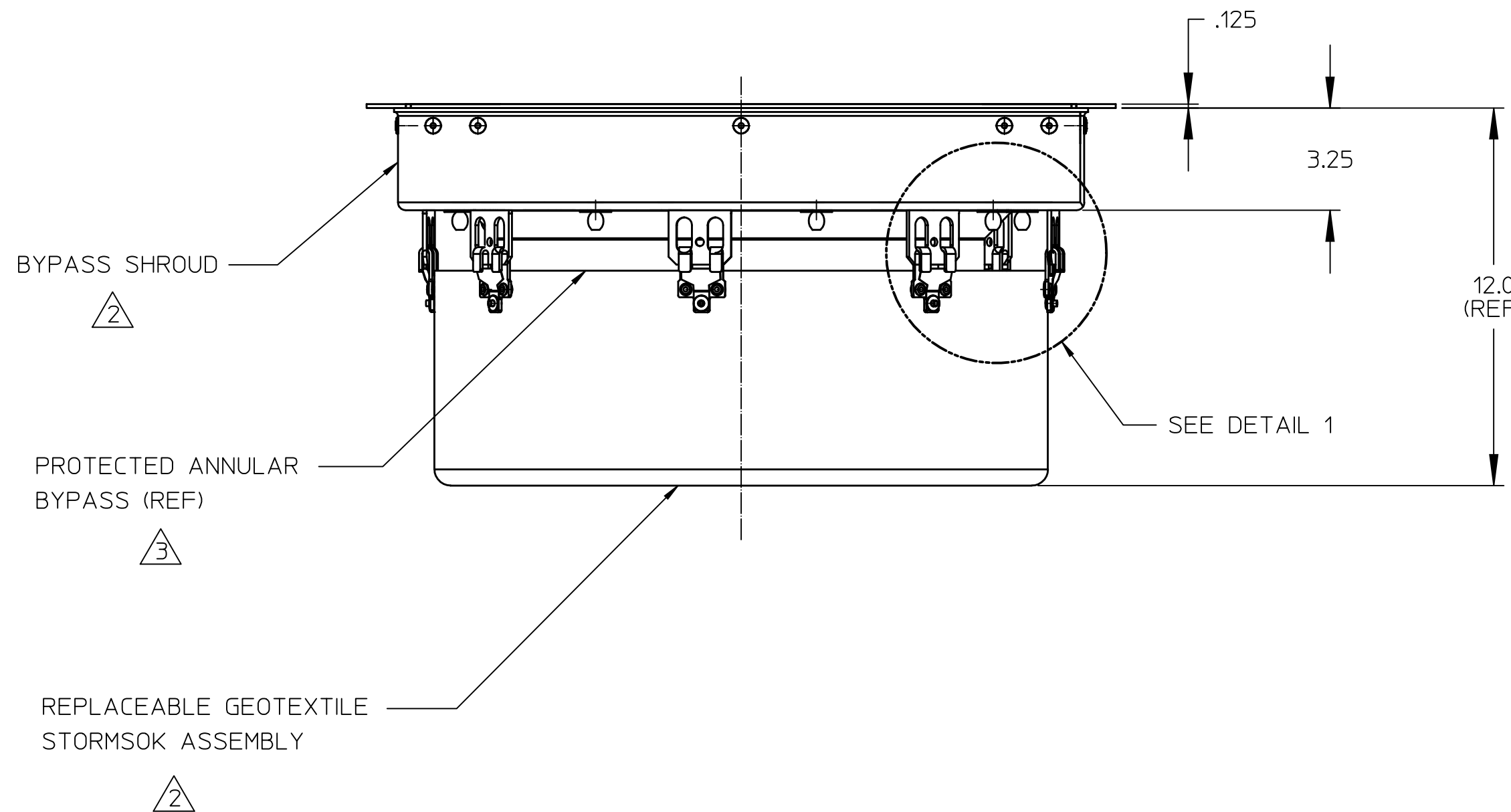
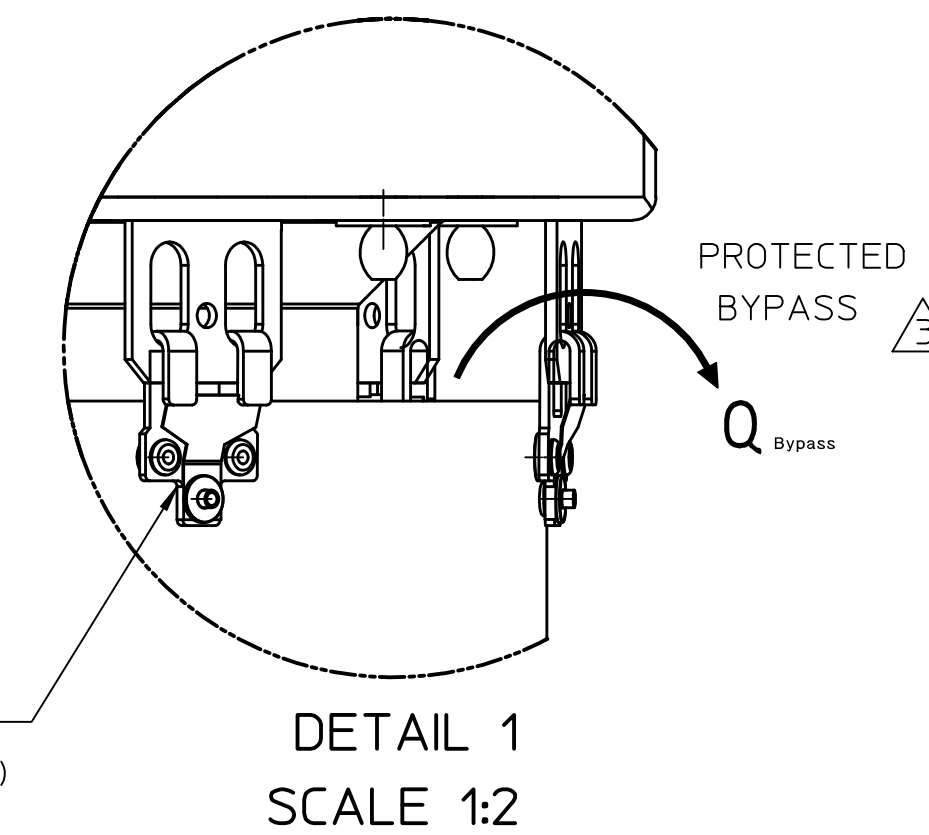
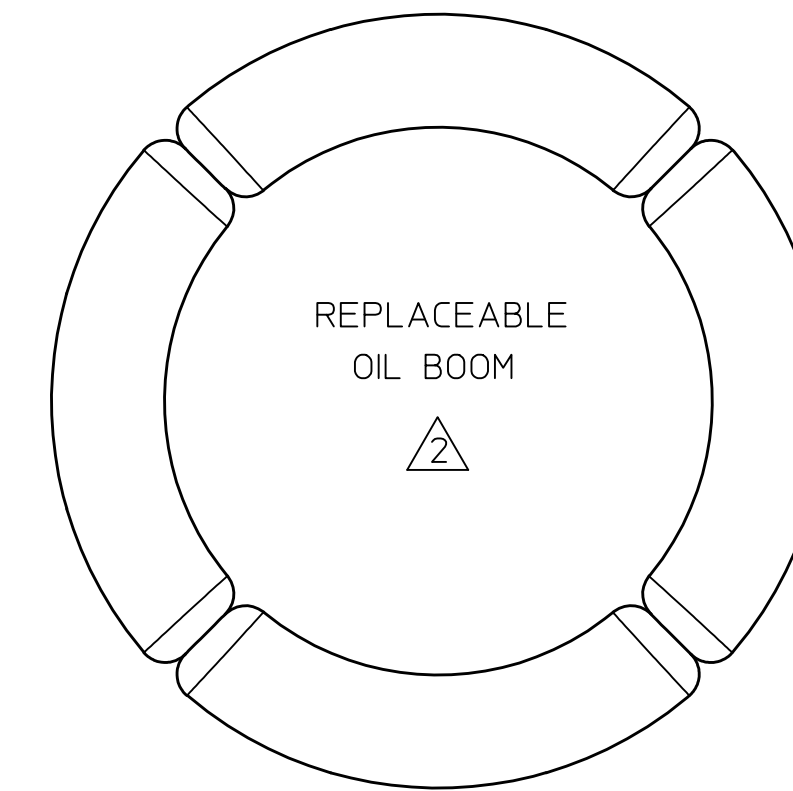
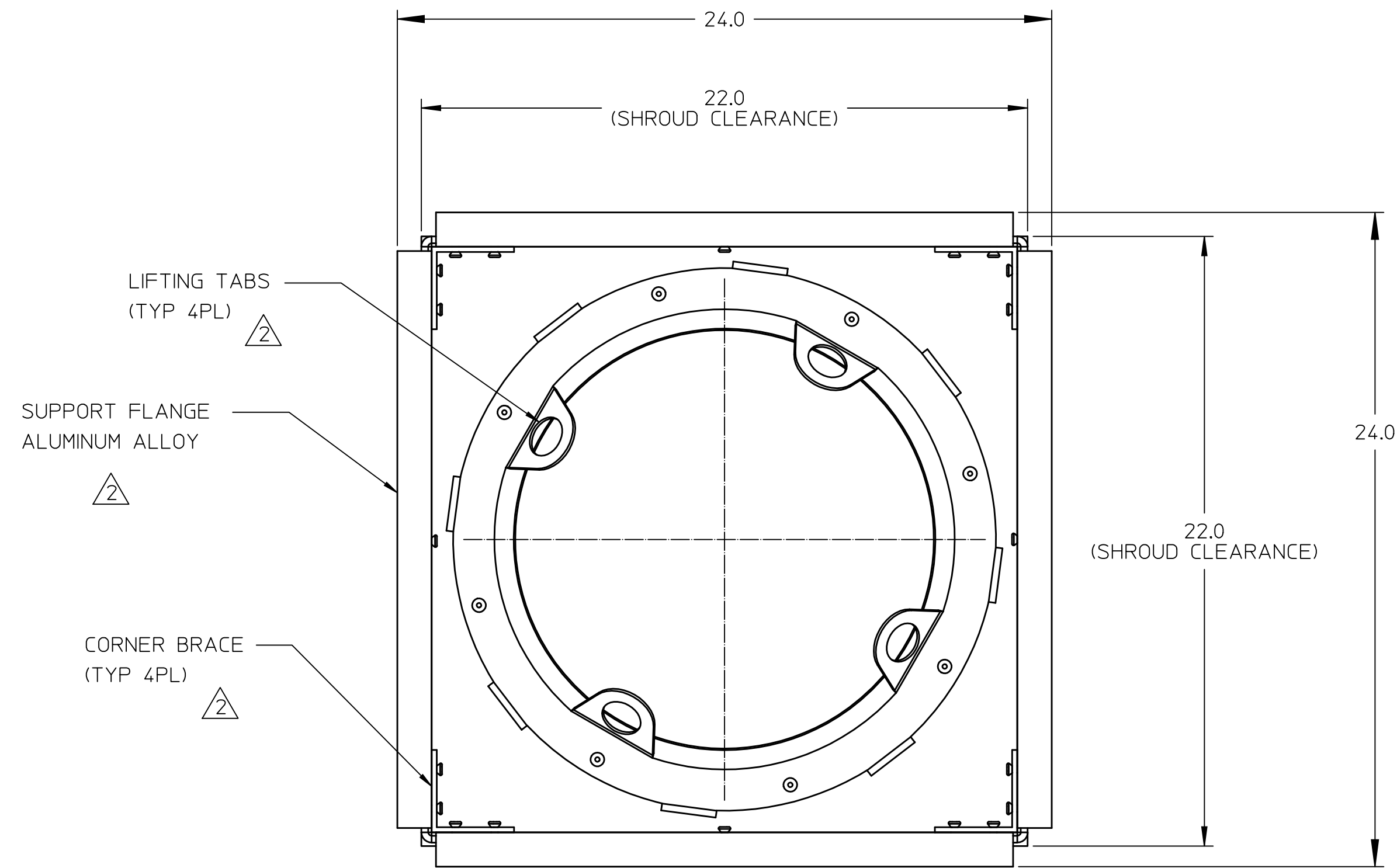
THIS DOCUMENT IS THE PROPERTY OF FABCO INDUSTRIES AND IS CONVEYED WITH THE EXPRESS CONDITION THAT IT AND THE INFORMATION CONTAINED IN IT ARE NOT TO BE USED, DISCLOSED, OR REPRODUCED IN WHOLE OR IN PART, FOR ANY PURPOSE WITHOUT THE EXPRESS WRITTEN CONSENT OF FABCO INDUSTRIES, AND THAT NO RIGHT IS GRANTED TO DISCLOSE OR SO USE ANY INFORMATION CONTAINED IN SAID DOCUMENT.

FORM FAB-002

REVISIONS			
REV	DESCRIPTION	DATE	APPROVED
C	ECN9795-1-000C	9/11/2013	

NOTES:

1. WEIGHT (EMPTY): 20 LB MAX
2. MATERIAL:
 - A) SUPPORT FLANGE: ALUMINUM ALLOY 6063-T6
 - B) STORMSOK: WOVEN GEOTEXTILE, 20 US-MESH
 - C) BYPASS SHROUD: HDPE (0.125 WALL)
 - D) LIFTING TABS/HUB: CRS, POWDER COATED
 - E) CORNER BRACE: ALUMINUM ALLOY 6063-T6
 - F) SUPPORT HARDWARE: ALUMINUM RIVETS, 1/4"
 - G) REPLACEABLE OIL BOOM: POLYPROPYLENE 3" DIA
3. PERFORMANCE CHARACTERISTICS (TYP):
 - A) DEBRIS CAPACITY: 1.2 CU-FT
 - B) FILTERED (CLEAN) FLOW RATE: 984 GPM (2.2 CFS)
 - C) BYPASS FLOW RATE: 1059 GPM (2.4 CFS)
 - D) OIL BOOM ABSORPTION CAPACITY: 200 OZ (1.5 GAL)
4. MINIMUM REQUIRED CLEAR SPACE: 22" X 22"
5. RECOMMENDED MINIMUM VAULT DEPTH 2-IN BELOW STORMSOK
6. TYPICAL INSTALLATION: REMOVE STORM GRATE, REST STORMSOK SUPPORT FLANGES ON GRATE SUPPORT LEDGE. REINSTALL THE STORM GRATE DIRECTLY ON THE STORMSOK SUPPORT FLANGES.
7. USE ONLY WITH FABCO REPLACEABLE STORMSOKS, P/N: 9780-2S-200



NO	QTY	PART NUMBER	DESCRIPTION	REMARKS
BILL OF MATERIALS				
UNLESS OTHERWISE SPECIFIED		TOLERANCES:		
REMOVE ALL BURRS		DEC .00 ± .01		
BREAK SHARP EDGES .002 - .020		DEC .000 ± .005		
FILLETS .020 MAX		FRAC ± 1/16		
INCLUDE CHEMICALLY APPLIED OR PLATED FINISHES		Rg FINISH		
DO NOT SCALE THIS DRAWING				
APPROVALS		DATE		
DWN JPETERS		8/14/06		
CHKR				
ENGR JPETERS		8/14/06		
APVD				
MATERIAL		SEE NOTES		
MODEL LINK		9795-1_Assy2		
FABCO INDUSTRIES, INC.		66 CENTRAL AVENUE FARMINGDALE, NY 11735		
WWW.FABCO-INDUSTRIES.COM				
APPROVALS		DATE		
DWN JPETERS		8/14/06		
CHKR				
ENGR JPETERS		8/14/06		
APVD				
TITLE		STORMSOK, 24x24		
SIZE	CAGE CODE	DWG NO	REV	
D	1P8A4	9795-1-000	C	
SCALE 1/4	WT	SHEET 1 OF 1		

