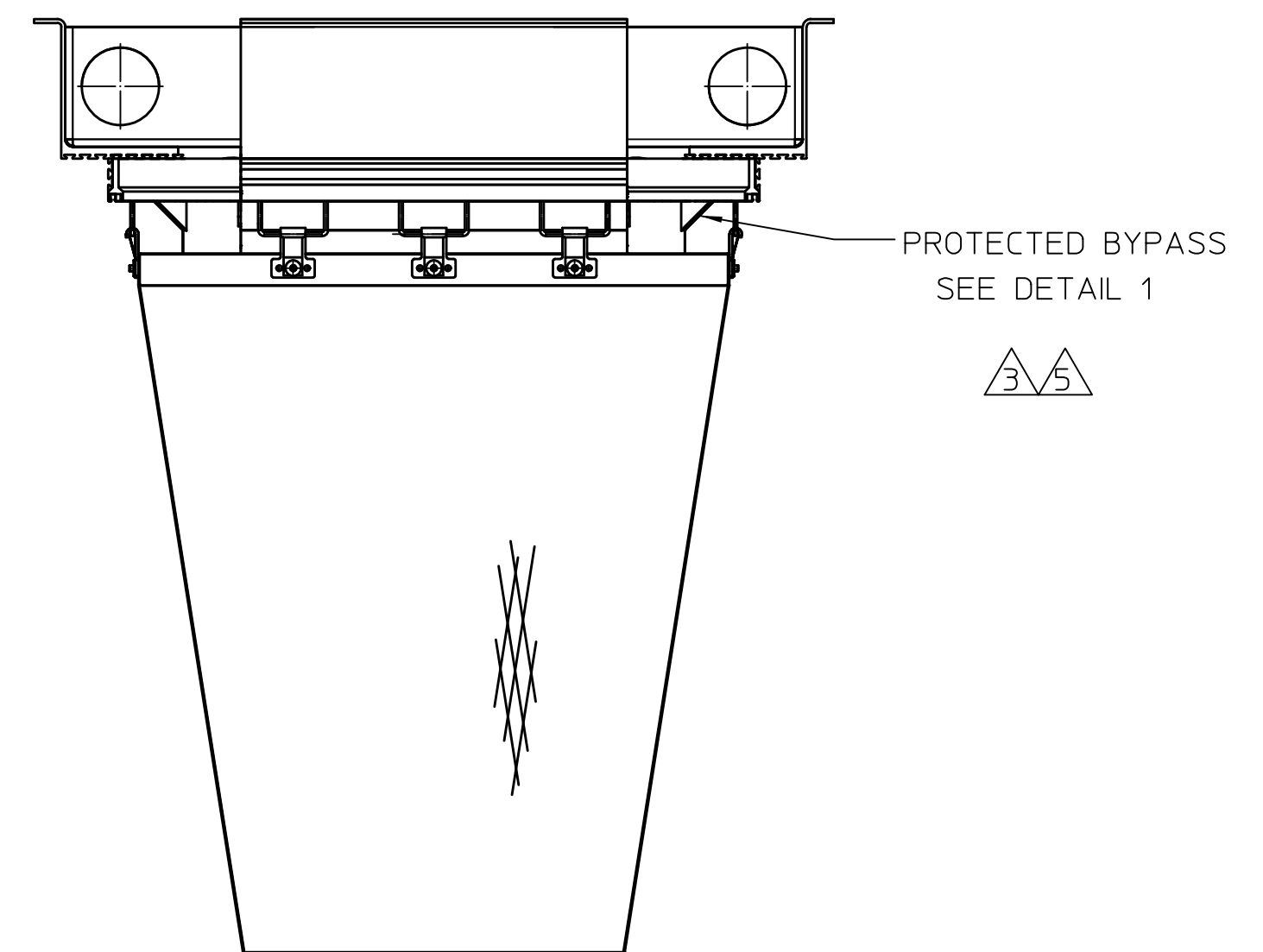
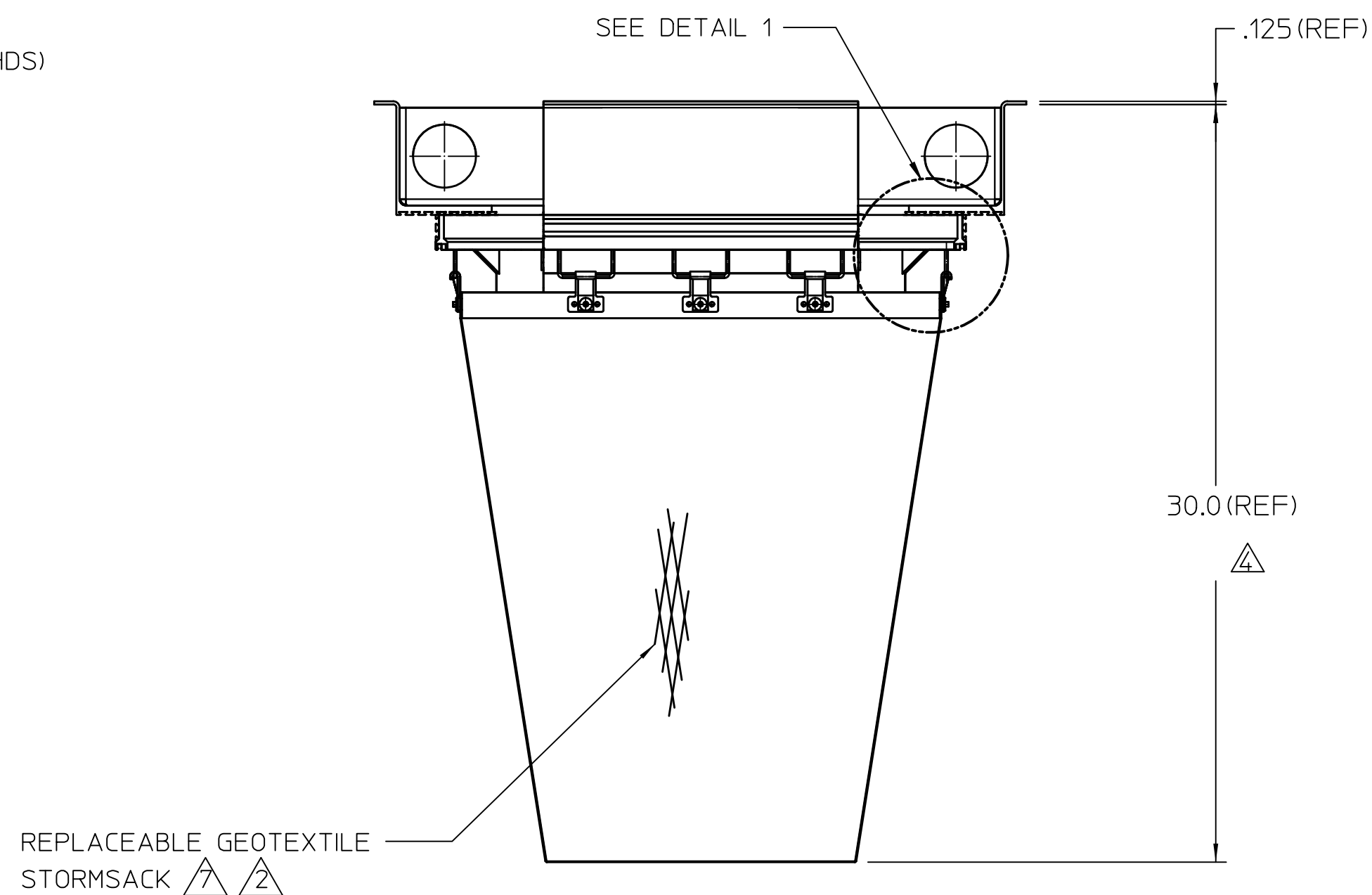
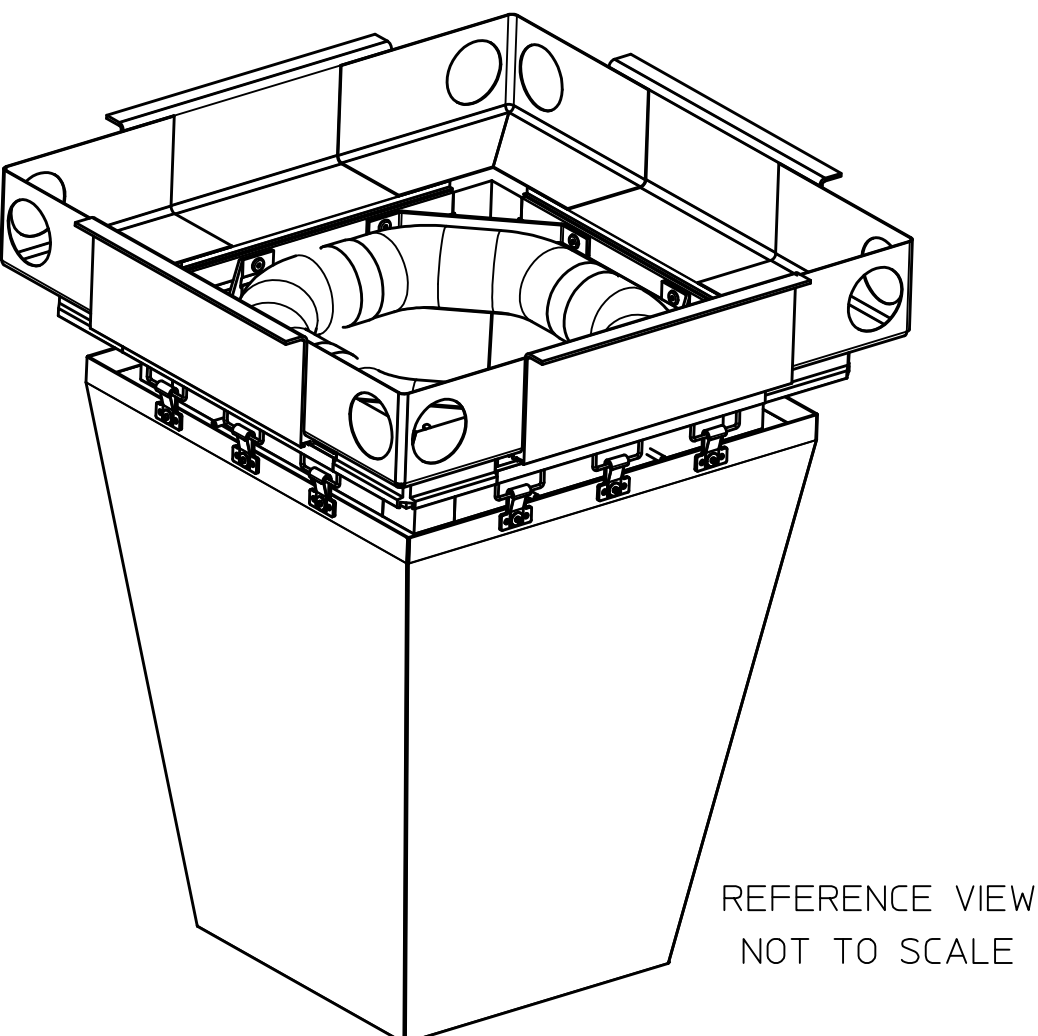
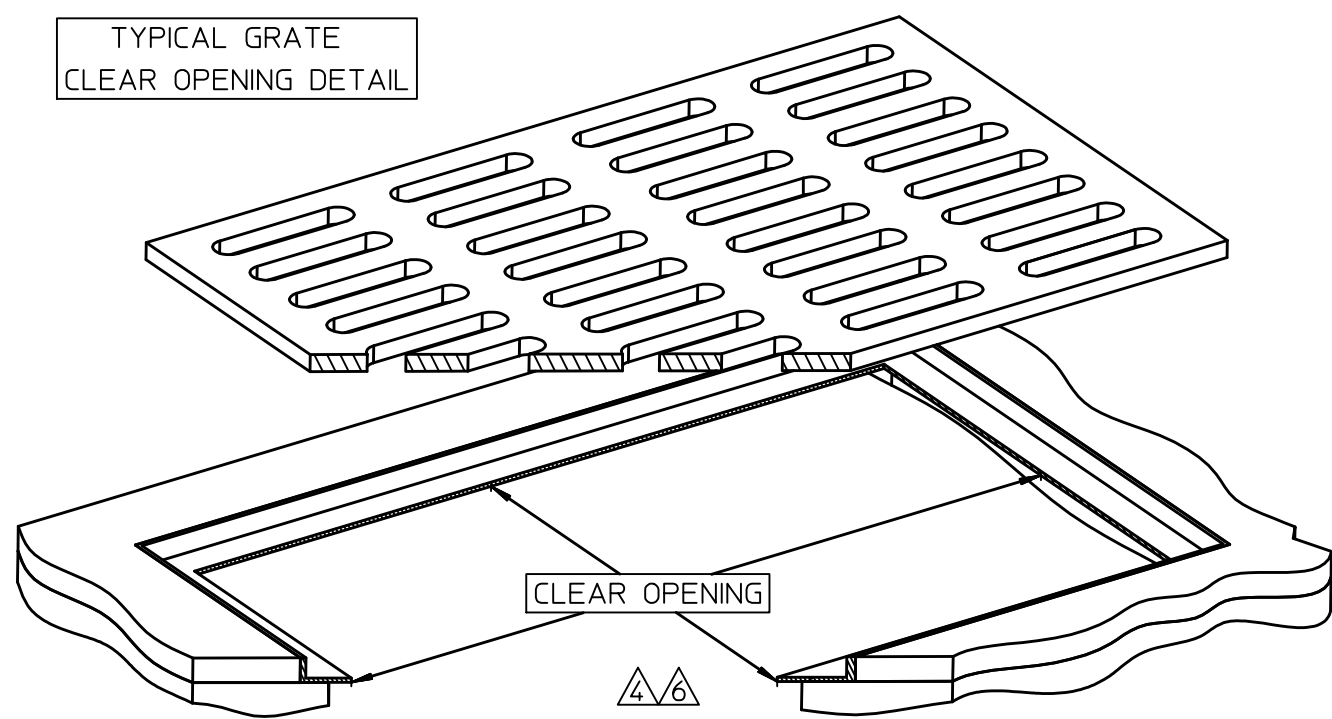
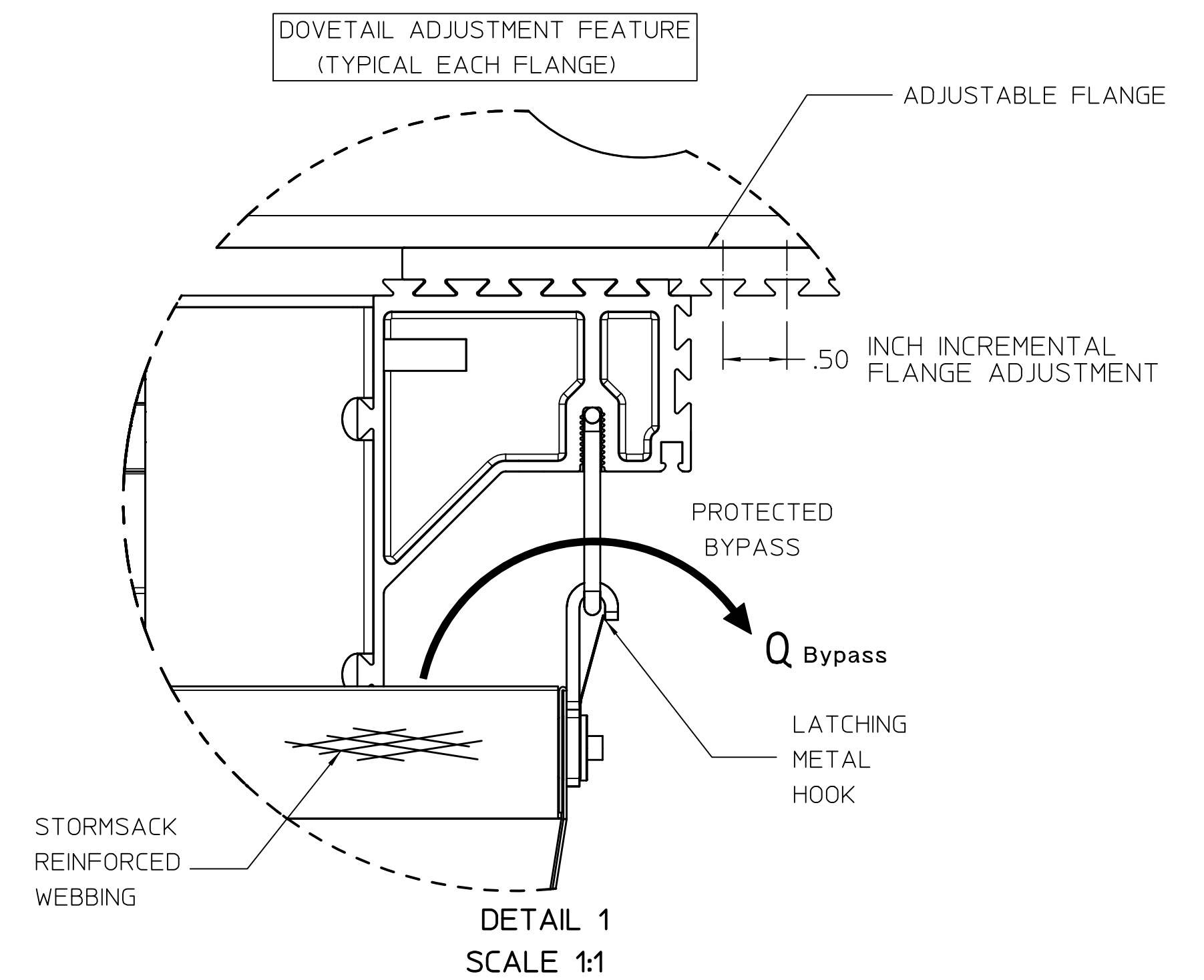
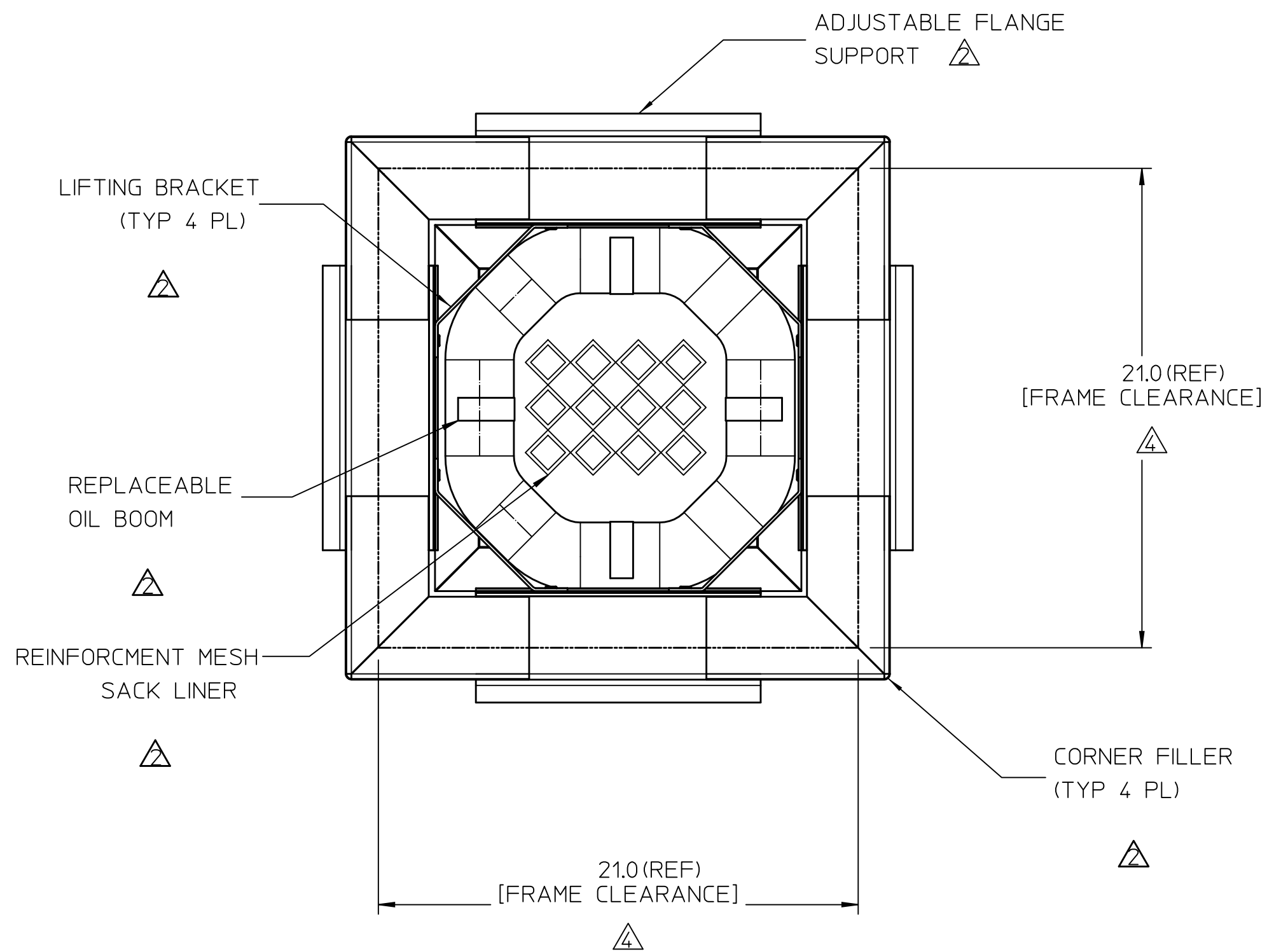


THIS DOCUMENT IS THE PROPERTY OF FABCO INDUSTRIES AND IS CONVEYED WITH THE EXPRESS CONDITION THAT IT AND THE INFORMATION CONTAINED IN IT ARE NOT TO BE USED, DISCLOSED, OR REPRODUCED IN WHOLE OR IN PART, FOR ANY PURPOSE WITHOUT THE EXPRESS WRITTEN CONSENT OF FABCO INDUSTRIES, AND THAT NO RIGHT IS GRANTED TO DISCLOSE OR SO USE ANY INFORMATION CONTAINED IN SAID DOCUMENT.

DWG NO. 9871-1C-000		REV. D	1	FORM FAB-003
REVISIONS				
REV	DESCRIPTION	DATE	APPROVED	
D	ECN9871-1C-000D	6/14/11		

NOTES:

- WEIGHT (EMPTY): 40 LB MAX
- MATERIAL:
 - ADJUSTABLE FLANGE AND DEFLECTOR: ALUMINUM ALLOY 6063-T6
 - STORMSACK: GEOTEX 117F, REINFORCEMENT MESH
 - CORNER FILLER: 5052-H32
 - LIFTING TABS: ALUMINUM ALLOY 5052-H32
 - SUPPORT HARDWARE: CRES 300 SERIES
 - OIL BOOM: POLYPROPYLENE, 3" DIAMETER
 - MESH LINER: HDPE, DIAMOND PATTERN
- PERFORMANCE CHARACTERISTICS (TYP):
 - DEBRIS CAPACITY: 3.2 CU-FT
 - FILTERED FLOW RATE (INITIAL): 2000 GPM (4.5 CFS)
 - PRIMARY BYPASS FLOW RATE: 1183 GPM (2.6 CFS)
 - SECONDARY BYPASS FLOW RATE: 328 GPM (.73 CFS)
 - TOTAL BYPASS FLOW RATE: 1500 GPM (3.5 CFS)
 - OIL ABSORPTION BOOM CAPACITY: 128 OZ (1.0 GAL)
- CLEAR OPENING RANGE (.5 INCREMENTS):
 - MINIMUM SIZE: 21.0 X 21.0
 - MAXIMUM SIZE: 26.0 X 26.0
 - MINIMUM RECOMMENDED VAULT DEPTH: 2-IN BELOW STORMSACK
- PROTECTED BYPASS PREVENT RE-SUSPENSION OF FLOATABLES
- TYPICAL INSTALLATION: REMOVE STORM GRATE, MEASURE CATCH BASIN CLEAR OPENING AND ADJUST FLANGES TO REST ON GRATE SUPPORT LEDGE, INSTALL CORNER FILL PIECES, REINSTALL STORM GRATE DIRECTLY ON STORMSACK SUPPORT FLANGES.
- USE ONLY FABCO REPLACEABLE STORMSACKS, FABCO PART NO.: 9871-1-200
- FOR EXTRA HEAVY DUTY SACK INCLUDE PART NUMBER EXTENSION HDS(E.G.,9871-1C-000-HDS)



NO	QTY	PART NUMBER	DESCRIPTION	REMARKS
BILL OF MATERIALS				
UNLESS OTHERWISE SPECIFIED REMOVE ALL BURRS BREAK SHARP EDGES .002 - .020 FILE'S .020 MAX DIMENSIONS ARE IN INCHES AND INCLUDE CHEMICALLY APPLIED OR PLATED FINISHES DO NOT SCALE THIS DRAWING		TOLERANCES: DEC .00 + .01 DEC .000 + .005 FRACT + 1/16 ANGLE + 2° Ra FINISH .05		APPROVALS DATE
		DWN R.MARSTON 1/5/11		
		CHKR R.MARSTON 6/14/11		
		ENGR J.PETERS 1/5/11		
MATERIAL		APVD		TITLE
SEE NOTES		FABCO INDUSTRIES, INC. 66 CENTRAL AVENUE FARMINGDALE, NY 11735 WWW.FABCO-INDUSTRIES.COM		STORMSACK, 21X21 CS
MODEL LINK		9871-1C_ASSY1		SIZE CAGE CODE DWG NO REV
				D 1P8A4 9871-1C-000 D
				SCALE 3/16 WT SHEET 1 OF 1