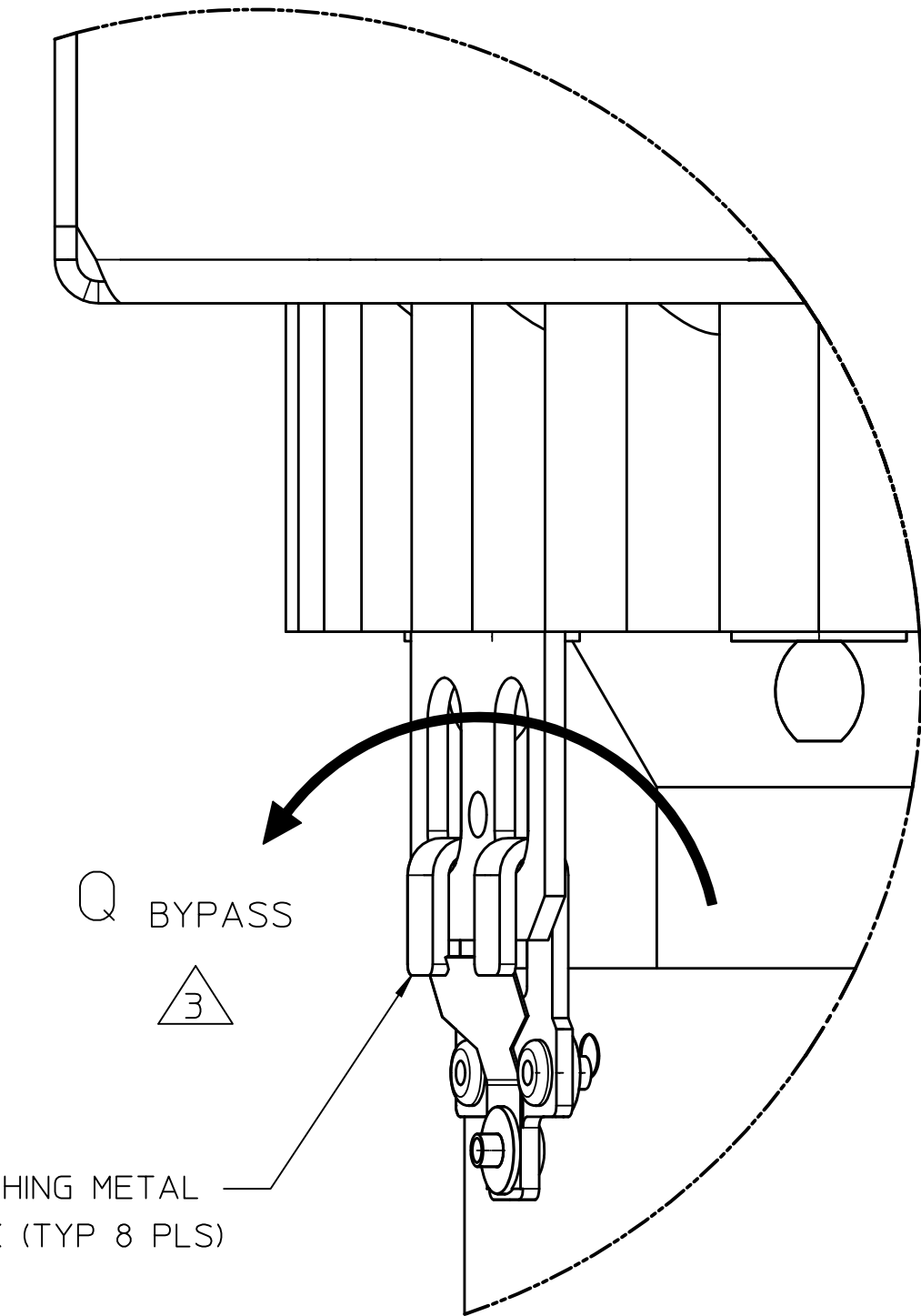
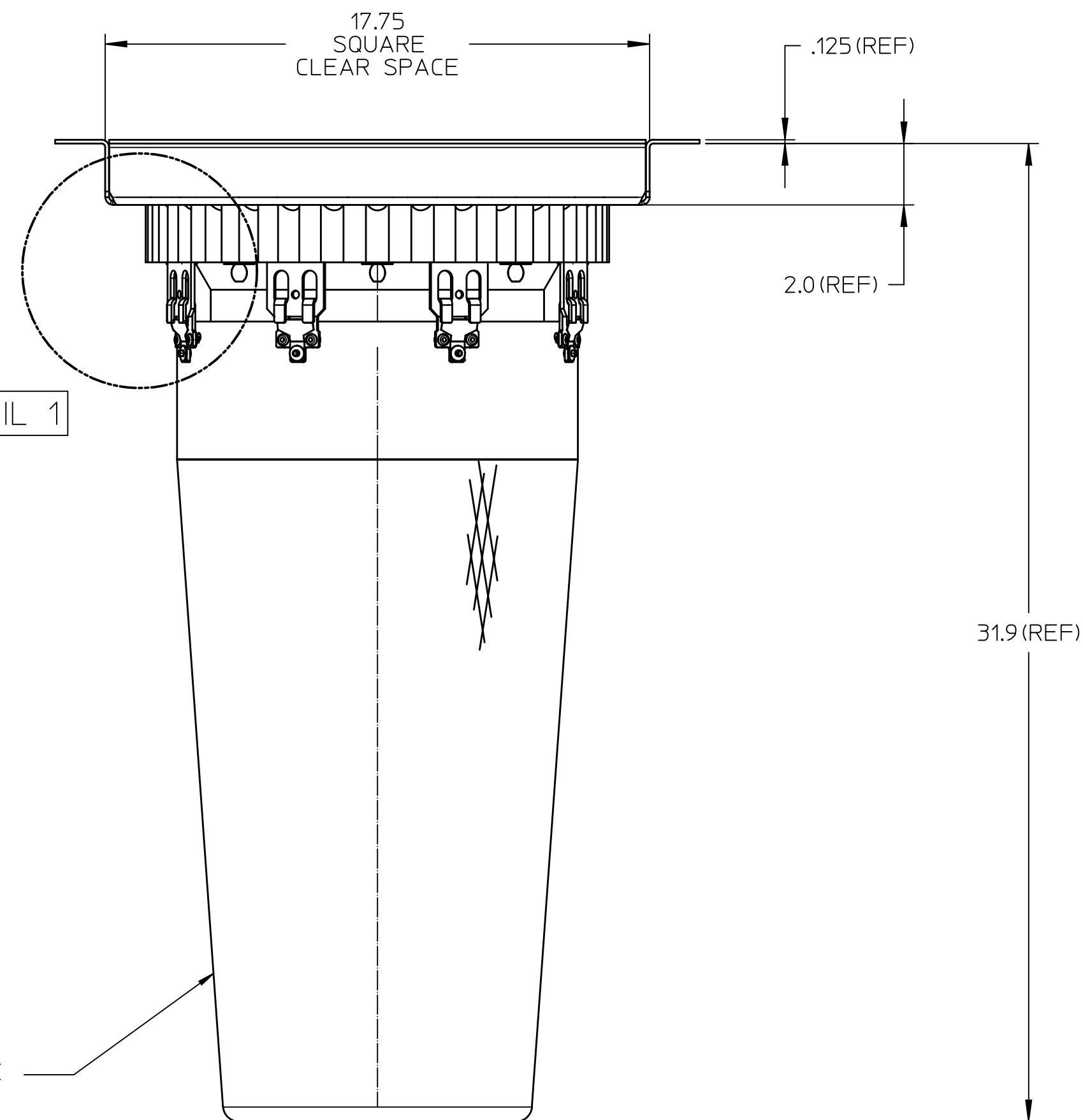
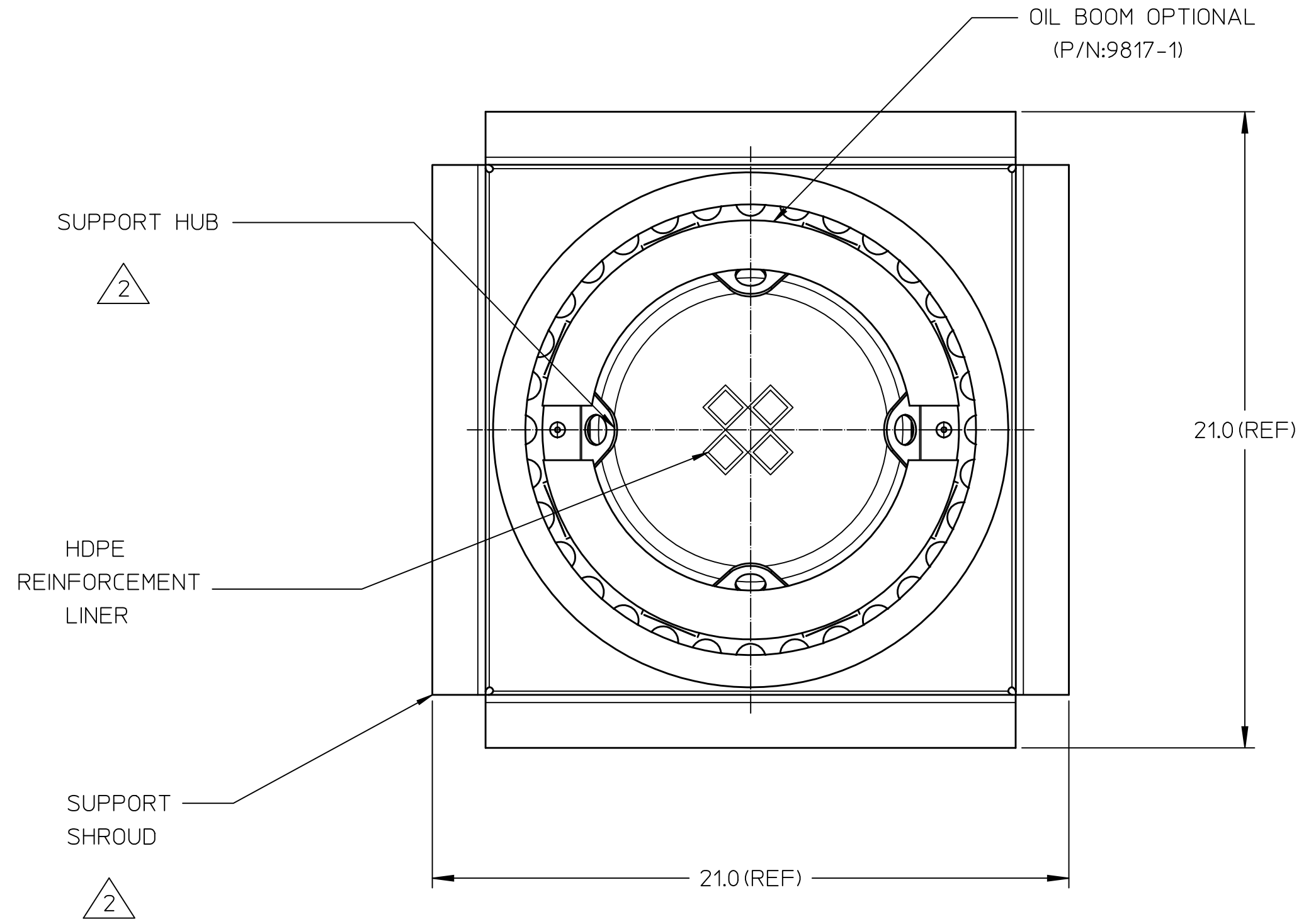


THIS DOCUMENT IS THE PROPERTY OF FABCO INDUSTRIES AND IS CONVEYED WITH THE EXPRESS CONDITION THAT IT AND THE INFORMATION CONTAINED IN IT ARE NOT TO BE USED, DISCLOSED, OR REPRODUCED IN WHOLE OR IN PART FOR ANY PURPOSE WITHOUT THE EXPRESS WRITTEN CONSENT OF FABCO INDUSTRIES, AND THAT NO RIGHT IS GRANTED TO DISCLOSE OR SO USE ANY INFORMATION CONTAINED IN SAID DOCUMENT.

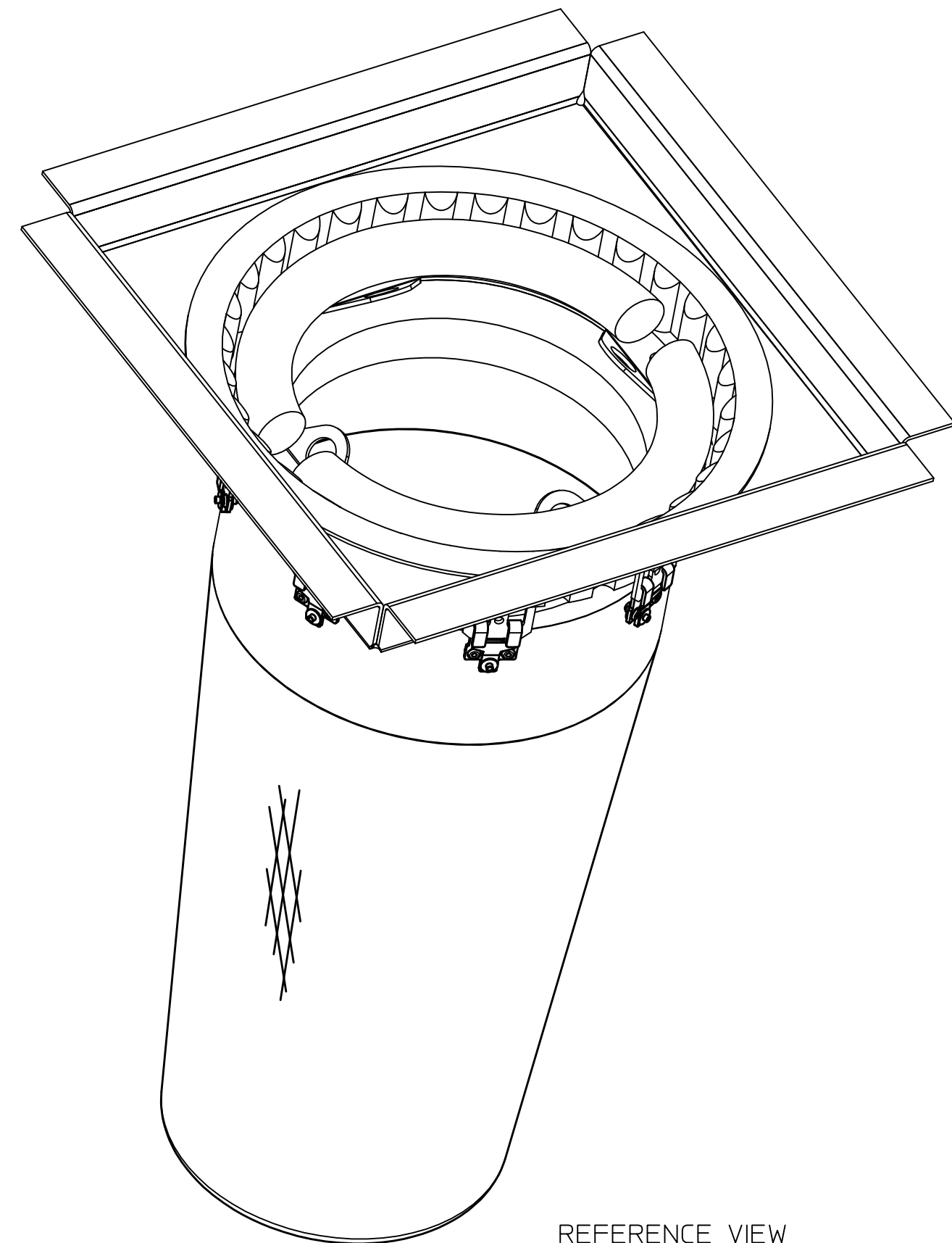
REVISIONS			
REV	DESCRIPTION	DATE	APPROVED
B	9901-1-000_B	6/18/12	

NOTES:

1. WEIGHT (EMPTY): 30 LB MAX
2. MATERIAL:
 - A) SHROUD: HIGH DENSITY POLYETHYLENE (TYP WALL THICKNESS .125")
 - B) SUPPORT HUB: CRS, POWDER COATED
 - C) STORMSACK: WOVEN POLYPROPYLENE GEOTEXTILE (GEOTEXT 117)
 - D) HARDWARE: ALUMINUM POP-RIVETS
 - E) SUPPORT SHROUD: ALUMINUM
3. PERFORMANCE CHARACTERISTICS (TYP):
 - A) DEBRIS CAPACITY: 1.65 CU-FT
 - B) FILTERED FLOW RATE: 1440 GPM (2.5 CFS)
 - C) BYPASS FLOW RATE: 445 GPM (1.0 CFS)
4. PROTECTED BYPASS PREVENTS RE-SUSPENSION OF FLOATABLES
5. RECOMMENDED MINIMUM VAULT DEPTH: 2-IN BELOW STORM-SOK
6. TYPICAL INSTALLATION: REMOVE STORM GRATE, REST ALUMINUM SHROUD ON GRATE SUPPORT LEDGE, REINSTALL STORM GRATE DIRECTLY ON STORM-SOK SUPPORT SHROUD.
7. USE ONLY WITH FABCO REPLACEABLE STORM-SOK, P/N: 9780-1-200



DETAIL 1
SCALE 1:1



NO	QTY	PART NUMBER	DESCRIPTION	REMARKS
BILL OF MATERIALS				
UNLESS OTHERWISE SPECIFIED		TOLERANCES:		
REMOVE ALL BURRS		DEC .00 ± .01		
BREAK SHARP EDGES .002 - .020		DEC .000 ± .005		
FILLETS .020 MAX		FRACT ± 1/16		
DIMENSIONS ARE IN INCHES AND		ANGLE ± 2°		
INCLUDE CHEMICALLY APPLIED		R _a FINISH 125		
OR PLATED FINISHES				
DO NOT SCALE THIS DRAWING				
MATERIAL		APPROVALS		
SEE NOTES		DWN R.MARSTON		DATE 2/1/11
MODEL LINK		ENGR J.PETERS		DATE 2/1/11
9901-1_ASSY		APVD		
		FABCO INDUSTRIES, INC. 66 CENTRAL AVE FARMINGDALE, NY 11735 WWW.FABCO-INDUSTRIES.COM		
TITLE		fabco <i>industries inc</i>		
STORM SOK, 18X18CS		SCALE 1/4" WT		
SIZE D	CAGE CODE 1P8A4	DWG NO 9901-1-000	REV B	SHEET 1 OF 1