

StormBasin sizes & capacities

The StormBasin is available in 18 basic sizes which come supplied with an adjustable flange. To select the correct product for your needs the size should be taken from the catch basin grate. Example; a 24" x 48" grate would require a 9730-1 part number, then add the installation kit letter for a deep flange "C", therefore your final part number would be 9730-1C.*

Width from 21" to 24"

Width from 25" to 30"

Width from 31" to 36"

Length from 27" to 31"

Part Number	9730-6X	Part Number	9731-6X
Basin size:	18" x 24"	Basin size	22" x 24"
Number of cartridges	1	Number of cartridges	1
Filtered flow rate	115gpm	Filtered flow rate	115gpm
Bypass flow rate	1167gpm	Bypass flow rate	1346gpm
Debris capacity	2.0 cubic ft	Debris capacity	2.5 cubic ft

Length from 32" to 35"

Part Number	9730-5X	Part Number	9731-5X
Basin size:	18" x 28"	Basin size:	22" x 28"
Number of cartridges	1	Number of cartridges	1
Filtered flow rate	115gpm	Filtered flow rate	115gpm
Bypass flow rate	1364gpm	Bypass flow rate	1481gpm
Debris capacity	2.4cubic ft	Debris capacity	3.0 cubic ft

Length from 36" to 38"

Part Number	9730-4X	Part Number	9731-4X
Basin size:	18" x 32"	Basin size:	22" x 32"
Number of cartridges	1	Number of cartridges	1
Filtered flow rate	115gpm	Filtered flow rate	115gpm
Bypass flow rate	1436gpm	Bypass flow rate	1571gpm
Debris capacity	2.8 cubic ft	Debris capacity	3.6 cubic ft

Length from 39" to 43"

Part Number	9730-3X	Part Number	9731-3X	Part Number	9733-3X
Basin size:	18" x 36"	Basin size:	22" x 36"	Basin size	28" x 36"
Number of cartridges	2	Number of cartridges	2	Number of cartridges	2
Filtered flow rate	230gpm	Filtered flow rate	230gpm	Filtered flow rate	230gpm
Bypass flow rate	1706gpm	Bypass flow rate	1885gpm	Bypass flow rate	1885gpm
Debris capacity	3.2 cubic ft	Debris capacity	4.0 cubic ft	Debris capacity	5.8 cubic ft

Length from 44" to 47"

Part Number	9730-2X	Part Number	9731-2X	Part Number	9733-2X
Basin size:	18" x 40"	Basin size:	22" x 40"	Basin size	28" x 40"
Number of cartridges	2	Number of cartridges	2	Number of cartridges	2
Filtered flow rate	230gpm	Filtered flow rate	230gpm	Filtered flow rate	230gpm
Bypass flow rate	1795gpm	Bypass flow rate	1975gpm	Bypass flow rate	1930gpm
Debris capacity	3.6 cubic ft	Debris capacity	4.5 cubic ft	Debris capacity	6.4 cubic ft

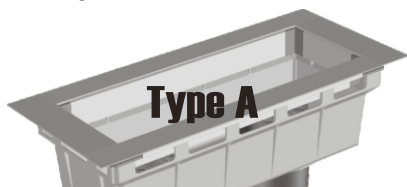
Length from 48" to 52"

Part Number	9730-1X	Part Number	9731-1X	Part Number	9733-1X
Basin size:	18" x 44"	Basin size:	22" x 44"	Basin size	28" x 44"
Number of cartridges	2	Number of cartridges	2	Number of cartridges	2
Filtered flow rate	230gpm	Filtered flow rate	230gpm	Filtered flow rate	230gpm
Bypass flow rate	1975gpm	Bypass flow rate	2110gpm	Bypass flow rate	2110gpm
Debris capacity	4.0 cubic ft	Debris capacity	5.0 cubic ft	Debris capacity	7.0 cubic ft

**Custom sizes available
ask for details**

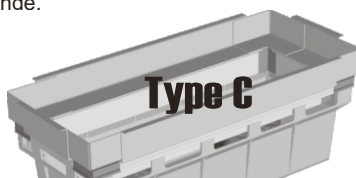
Flat adjustable flange

The StormBasin flat adjustable flange is designed for drop inlets with flat grate covers. It offers adjustment of up to 4" when installing in a catch basin.



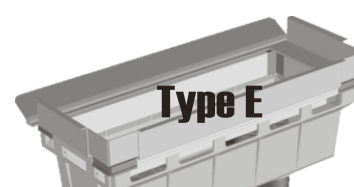
Deep adjustable flange

The StormBasin deep adjustable flange is designed for drop inlets with grate covers that are not flat on the under side. The deep flange offers similar adjustment as the flat flange.



Deep adjustable flange open curb

The StormBasin deep adjustable flange open curb is designed for combination drop /open curb inlets. The rear deflector redirects flow from the curb opening into the Stormbasin.



* The measurement guidance is based on the assumption of a 1" ledge around the catch basin frame.

StormBasin catch basin insert



Specifically designed to assist storm water managers in meeting NPDES II requirements:

- Designed for municipal catch basins
- Can function as stand alone BMP
- Protects structural BMP's
- Can be used to target specific pollutants

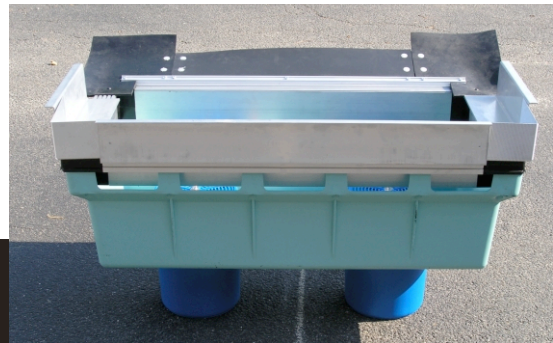
Fully featured and highly effective catch basin insert is designed to filter the full range of pollutants from storm water runoff, utilizing the leading filter technologies.

The StormBasin is available in over 400 sizes and comes as standard with a patented adjustable aluminum flange.

The StormBasin is supplied with our standard storm water cartridge. You can select from the complete range of filter cartridges if there are high concentrations of specific pollutants. (See our filtration media specifications)

The StormBasin standard storm water cartridge targets the following pollutants:

- Bacteria
- Sediments TSS
- Trash & Debris
- Hydrocarbons
- Herbicides
- Pesticides
- Oils and Grease
- Heavy Metals

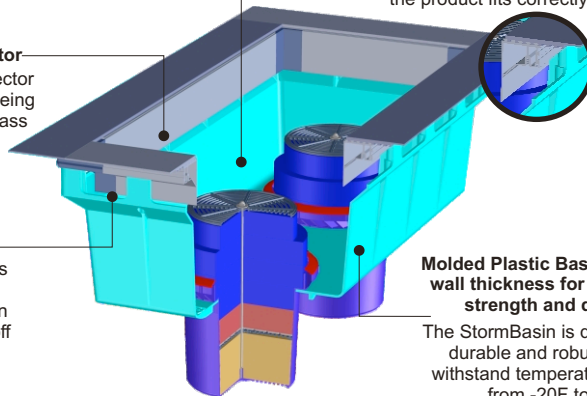


StormBasin features

Largest Trash & Debris Capacity in its Class
The StormBasin insert can hold up to 1000lbs or 7 cubic feet of debris, making it the highest

Trash & Debris Deflector
The trash and debris deflector prevents floatables from being released through the bypass

Protected Bypass
The protected bypass ports allow the StormBasin to function during a major rain event by allowing the run off



Replaceable Cartridges

Adjustable Flange
The adjustable flange allows for adjustment during fitting to ensure that the product fits correctly every time

Molded Plastic Basin with 0.210" wall thickness for unparalleled strength and durability

The StormBasin is designed to be durable and robust and can withstand temperatures ranging from -20F to 120F

Installation

The StormBasin fits into an existing catch basin resting on the catch basin frame. Depth requirement is only 28" and the unit can be installed in under 10 minutes



The StormBasin is supplied with our standard filter cartridge which is configured to effectively treat a broad spectrum of pollutants commonly associated with surface runoff: sediments/debris, bacteria/pathogens, oils/hydrocarbons, heavy metals. The standard cartridge is ideal for medium traffic volume roadways and small parking fields especially when located near sensitive waterways.

For more information on our range of specialized cartridges visit our web site.

