

**FOCALPOINT HP PERFORMANCE SPECIFICATION:**

**HIGH PERFORMANCE MEDIA**

HIGH PERFORMANCE MEDIA MUST MEET A MINIMUM OF 100" PER HOUR INFILTRATION RATE. FIELD HYDRAULIC CONDUCTIVITY TESTING MUST BE CONDUCTED WITHIN 30 DAYS OF INSTALLATION. FIELD TEST MUST BE CONDUCTED WITH PROSCRIBED INFILTROMETER AND SOP (SEE SPECIFICATION). FAILURE TO MEET FIELD TESTING WILL RESULT IN THE REMOVAL OF MEDIA AND REPLACEMENT FROM ALTERNATE BATCH.

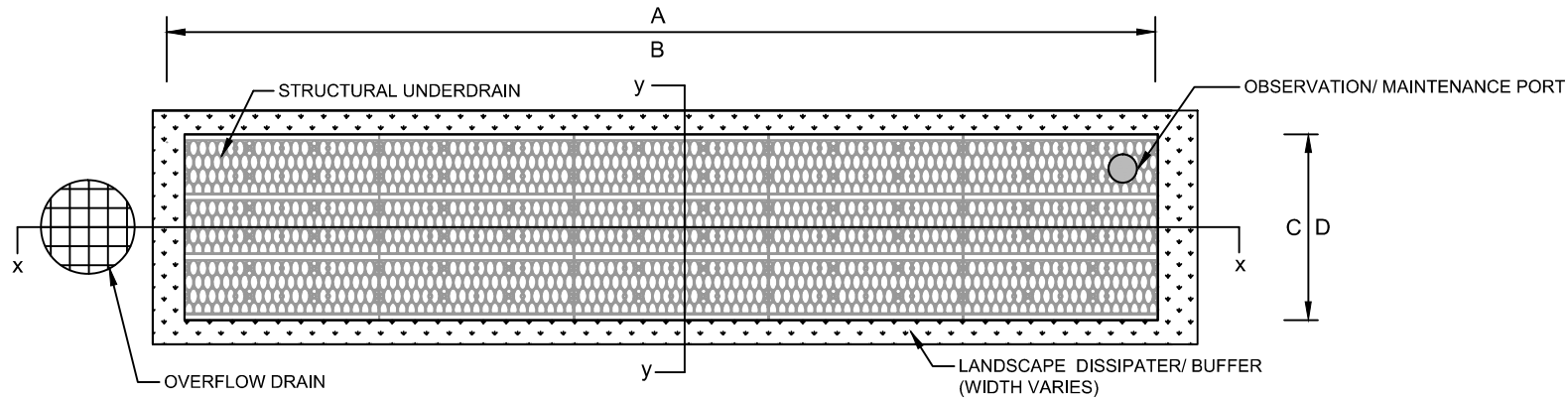
**HIGH PERFORMANCE STRUCTURAL UNDERDRAIN**

MUST HAVE A MINIMUM OF 19 SQUARE INCHES OF ORIFICE OPENING PER SQUARE FOOT. MUST MEET H2O LOADING REQUIREMENTS. MUST BE MODULAR IN NATURE AND ASSEMBLED ON SITE. MUST HAVE MINIMUM 90% INTERIOR VOID SPACE.

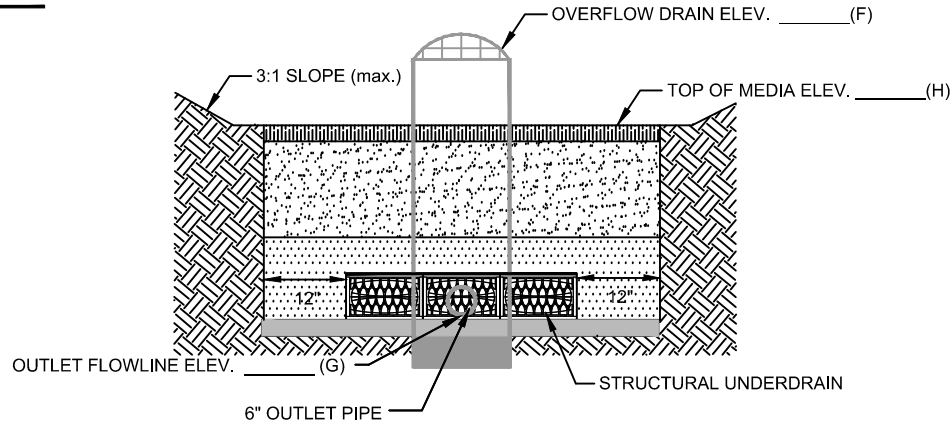
**FOCALPOINT HP CONSTRUCTION GUIDE**

A	FOCALPOINT LENGTH	
B	# UNDERDRAIN LONG	
C	FOCALPOINT WIDTH	
D	# UNDERDRAIN WIDE	
E	WATER QUALITY VOLUME	
F	OVERFLOW ELEVATION	
G	OUTLET FLOWLINE	
H	TOP OF MEDIA	
I	TOP OF GABION (OPTIONAL)	

**PLAN VIEW**



**SECTION Y-Y**

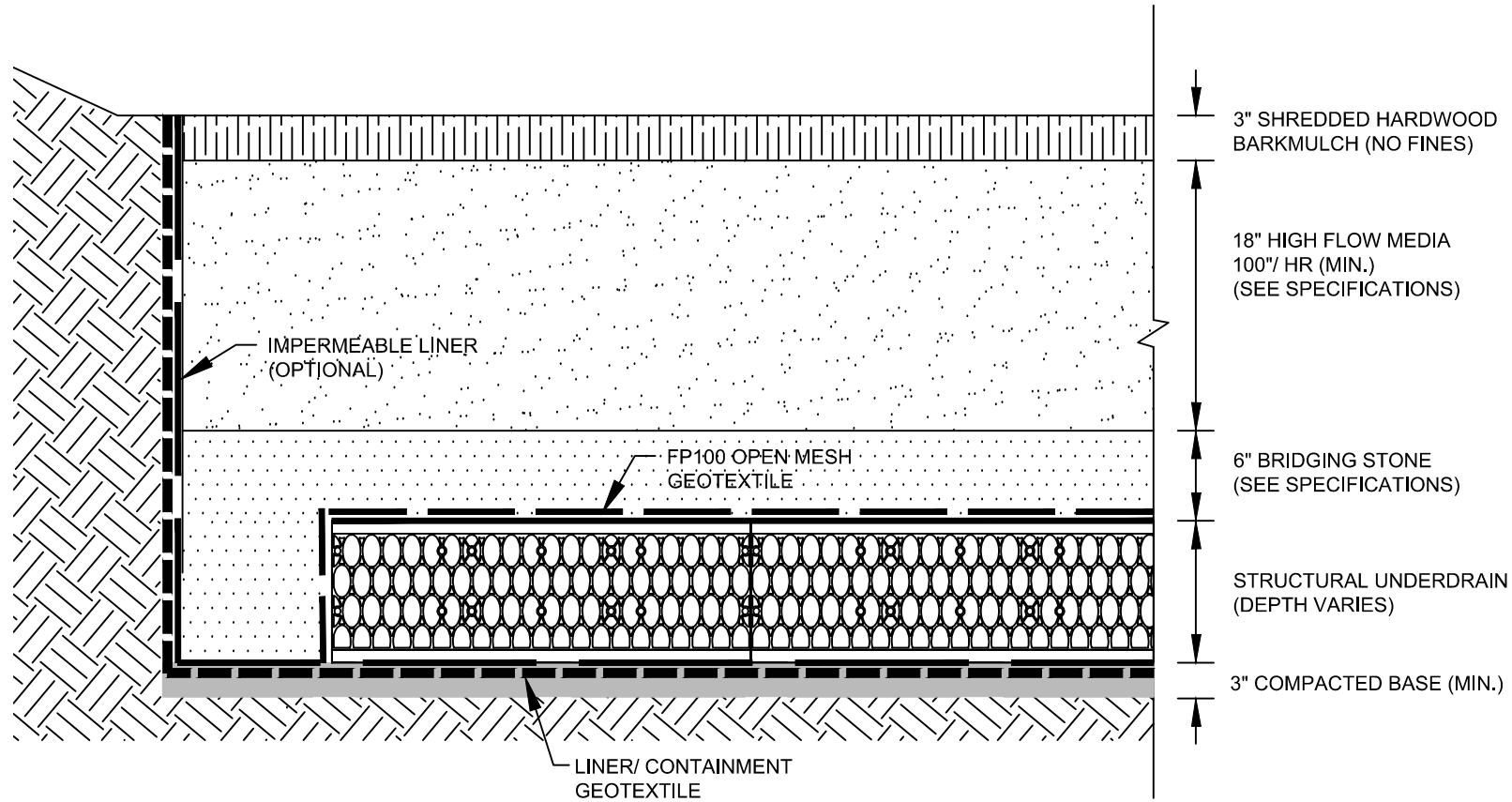


**FOCALPOINT HP CONSTRUCTION GUIDE**



TO FIND A VALUE ADDED RESELLER IN YOUR AREA VISIT  
[WWW.CONVERGENTWATER.COM/STORMWATER-PRODUCTS](http://WWW.CONVERGENTWATER.COM/STORMWATER-PRODUCTS) OR CONTACT  
 CONVERGENT WATER TECHNOLOGIES AT 800.771.5428



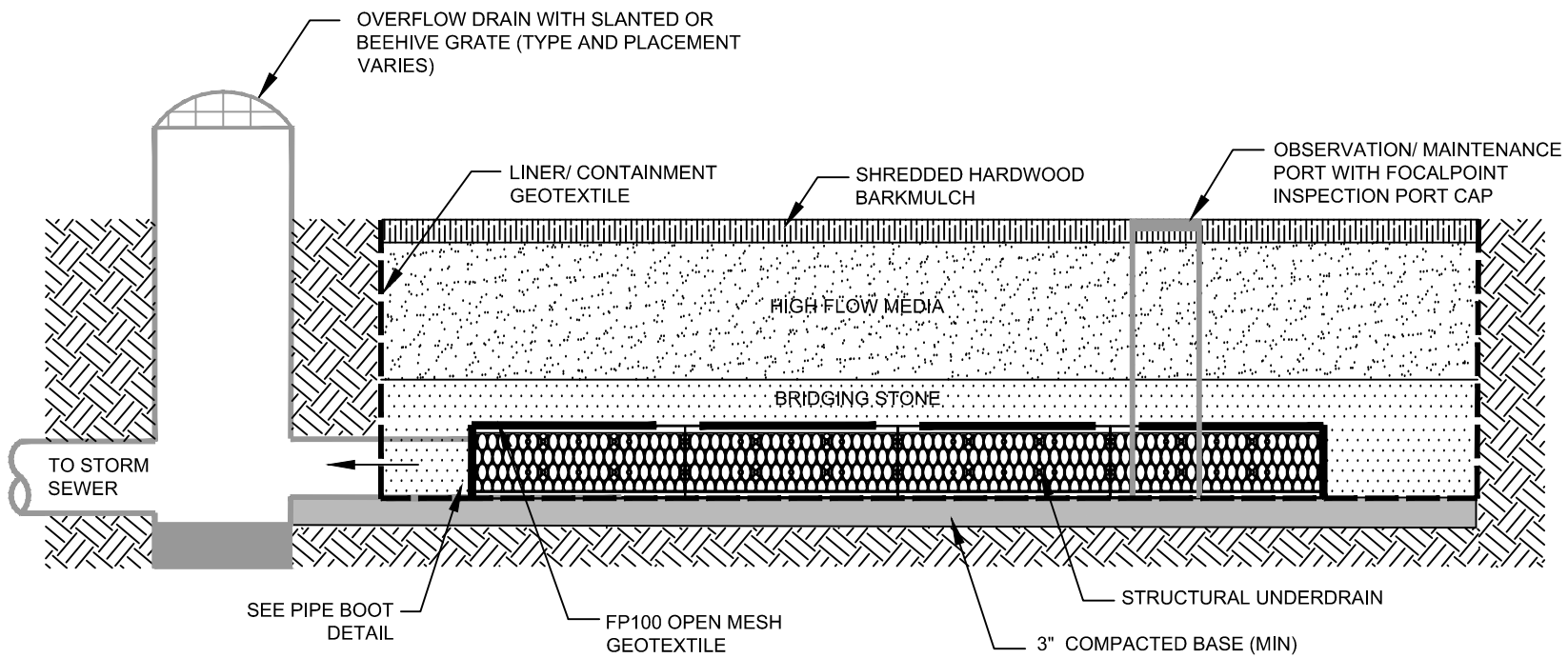


**FOCALPOINT HP DETAILED CROSS SECTION**



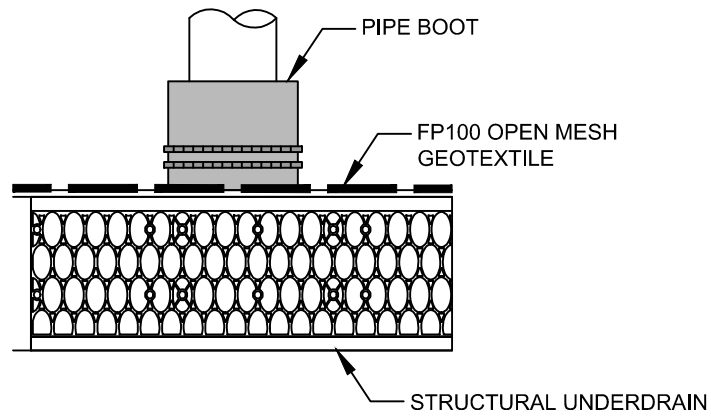
TO FIND A VALUE ADDED RESELLER IN YOUR AREA VISIT  
[WWW.CONVERGENTWATER.COM/STORMWATER-PRODUCTS](http://WWW.CONVERGENTWATER.COM/STORMWATER-PRODUCTS) OR CONTACT  
 CONVERGENT WATER TECHNOLOGIES AT 800.771.5428



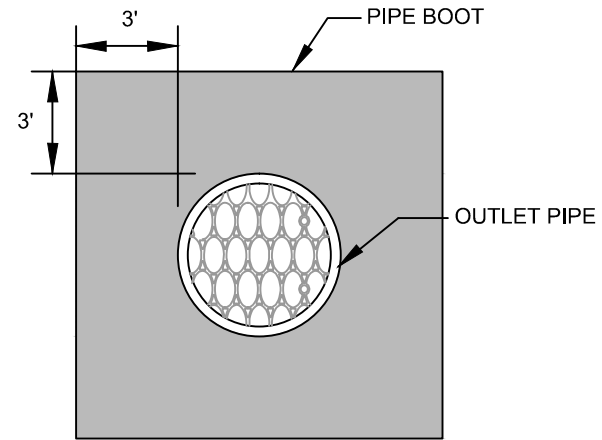


## FOCALPOINT HP SECTION X-X

### OBSERVATION/ MAINTENANCE PORT CONNECTION

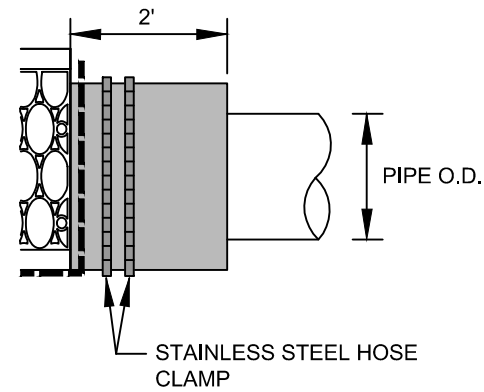
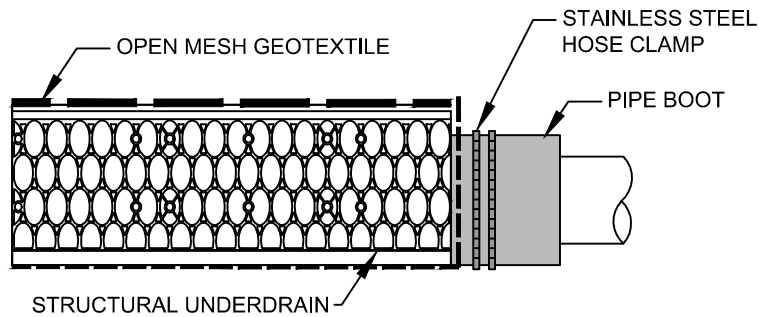


### PIPE BOOT DETAIL



FRONT VIEW

### OUTLET/ INLET PIPE CONNECTION



SIDE VIEW

## FOCALPOINT PIPE CONNECTION

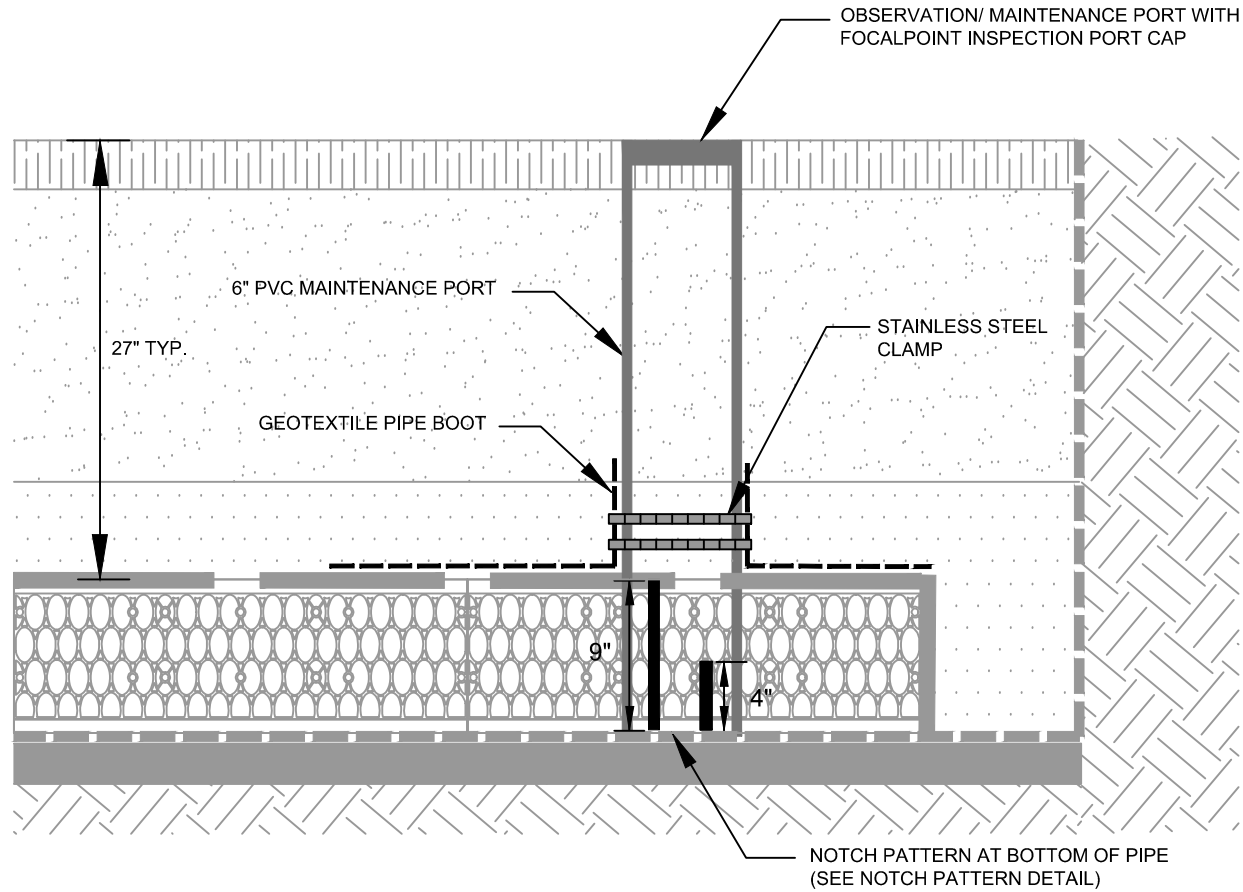


TO FIND A VALUE ADDED RESELLER IN YOUR AREA VISIT  
[WWW.CONVERGENTWATER.COM/STORMWATER-PRODUCTS](http://WWW.CONVERGENTWATER.COM/STORMWATER-PRODUCTS) OR CONTACT  
CONVERGENT WATER TECHNOLOGIES AT 800.771.5428

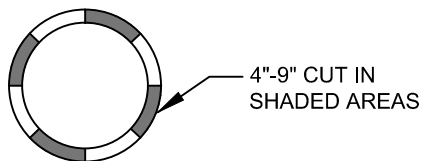


## OBSERVATION/ MAINTENANCE PORT

PORT USED FOR INSPECTION PURPOSES AND FOR SYSTEM MAINTENANCE AS REQUIRED. WATER SHALL BE PUMPED INTO THE SYSTEM AND RESUSPEND ACCUMULATED SEDIMENT. MINIMUM REQUIRED MAINTENANCE INCLUDES A QUARTERLY INSPECTION FOR THE FIRST YEAR OF OPERATION AND A YEARLY INSPECTION THEREAFTER FLUSH AS NEEDED.



### PIPE NOTCH PATTERN DETAIL



## FOCALPOINT OBSERVATION/ MAINTENANCE PORT



TO FIND A VALUE ADDED RESELLER IN YOUR AREA VISIT  
[WWW.CONVERGENTWATER.COM/STORMWATER-PRODUCTS](http://WWW.CONVERGENTWATER.COM/STORMWATER-PRODUCTS) OR CONTACT  
CONVERGENT WATER TECHNOLOGIES AT 800.771.5428

