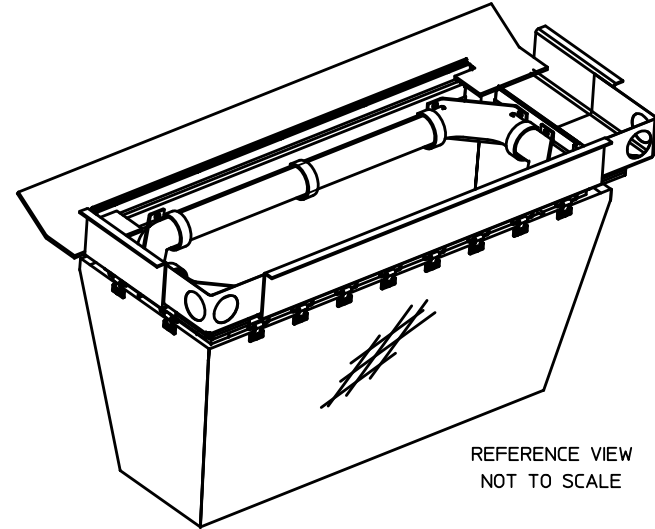
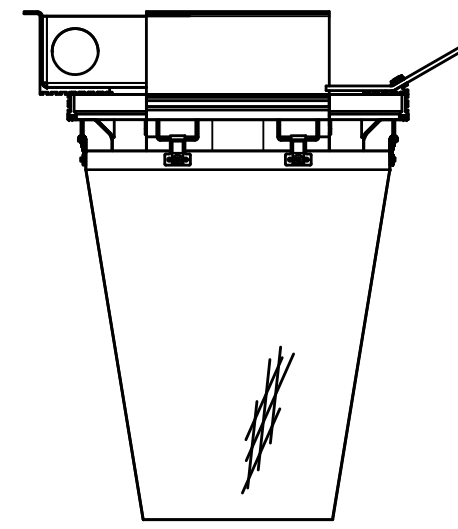
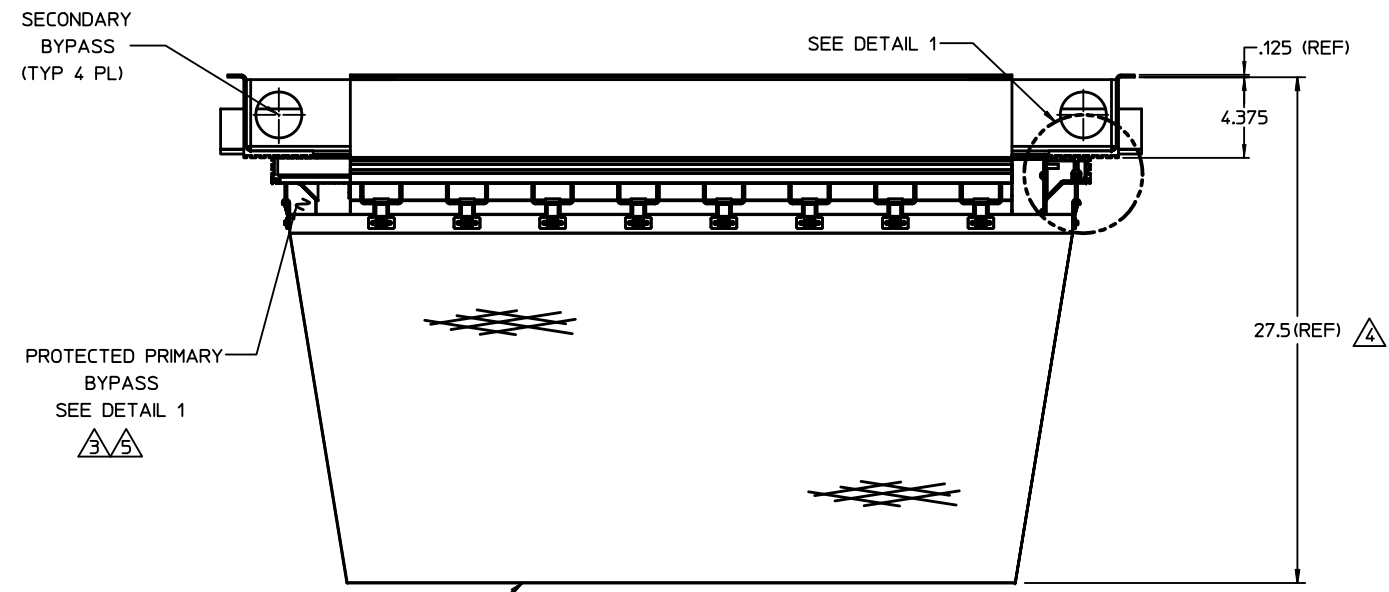
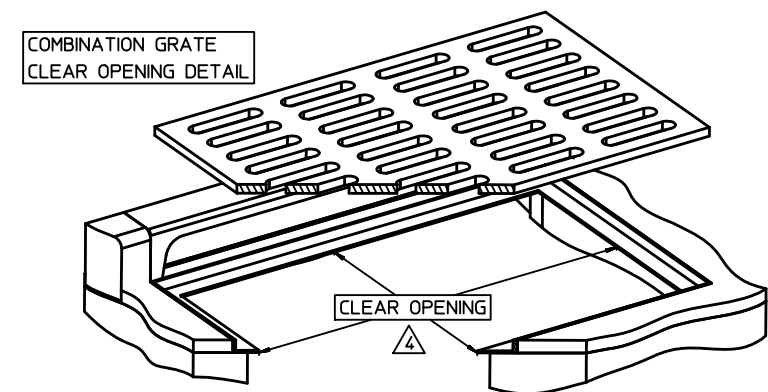
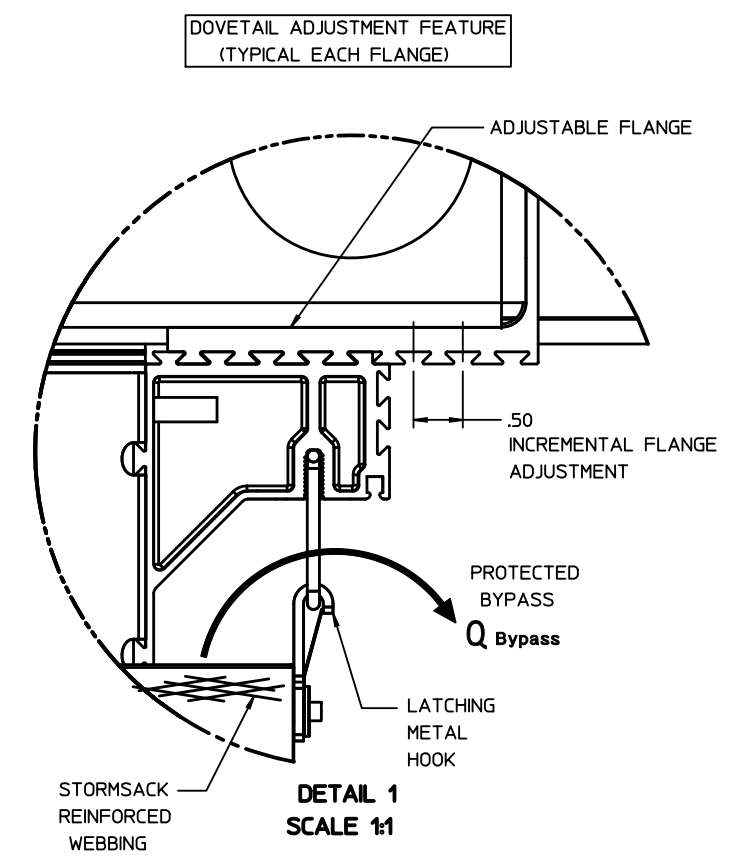
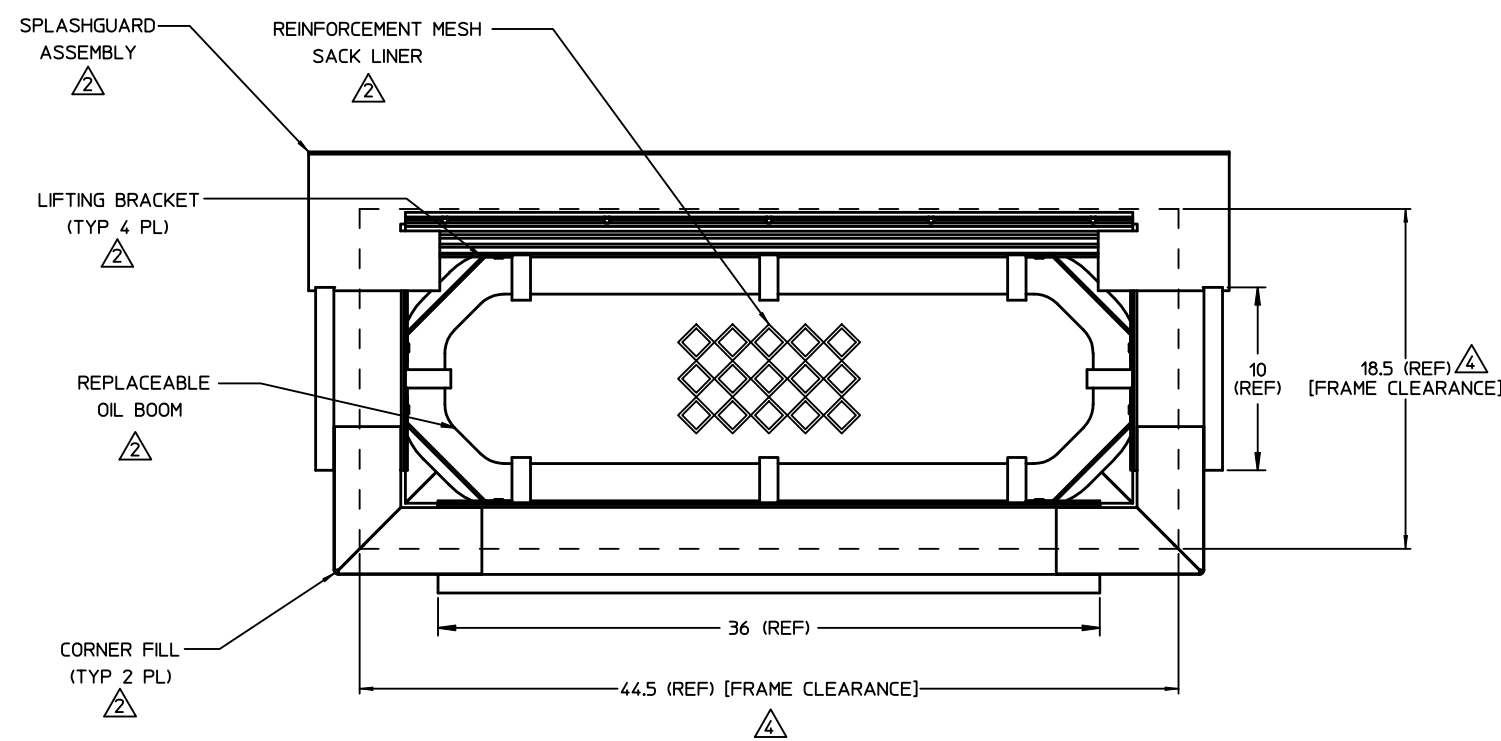



THIS DOCUMENT IS THE PROPERTY OF FABCO INDUSTRIES AND IS CONVEYED WITH THE EXPRESS CONDITION THAT IT AND THE INFORMATION CONTAINED IN IT ARE NOT TO BE USED, DISCLOSED, OR REPRODUCED IN WHOLE OR IN PART, FOR ANY PURPOSE WITHOUT THE EXPRESS WRITTEN CONSENT OF FABCO INDUSTRIES, AND THAT NO RIGHT IS GRANTED TO DISCLOSE OR SO USE ANY INFORMATION CONTAINED IN SAID DOCUMENT.

NOTES:

- WEIGHT (EMPTY): 40 LB MAX
- MATERIAL:
  - ADJUSTABLE FLANGE AND DEFLECTOR: ALUMINUM ALLOY 6063-T6
  - SPLASH GUARD: NEOPRENE RUBBER (TRIM TO FIT)
  - STORMSACK: GEOTEX 117F, REINFORCEMENT RIBBON
  - MESH LINER: HDPE, DIAMOND PATTERN
  - LIFTING TABS: ALUMINUM ALLOY: 5052-H32
  - CORNER FILLER: ALUMINUM ALLOY: 5052-H32
  - SUPPORT HARDWARE: CRES 300 SERIES
  - OIL BOOM: POLYPROPYLENE, 3" DIAMETER
- PERFORMANCE CHARACTERISTICS (TYP):
  - DEBRIS CAPACITY: 8.5 CU-FT
  - FILTERED FLOW RATE (INITIAL): 3504 GPM (7.8 CFS)
  - PROTECTED PRIMARY BYPASS FLOW RATE: 1884 GPM (4.2 CFS)
  - SECONDARY BYPASS FLOW RATE: 164 GPM (0.37 CFS)
  - TOTAL BYPASS FLOW RATE: 2048 GPM (4.6 CFS)
  - OIL BOOM ABSORPTION CAPACITY: 376 OZ (3 GAL)
- CLEAR OPENING RANGE (0.5 INCH INCREMENTS):
  - MINIMUM SIZE: 19 X 45
  - MAXIMUM SIZE: 24 X 50
  - MINIMUM RECOMMENDED VAULT DEPTH: 2-IN BELOW STORMSACK
- COVERED BYPASS PREVENT RE-SUSPENSION OF FLOATABLES
- TYPICAL INSTALLATION: REMOVE STORM GRATE, MEASURE CATCH BASIN CLEAR OPENING AND ADJUST FLANGES TO REST ON GRATE SUPPORT LEDGE, TRIM SPLASH GUARD AS NEEDED, INSTALL CORNER FILL PIECES, REINSTALL STORM GRATE DIRECTLY ON STORMSACK SUPPORT FLANGES.
- USE ONLY FABCO REPLACEABLE STORMSACKS, FABCO PART NO.: 9748-1-200

| REVISIONS |                 |           |          |
|-----------|-----------------|-----------|----------|
| REV       | DESCRIPTION     | DATE      | APPROVED |
| J         | ECN9748-1E-000J | 7/11/2013 |          |



| NO  | QTY | PART NUMBER  | DESCRIPTION | REMARKS  |
|---|-----|--|-------------|--|
| <b>BILL OF MATERIALS</b>  |     |  |             |  |
| UNLESS OTHERWISE SPECIFIED:<br>REMOVE ALL BURRS<br>BREAK SHARP EDGES .002 - .020<br>PILLETS .020 MAX<br>DIMENSIONS ARE IN INCHES AND<br>INCLUDE CHEMICALLY APPLIED<br>OR PLATED FINISHES<br>DO NOT SCALE THIS DRAWING |     | TOLERANCES:<br>DEC .00 + .01<br>DEC .000 + .005<br>FRACT ± 1/16<br>ANGLE ± 2°<br>Rd FINISH ✓           |             | APPROVALS DATE<br>DWN R.MARSTON 6/28/10<br>CHKR<br>ENGR J. PETERS 6/28/10  |
| MATERIAL<br>SEE NOTES   |     | APVD<br>FABCO INDUSTRIES, INC.<br>66 CENTRAL AVE.<br>FARMINGDALE, NY 11735<br>WWW.FABCO-INDUSTRIES.COM |             | <br>TITLE STORMSACK, TYPE E FLANGE<br>19" x 45" CS<br>SIZE CAGE CODE DWG NO REV<br>D 1P8A4 9748-1E-000 J<br>SCALE 1/4" = 1" WT SHEET 1 OF 1 |
| MODEL LINK<br>9748-1E_ASSY4   |     |  |             |  |