

NOTES:

1. WEIGHT (EMPTY): 20 LBS MAX

2. MATERIAL:

- A) BODY: 5052 ALUMINUM
- B) HARDWARE: STAINLESS STEEL, 300 SERIES
- C) TYPICAL CPS COVER: 3/8" SLOTS

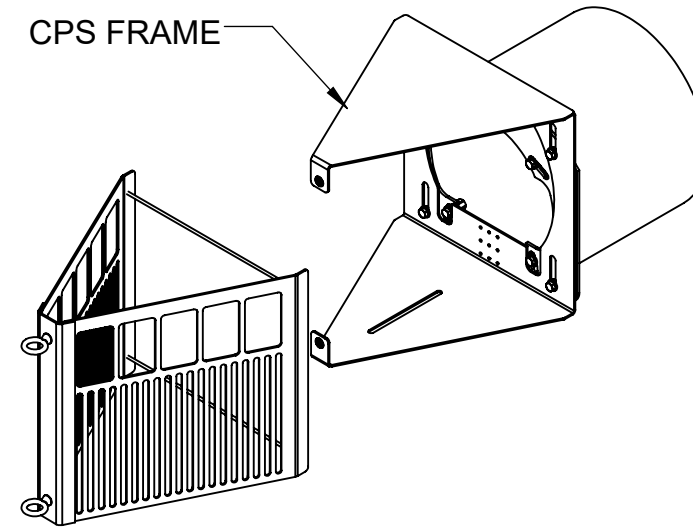
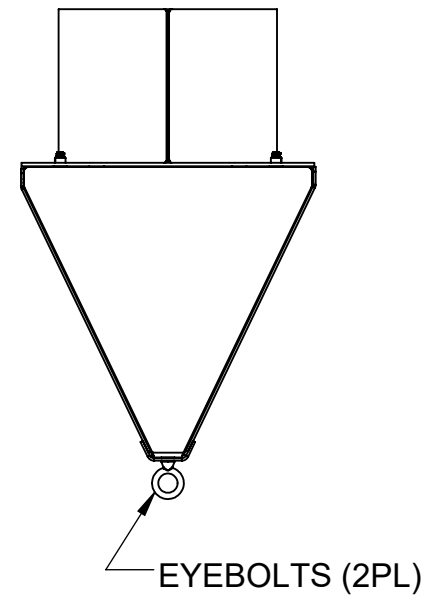
3. PERFORMANCE CHARACTERISTICS:

- A) FILTERED FLOW RATE: 1,435 GPM (3.2 CFS)
- B) BYPASS FLOW RATE: 1,120 (2.5 CFS)

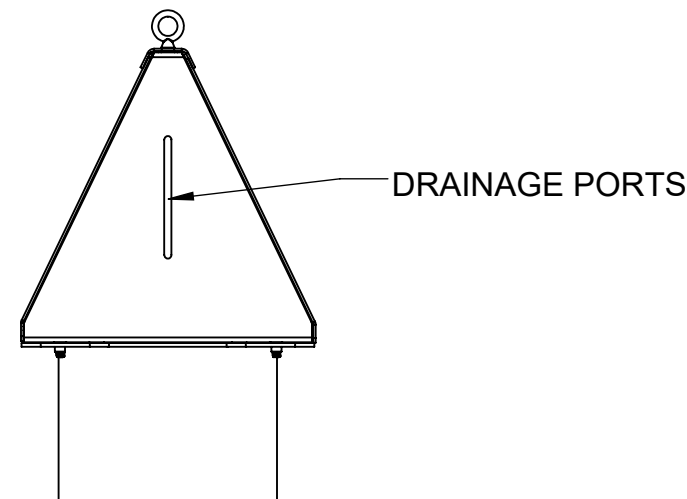
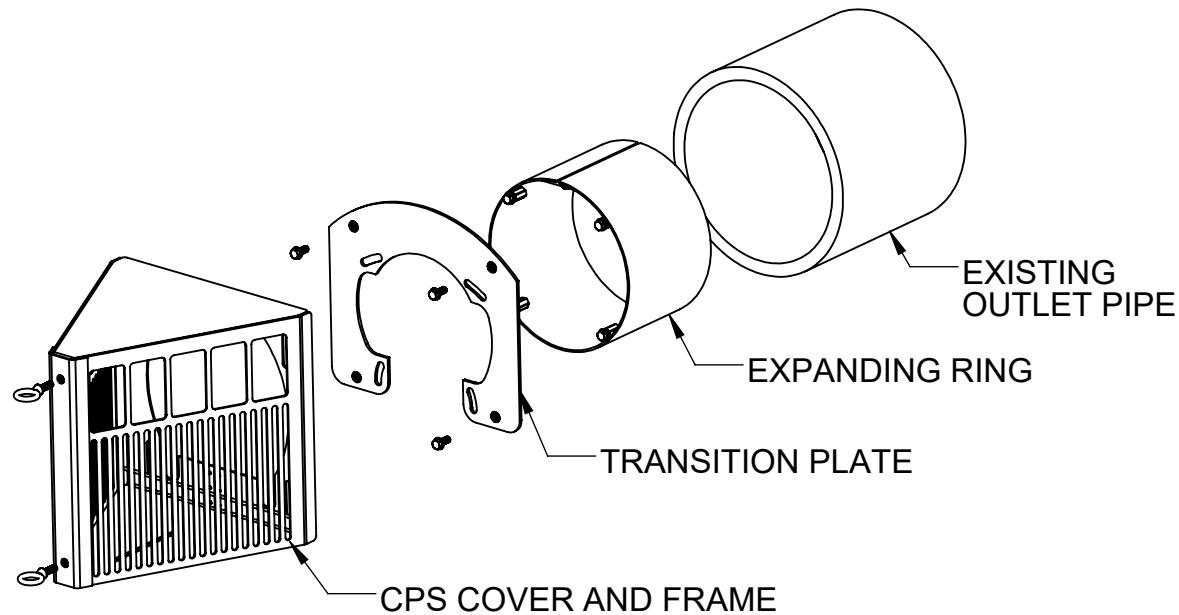
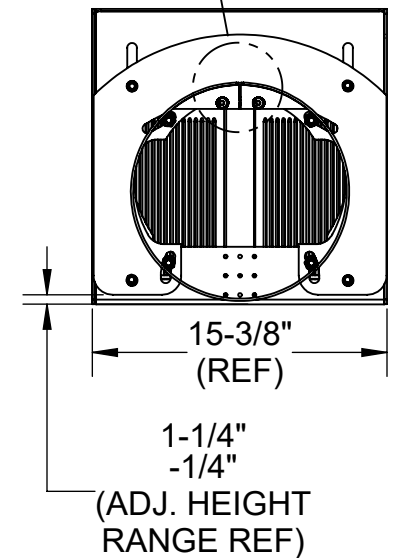
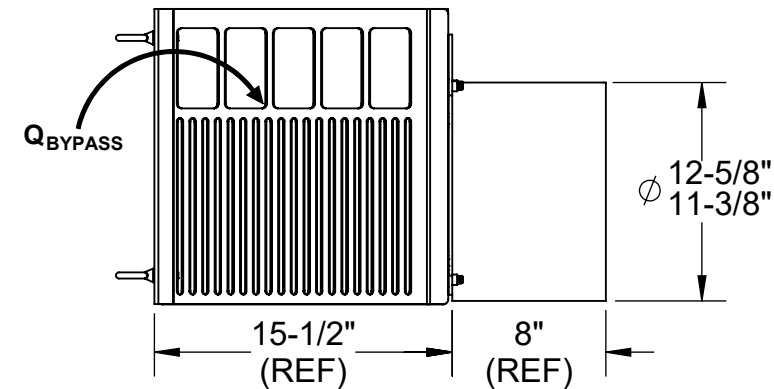
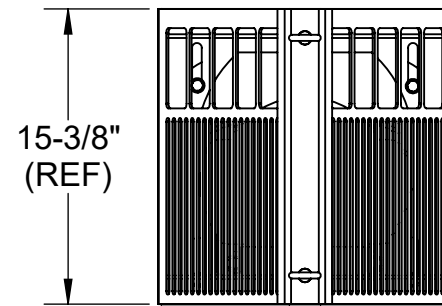
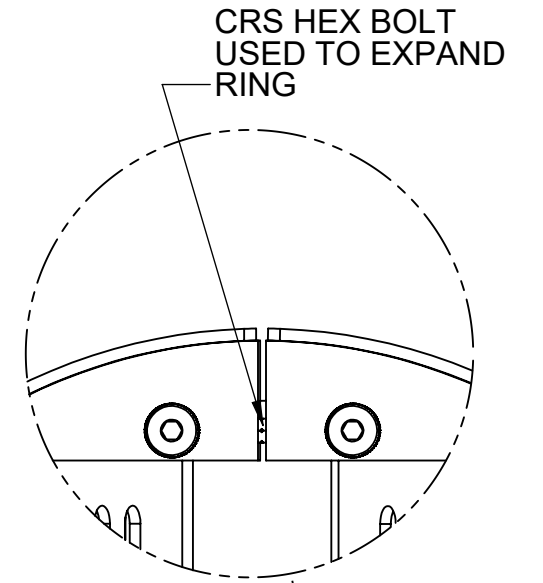
4. OPENING RANGE: DESIGNED FOR 12" NOMINAL PIPE INSIDE DIAMETER

5. TYPICAL INSTALLATION:

- CAREFULLY PLACE EXPANDING RING INTO THE PIPE OPENING AND ALIGN STANDOFFS LEVEL TO THE GROUND. TORQUE THE BOLT AT THE TOP UNTIL THE RING IS SECURED TO THE INNER WALLS OF THE PIPE OPENING.
- NEXT, ALIGN THE TRANSITION PLATE WITH THE STANDOFFS, AND SECURE THE PLATE ONTO THE RING USING THE PROVIDED HEX BOLTS AND WASHERS.
- THE FRAME CAN THEN BE PLACED MOUNTED TO THE TRANSITION PLATE AT THE HEIGHT REQUIRED USING HEX BOLTS AND WASHERS.
- THE COVER CAN THEN BE SECURED TO THE FRAME USING THE EYEBOLTS.



COVER REMOVEABLE FOR EASY MAINTENANCE /CLEANING



REFERENCE VIEW



ENGINEER AND CONTRACTOR NOTE: FABCO INDUSTRIES WATER QUALITY INSERTS (WQIS) ARE MANUFACTURED TO PROPERLY FIT INLETS BY USING SPECIFIC INFORMATION COMPILED IN A SURVEY OF THE "AS-BUILT" INLET. IN RETROFIT SITUATIONS THE SURVEY IS DONE TO DOCUMENT THE THREE CRITICAL ASPECTS OF WQI DESIGN (GRATE/FRAME MEASUREMENTS, OPEN/CLEAR SPACE MEASUREMENTS, AND PROTRUSION MEASUREMENTS). IN NEW CONSTRUCTION, FABCO PRODUCT DRAWINGS ARE ESSENTIALLY PLACE HOLDERS BASED ON THE SPECIFIED INLETS. ONCE THE INLETS ARE BUILT, THE PROCESS REVERTS TO THE RETROFIT APPROACH OF SURVEYING THE AS-BUILT INLETS TO CONFIRM FABCO INSERT DESIGN. PLEASE USE THE QR CODE TO ACCESS THE SURVEY FORM AND COMPREHENSIVE GUIDANCE OF THE SURVEY PROCESS. ALTERNATIVELY, NAVIGATE TO www.fabco-industries.com/stormwater-inlet-survey-assistance

PROPRIETARY AND CONFIDENTIAL
THIS DOCUMENT IS THE PROPERTY OF FABCO INDUSTRIES AND IS CONVEYED WITH THE EXPRESS CONDITION THAT IT AND THE INFORMATION CONTAINED IN IT ARE NOT TO BE USED, DISCLOSED, OR REPRODUCED IN WHOLE OR IN PART, FOR ANY PURPOSE WITHOUT THE EXPRESS WRITTEN CONSENT OF FABCO INDUSTRIES; AND THAT NO RIGHT IS GRANTED TO DISCLOSE OR SO USE ANY INFORMATION CONTAINED IN SAID DOCUMENT.

| | | | |
|---|-----------|---|--|
| UNLESS OTHERWISE SPECIFIED REMOVE ALL BURRS BREAK SHARP EDGES .002 - .020 FILLETS .020 MAX DIMENSIONS ARE IN INCHES AND INCLUDE CHEMICALLY APPLIED OR PLATED FINISHES | | TOLERANCES: DEC .00 ± .01 DEC .000 ± .005 FRACT ± 1/16 ANGLE ± 2° | |
| PROJECT | SEE NOTES | | |
| MATERIAL | SEE NOTES | | |

| | |
|-----------|-----------|
| APPROVAL | DATE |
| DWN J.C. | 11/3/2023 |
| CHKR J.P. | 3/16/2023 |
| ENGR J.C. | 11/3/2023 |
| UPD J.C. | 11/3/2023 |

| | |
|--------------------------------|--------------|
| | |
| (ALUMINUM) | |
| STORMRING CPS FOR Ø 12" | |
| SIZE DWG. NO. | REV |
| B SCA12-1-000 | C |
| SCALE: NONE | SHEET 1 OF 1 |