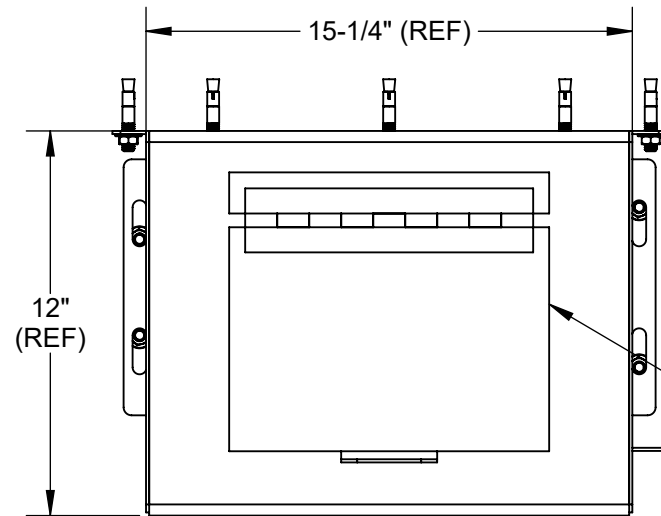


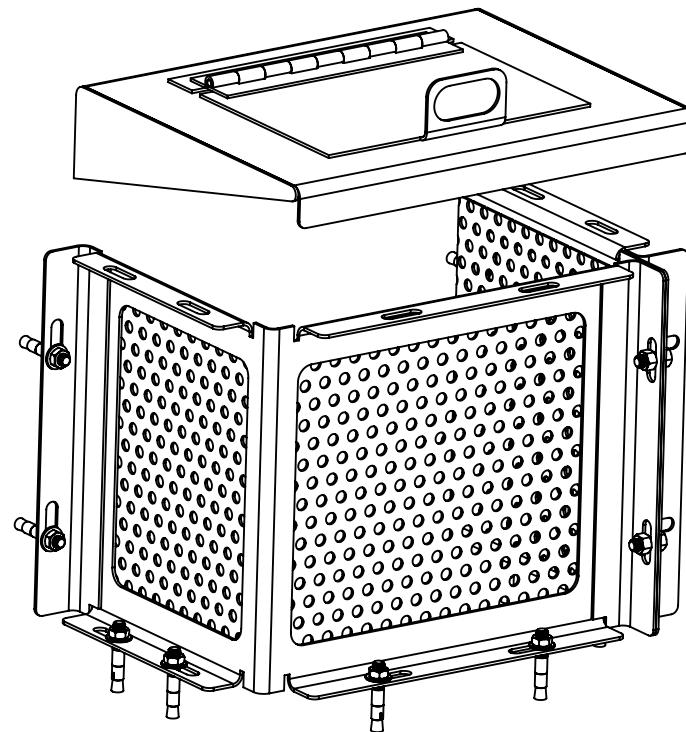
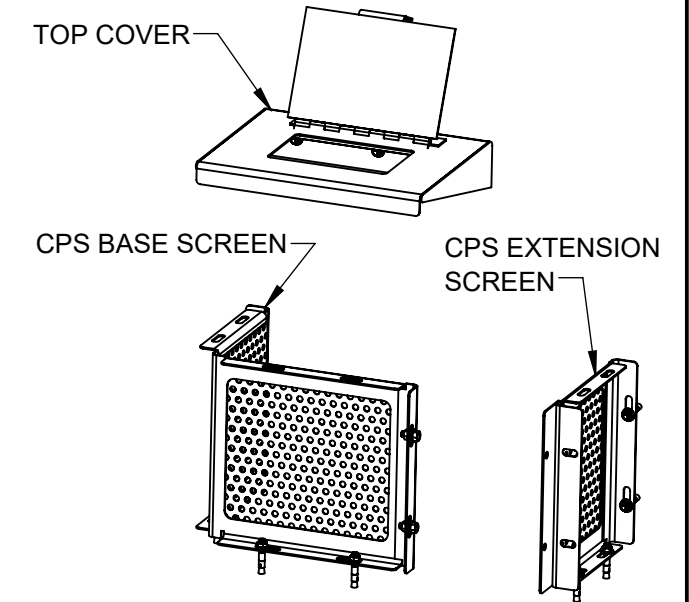
NOTES:

1. WEIGHT (EST): 28 LBS MAX
2. MATERIAL:
 - A. FRAME & LID: 300 SERIES STAINLESS STEEL
 - B. PERFORATED SCREEN 300 SERIES STAINLESS STEEL, 5mm HOLES, 51% OPEN AREA
 - C. HARDWARE: STAINLESS STEEL
3. PERFORMANCE CHARACTERISTICS (TYP):
 - A. FILTERED FLOW RATE: 2.8 CFS
 - B. BYPASS FLOW RATE: 3.3 CFS
4. WARRANTY: 10-YEARS ON MANUFACTURED COMPONENTS (REFER TO FABCO WEBSITE FOR FURTHER DETAILS)
5. TYPICAL INSTALLATION:
 - A. PASS SCREENS THROUGH MANHOLE OPENING AND ASSEMBLE SCREEN ASSEMBLY USING PROVIDED HARDWARE.
 - B. POSITION CPS BASE AGAINST CATCH BASIN WALL IN FRONT OF OUTLET PIPE.
 - C. MOUNT USING PROVIDED CONCRETE ANCHORS AND SEAL EDGES WITH SILICONE IF NECESSARY.
 - D. MEASURE HEIGHT FOR BYPASS AND MOUNT COVER USING PROVIDED CONCRETE ANCHORS.

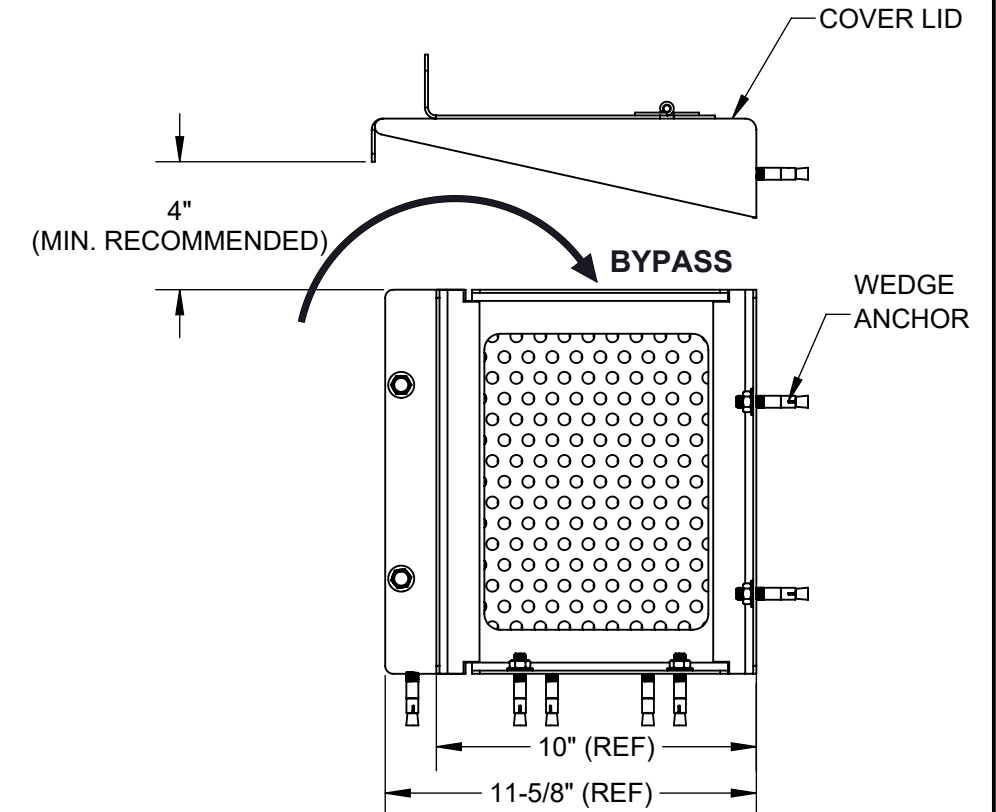
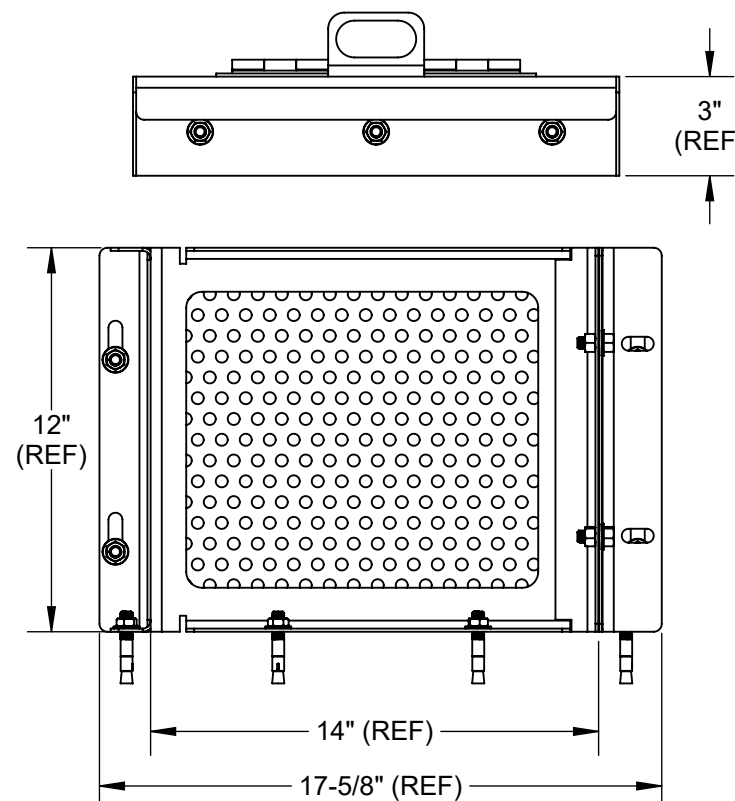
CERTIFIED FULL TRASH CAPTURE DEVICE BY CALIFORNIA STATE WATERBOARD



MAINTENANCE ACCESS
VECTOR CONTROL HINGED
ACCESS DOOR



REFERENCE VIEW



<p>WARRANTY DETAILS</p>	<p>SURVEY GUIDANCE</p>
------------------------------------	-----------------------------------

ENGINEER AND CONTRACTOR NOTE: FABCO INDUSTRIES WATER QUALITY INSERTS (WQIS) ARE MANUFACTURED TO PROPERLY FIT INLETS BY USING SPECIFIC INFORMATION COMPILED IN A SURVEY OF THE "AS-BUILT" INLET. IN RETROFIT SITUATIONS THE SURVEY IS DONE TO DOCUMENT THE THREE CRITICAL ASPECTS OF WQI DESIGN (GRATE/FRAME MEASUREMENTS, OPEN/CLEAR SPACE MEASUREMENTS, AND PROTRUSION MEASUREMENTS). IN NEW CONSTRUCTION, FABCO PRODUCT DRAWINGS ARE ESSENTIALLY PLACE HOLDERS BASED ON THE SPECIFIED INLETS. ONCE THE INLETS ARE BUILT, THE PROCESS REVERTS TO THE RETROFIT APPROACH OF SURVEYING THE AS-BUILT INLETS TO CONFIRM FABCO INSERT DESIGN. PLEASE USE THE QR CODE TO ACCESS THE SURVEY FORM AND COMPREHENSIVE GUIDANCE OF THE SURVEY PROCESS. ALTERNATIVELY, NAVIGATE TO www.fabco-industries.com/stormwater-inlet-survey-assistance

PROPRIETARY AND CONFIDENTIAL
THIS DOCUMENT IS THE PROPERTY OF FABCO INDUSTRIES AND IS CONVEYED WITH THE EXPRESS CONDITION THAT IT AND THE INFORMATION CONTAINED IN IT ARE NOT TO BE USED, DISCLOSED, OR REPRODUCED IN WHOLE OR IN PART, FOR ANY PURPOSE WITHOUT THE EXPRESS WRITTEN CONSENT OF FABCO INDUSTRIES; AND THAT NO RIGHT IS GRANTED TO DISCLOSE OR SO USE ANY INFORMATION CONTAINED IN SAID DOCUMENT.

UNLESS OTHERWISE SPECIFIED REMOVE ALL BURRS BREAK SHARP EDGES .002 - .020 FILLETS .020 MAX DIMENSIONS ARE IN INCHES AND INCLUDE CHEMICALLY APPLIED OR PLATED FINISHES		TOLERANCES: DEC .00 ± .01 DEC .000 ± .005 FRACT ± 1/16 ANGLE ± 2°	
PROJECT	FABCO INDUSTRIES, INC. 24 CENTRAL DRIVE FARMINGDALE, NY 11735 WWW.FABCO-INDUSTRIES.COM	APPROVAL	DATE
MATERIAL		DWN J.C.	1/2/2024
		ENGR J.P.	1/2/2024
		UPD J.C.	12/22/2023

SIZE	DWG. NO.	REV
B	OCS12-1WU-000	C
SCALE: NONE	SHEET 1 OF 1	

fabco
Industries Inc.

12" CPS, U-WALL MOUNTED
WITH VECTOR CONTROL