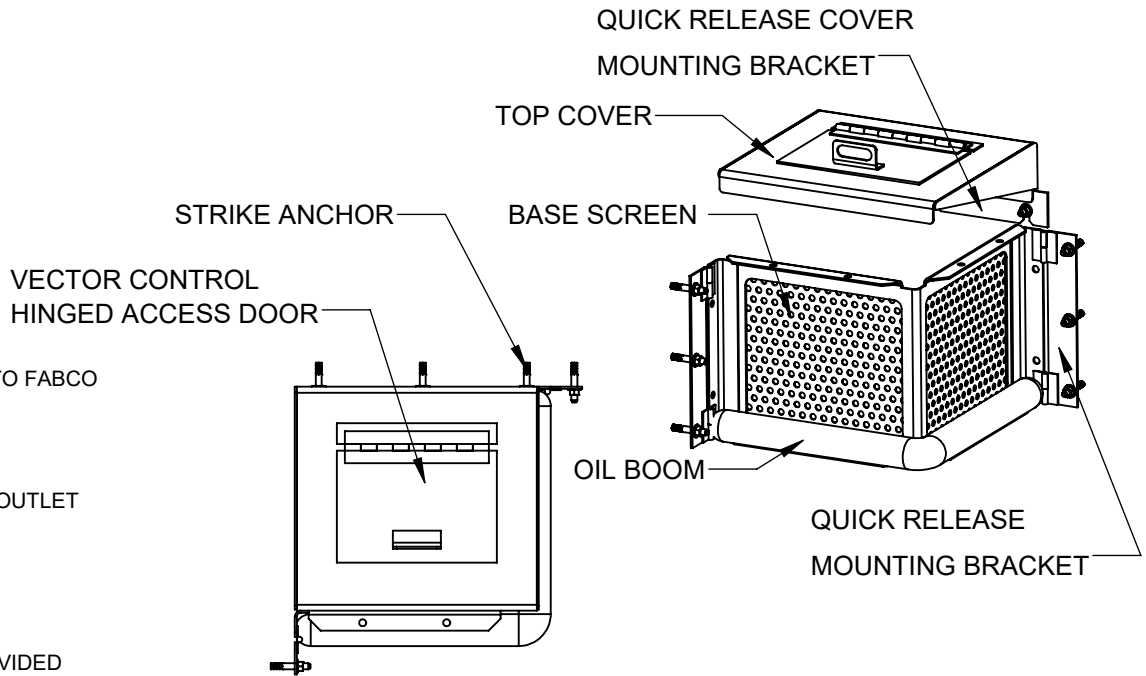


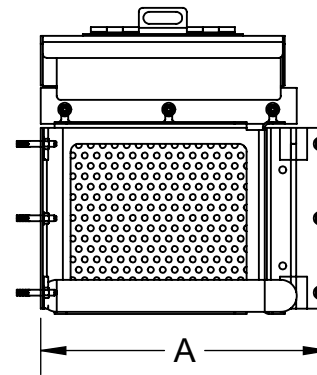
CERTIFIED FULL TRASH CAPTURE DEVICE BY CALIFORNIA STATE WATERBOARD

NOTES:

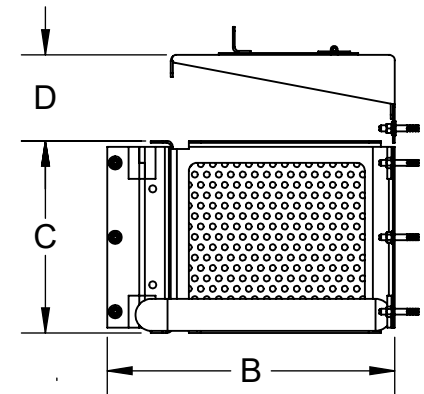
1. PERFORMANCE CHARACTERISTICS:
 - A. STAINLESS STEEL FRAME & HARDWARE
 - B. PERFORATED STAINLESS STEEL, 5mm HOLES
 - C. OPEN AREA, 51%
 - D. BYPASS AREA \geq OUTLET PIPE AREA
 - E. CUSTOM SIZES AVAILABLE, CONTACT FERGUSON WATERWORKS
2. BOTH CPS SCREEN AND VECTOR CONTROL TOP ARE REMOVABLE ON QUICK RELEASE VERSIONS TO AVOID CONFINED SPACE ENTRY,
3. **WARRANTY:** 10-YEARS ON MANUFACTURED COMPONENTS (REFER TO FABCO WEBSITE FOR FURTHER DETAILS)
4. TYPICAL INSTALLATION:
 - A. POSITION CPS BASE AGAINST CATCH BASIN WALL IN FRONT OF OUTLET PIPE. 'L' SHAPE CPS ARE USED FOR CORNER APPLICATIONS.
 - B. MOUNT QUICK RELEASE BRACKET USING PROVIDED CONCRETE STRIKE ANCHORS AND SEAL EDGES WITH SILICONE.
 - C. MEASURE HEIGHT FOR BYPASS AND MOUNT COVER USING PROVIDED CONCRETE STRIKE ANCHORS.
 - D. LIFT CPS/COVER VERTICALLY TO RELEASE QUICKLY FROM MOUNTED BRACKETS FOR MAINTENCE/CLEANING



PLAN VIEW



FRONT VIEW



SIDE VIEW

| PART NUMBER | PIPE DIA. | WIDTH (A) | DEPTH (B) | HEIGHT (C) | BYPASS HEIGHT (D) | FILTERED FLOW RATE | BYPASS FLOW RATE |
|-------------|-----------|-----------|-----------|------------|-------------------|--------------------|------------------|
| OCS12-1WLQ | 12" | 14.00" | 14.00" | 12.00" | 4.00" | 3 CFS | 3 CFS |
| OCS18-1WLQ | 18" | 20.00" | 20.00" | 18.00" | 7.00" | 6 CFS | 6 CFS |
| OCS24-1WLQ | 24" | 28.00" | 14.00" | 24.00" | 15.00" | 8 CFS | 15 CFS |
| OCS36-1WLQ | 36" | 40.00" | 20.00" | 36.00" | 20.00" | 18 CFS | 29 CFS |



NOT TO SCALE

5/23/2023

**QUICK RELEASE 'L' WALL-MOUNTED CPS
W/ VECTOR CONTROL TOP**