

NOTES:

1. MATERIAL:

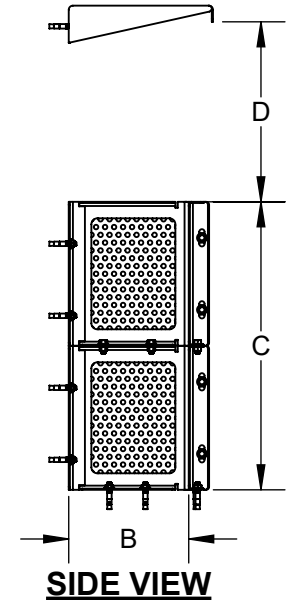
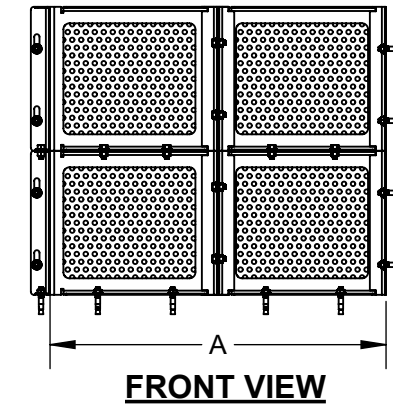
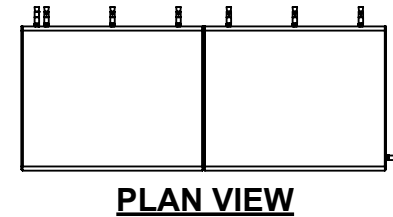
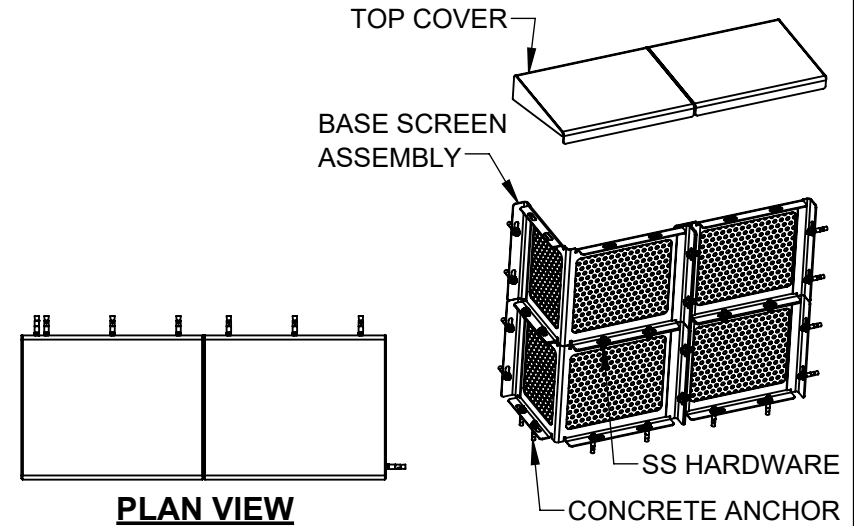
- A. STAINLESS STEEL FRAME & HARDWARE
- B. PERFORATED STAINLESS STEEL, ϕ 5mm HOLES
- C. PERFORATED SCREEN, 51% OPEN AREA

2. CUSTOM SIZES AVAILABLE, CONTACT FERGUSON WATERWORKS

3. WARRANTY: 10-YEARS ON MANUFACTURED COMPONENTS (REFER TO FABCO WEBSITE FOR FURTHER DETAILS)

4. TYPICAL INSTALLATION:

- A. PASS SCREENS THROUGH MANHOLE OPENING AND ASSEMBLE SCREEN ASSEMBLY USING PROVIDED HARDWARE.
- B. POSITION CPS BASE AGAINST CATCH BASIN WALL IN FRONT OF OUTLET PIPE.
- C. MOUNT USING PROVIDED CONCRETE ANCHORS AND SEAL EDGES WITH SILICONE IF NECESSARY.
- D. MEASURE HEIGHT FOR BYPASS AND MOUNT COVER USING PROVIDED CONCRETE ANCHORS



PART NUMBER	PIPE DIA.	WIDTH (A)	DEPTH (B)	HEIGHT (C)	MIN. BYPASS HEIGHT (D)	FILTERED FLOW RATE	BYPASS FLOW RATE
OCS12-1L	12	14"	10"	12"	4"	2.0 CFS	2.3 CFS
OCS18-1L	18	20"	10"	18"	7"	5.6 CFS	5.1 CFS
OCS24-1L	24	28"	10"	24"	15"	6.6 CFS	13.9 CFS
OCS36-1L	36	40"	10"	36"	20"	15.8 CFS	24.4 CFS



NOT TO SCALE

12/18/2023

CPS, L-WALL-MOUNTED