

Part Number	Grate Min		Grate Max		Flow Rates		Capacities		PRICE (NO Add-Ons)	
	Width (in)	Length (in)	Width (in)	Length (in)	Filtered (CFS)	Bypass (CFS)	Debris (ft³)	Oil (gal)	MSRP	25% OFF
RFS1616-2828-1	16	16	28	28	0.9	1.0	0.3	0.8	\$383.00	\$287.25
RFS1622-2834-1	16	22	28	34	1.3	1.6	0.6	1.0	\$400.00	\$300.00
RFS1628-2840-1	16	28	28	40	1.7	2.2	0.9	1.2	\$417.00	\$312.75
RFS1634-2846-1	16	34	28	46	2.1	2.6	1.2	1.4	\$434.00	\$325.50
RFS1640-2852-1	16	40	28	52	2.5	3.2	1.5	1.6	\$452.00	\$339.00
RFS2222-3434-1	22	22	34	34	1.8	2.1	1.2	1.2	\$423.00	\$317.25
RFS2228-3440-1	22	28	34	40	2.3	2.6	1.7	1.4	\$446.00	\$334.50
RFS2234-3446-1	22	34	34	46	2.8	3.2	2.3	1.6	\$469.00	\$351.75
RFS2240-3452-1	22	40	34	52	3.3	3.8	2.8	1.9	\$491.00	\$368.25
RFS2828-4040-1	28	28	40	40	2.9	3.2	2.5	1.6	\$474.00	\$355.50
RFS2834-4046-1	28	34	40	46	3.4	3.8	3.3	1.9	\$503.00	\$377.25
RFS2840-4052-1	28	40	40	52	4.0	4.4	4.1	2.1	\$531.00	\$398.25
RFS3434-4646-1	34	34	46	46	4.1	4.4	4.3	2.1	\$537.00	\$402.75
RFS3440-4652-1	34	40	46	52	4.8	5.0	5.4	2.3	\$571.00	\$428.25
RFS4040-5252-1	40	40	52	52	5.5	5.6	6.7	2.5	\$611.00	\$458.25

**NOTES:**

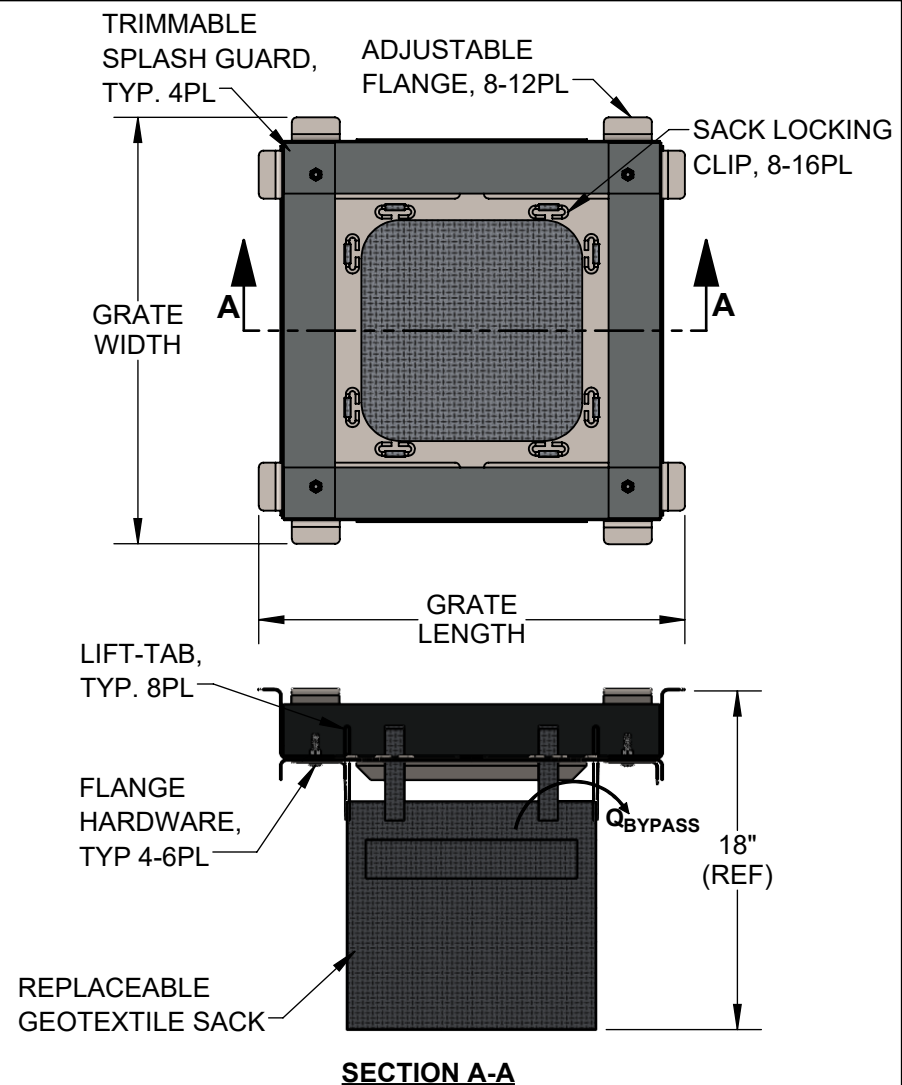
1. STAINLESS STEEL FRAME & HARDWARE
2. RECOMMENDED 2" MIN. CLEARANCE BELOW SACK.
3. CUSTOM SIZES AVAILABLE, CONTACT FERGUSON WATERWORKS

AVAILABLE ADD-ONS, NOT SHOWN:

1. OIL BOOM
2. HDPE LINER
3. PROTECTED BYPASS HOOD
4. CA WATERBOARD VECTOR CONTROL PORT

Part	Add-On Upcharge	
	MSRP	25% OFF
Oil Boom	\$30.00	\$22.50
Bypass Hood	\$30.00	\$22.50
HDPE Liner	\$30.00	\$22.50

**Ferguson Price List**



SCAN QR CODE TO SEE PART NUMBER RECOMMENDED FOR YOUR INLET DIMENSIONS:



TITLE: **READY-FIT STORMSACK** REV: **C**

INSTALLATION:

1. REMOVE GRATE
2. ADJUST FLANGES TO REST ON GRATE LEDGE
3. SET STORMSACK IN PLACE, TRIM BIB AS NEEDED
4. REINSTALL GRATE