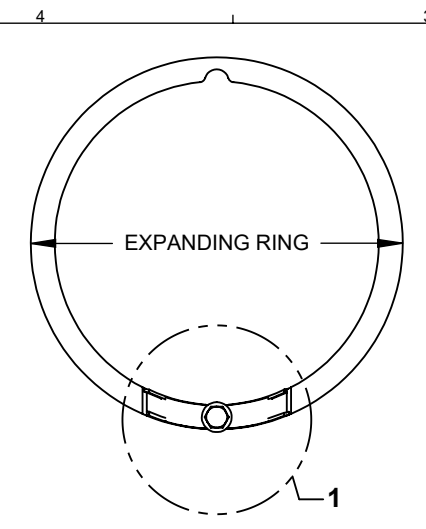
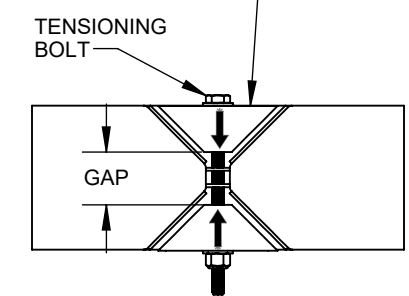


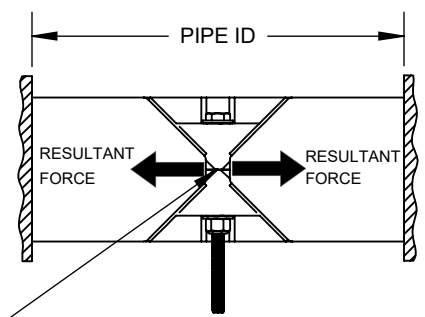
SECTION A-A



WEDGE ASSEMBLY SHOWN IN THE OPEN POSITION. NOTE THE GAP BETWEEN THE WEDGE FACES.



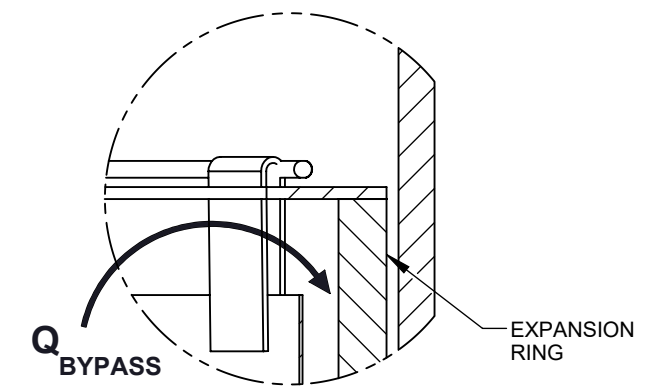
EXPANSION RING, UNLOADED



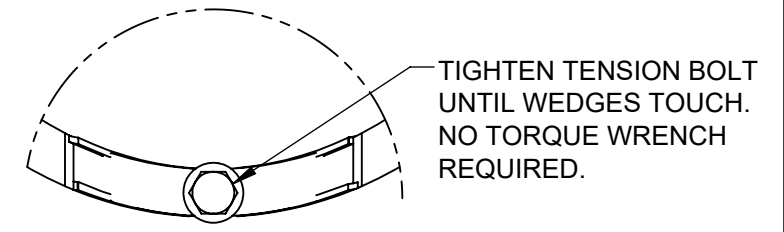
EXPANSION RING, LOADED

ZERO GAP. WEDGE ASSEMBLY SHOWN IN THE CLOSED POSITION. EXPANSION RING IS AT THE PROPER TENSION WITHOUT THE USE OF A TORQUE WRENCH.

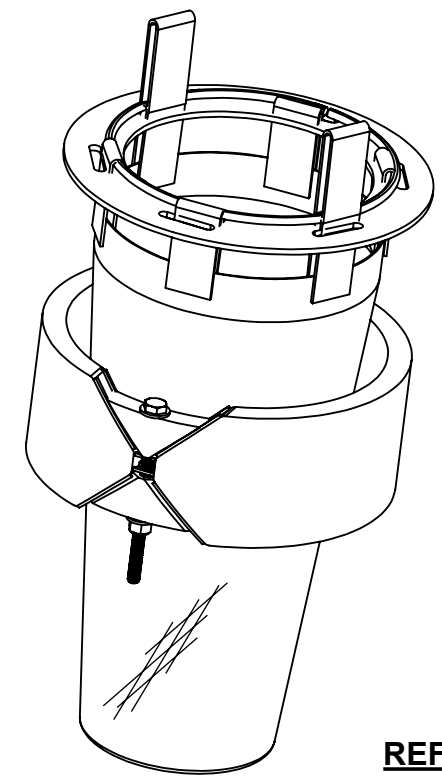
1. WEIGHT (EMPTY): 10 LB MAX
2. MATERIAL:
 - A) EXPANSION RING: POLYMER FILAMENT (HEAT BONDED)
 - B) SUPPORT FLANGE: ALUMINUM ALLOY PLATE, 6000 SERIES
 - C) STORMSOK: WOVEN POLYPROPYLENE GEOTEXTILE
 - D) SACK SUPPORT RING: ALUMINUM ALLOY
 - E) HARDWARE: STAINLESS STEEL
3. PERFORMANCE CHARACTERISTICS (TYP):
 - A) DEBRIS CAPACITY: 0.13 CU-FT
 - B) FILTERED FLOW RATE: 35 GPM (0.08 CFS)
 - C) BYPASS FLOW RATE: 135 GPM (0.3 CFS)
 - D) GEOTEXTILE SIEVE SIZE: 30 US SIEVE (595 MICRONS)
4. DESIGNED TO FIT HARCO 8" ROUND AND SQUARE CASTINGS
5. RECOMMENDED MINIMUM VAULT DEPTH: 2-IN BELOW STORMSOK
6. USE WITH FABCO REPLACEABLE STORMSOK, P/N: 10288-1-102
7. SHORT (8" LONG) STORMSOK IS AVAILABLE ON REQUEST
8. REPLACEABLE OIL BOOM IS AVAILABLE ON REQUEST



DETAIL 2



DETAIL 1



REFERENCE VIEW

PROPRIETARY AND CONFIDENTIAL THIS DOCUMENT IS THE PROPERTY OF FABCO INDUSTRIES AND IS CONVEYED WITH THE EXPRESS CONDITION THAT IT AND THE INFORMATION CONTAINED IN IT ARE NOT TO BE USED, DISCLOSED, OR REPRODUCED IN WHOLE OR IN PART, FOR ANY PURPOSE WITHOUT THE EXPRESS WRITTEN CONSENT OF FABCO INDUSTRIES; AND THAT NO RIGHT IS GRANTED TO DISCLOSE OR SO USE ANY INFORMATION CONTAINED IN SAID DOCUMENT.		UNLESS OTHERWISE SPECIFIED REMOVE ALL BURRS BREAK SHARP EDGES .002 - .020 FILLETS .020 MAX DIMENSIONS ARE IN INCHES AND INCLUDE CHEMICALLY APPLIED OR PLATED FINISHES	TOLERANCES: DEC .00 ± .01 DEC .000 ± .005 FRACT ± 1/16 ANGLE ± 2°	APPROVAL DWN MS 10/31/16 CHKR JP 10/31/16 ENGR UPD	DATE 10/31/16	
PROJECT MATERIAL SEE NOTES	FABCO INDUSTRIES, INC. 24 CENTRAL DRIVE FARMINGDALE, NY 11735 WWW.FABCO-INDUSTRIES.COM	TITLE: STORMSOK & POLYMER EXPANSION RING FOR 8" STORM STRUCTURE SIZE DWG. NO. B 10288-1-000 REV B SCALE: NONE SHEET 1 OF 1				