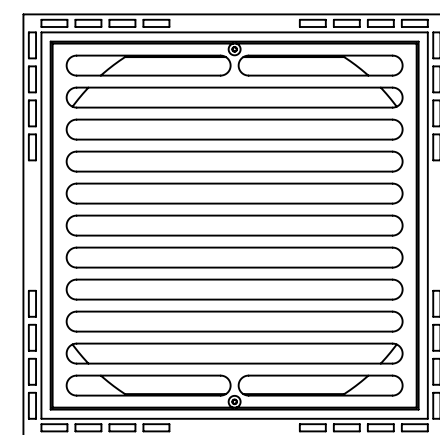


GENERAL INSTALLATION:
 ADJUST THE TURNBUCKLE DOWN TO GIVE THE SMALLEST RING DIAMETER AND LOCATE THE EXPANSION RING INTO THE HARCO STRUCTURE MINIMUM OF 6-IN DOWN FROM THE TOP OPENING AS SHOWN. BEGIN OPENING THE TURNBUCKLE UNTIL THE EXPANSION RING IS SELF SUPPORTING, THEN VERIFY THE RING IS LEVEL AND PLUMB TO THE HARCO STRUCTURE. USING A CALIBRATED TORQUE WRENCH, CONTINUE TO OPEN THE TURNBUCKLE TO 13 FT-LB (+/- 0.5 FT-LB) TORQUE. DO NOT OVER TIGHTEN. PLACE THE TRANSITION PLATE ON THE EXPANSION RING AND SECURE WITH SELF DRILLING SCREWS PROVIDED. INSTALL THE STORMSACK ASSEMBLY DIRECTLY ON THE TRANSITION PLATE.

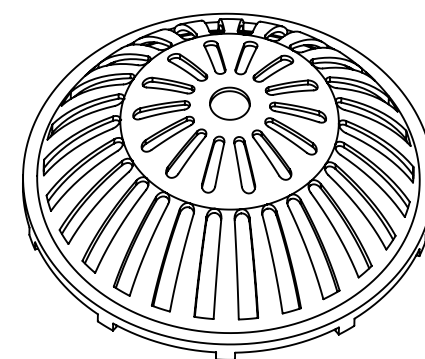
NOTES FOR 10135-4S-500 STORMSOK ASSEMBLY AND 10101-4-000 EXPANSION RING:

- WEIGHT (EMPTY): 25 LB MAX
- MATERIAL:
 - A) SUPPORT FLANGE: ALUMINUM ALLOY PLATE, 5000 SERIES
 - B) STORMSOK: WOVEN POLYPROPYLENE GEOTEXTILE
 - C) APPARENT OPENING SIZE (AOS): 20 US SIEVE (840 MICRONS)
 - D) EXPANSION RING: ALUMINUM ALLOY CHANNEL, 6000 SERIES
 - E) HARDWARE: STAINLESS STEEL
- PERFORMANCE CHARACTERISTICS (TYP):
 - A) DEBRIS CAPACITY: 0.71 CU-FT
 - B) FILTERED FLOW RATE: 670 GPM (1.5 CFS)
 - C) BYPASS FLOW RATE: 445 GPM (1.0 CFS)
- DESIGNED TO FIT HARCO 24" SQUARE CASTING
- RECOMMENDED MINIMUM STRUCTURE DEPTH: 2-IN BELOW STORMSOK
- USE WITH FABCO REPLACEABLE STORMSOK, P/N: 10135-3S-102
- DEEP (22" LONG) STORMSOKS ARE AVAILABLE ON REQUEST
- REPLACEABLE OIL BOOM AVAILABLE ON REQUEST

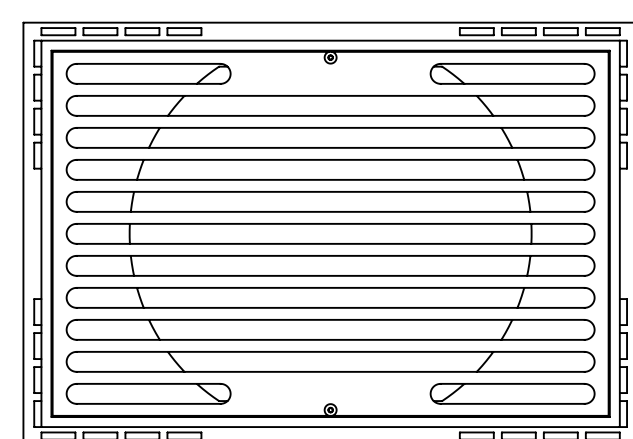
DESIGNED FOR USE WITH THE FOLLOWING HARCO CASTINGS



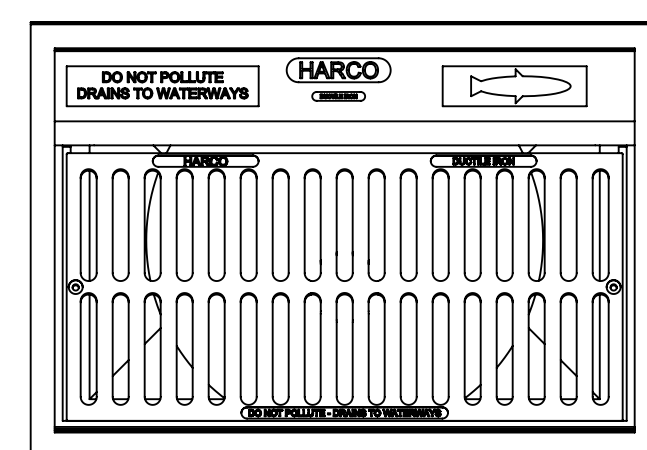
STORMSOK FITS 2 X 2 HARCO 24" GRATE



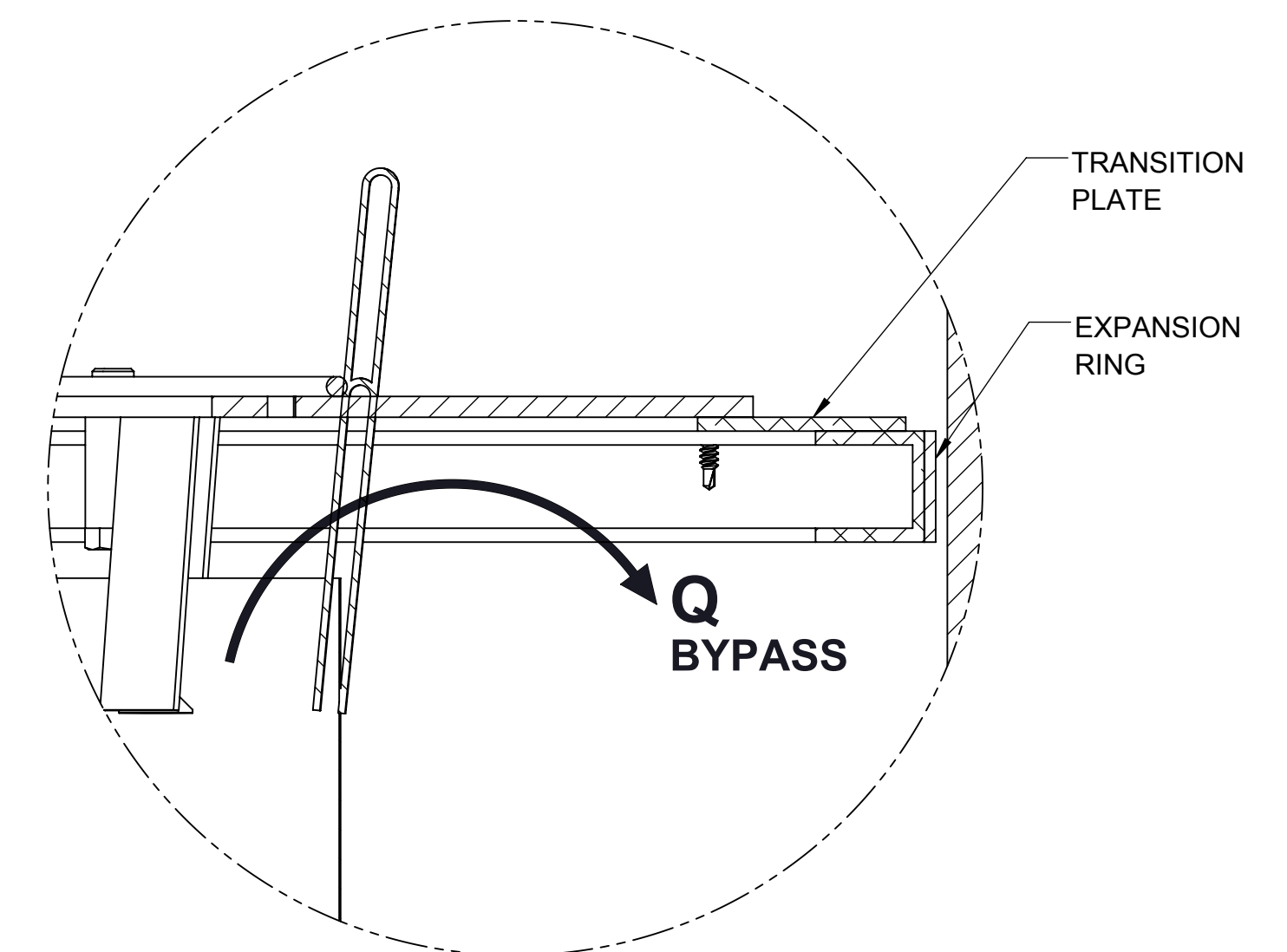
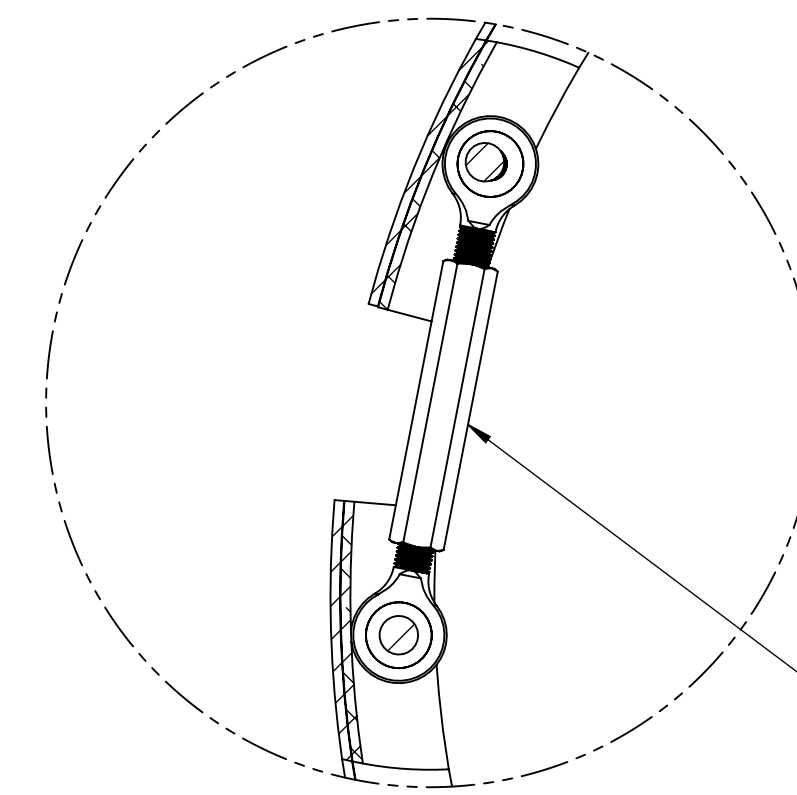
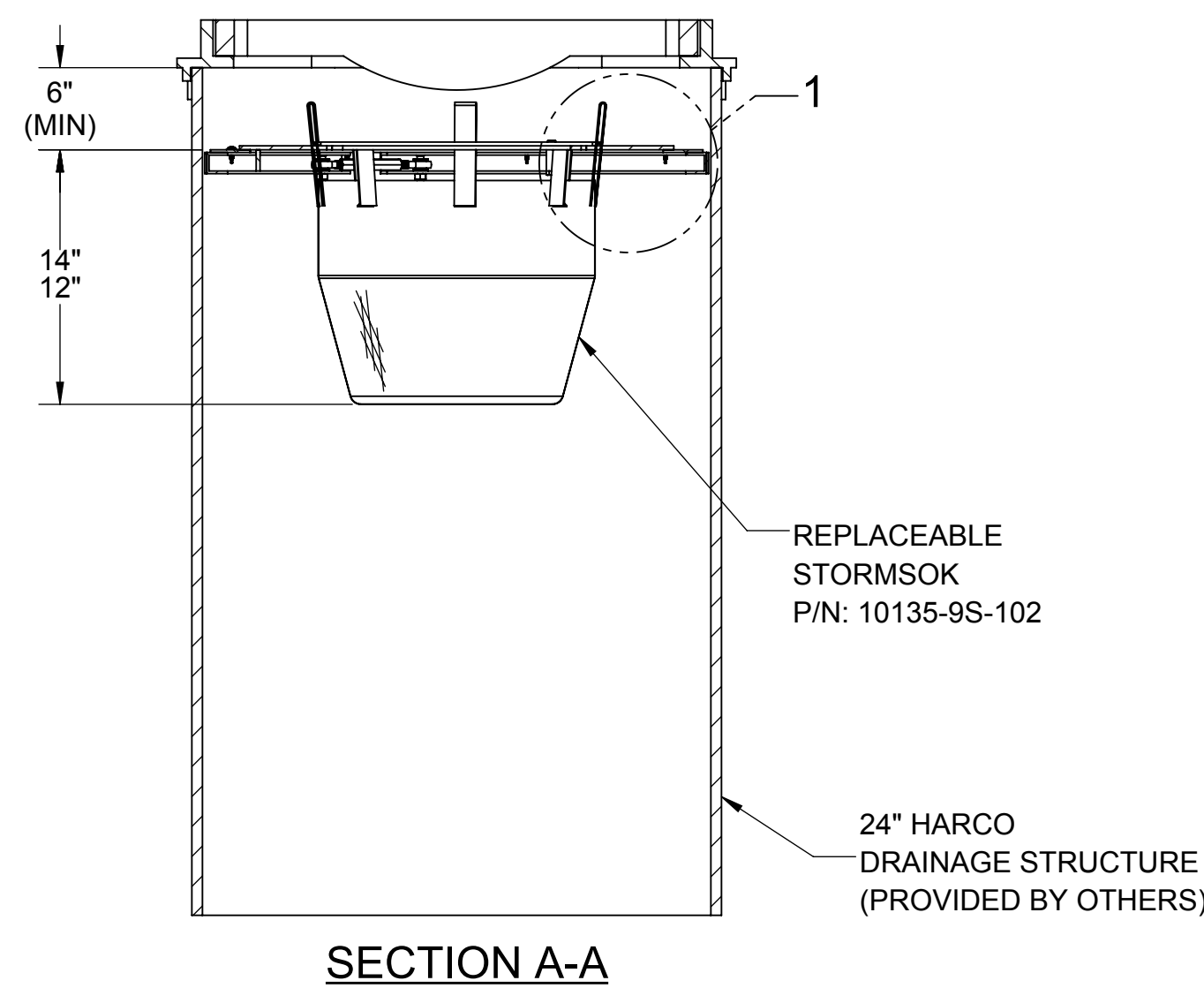
STORMSOK FITS DOME HARCO 24" GRATE



STORMSOK FITS 2 X 3 HARCO 24" GRATE



STORMSOK FITS 2 X3 HARCO 24" CURB INLET



PROPRIETARY AND CONFIDENTIAL
 THIS DOCUMENT IS THE PROPERTY OF FABCO INDUSTRIES AND IS CONVEYED WITH THE EXPRESS CONDITION THAT IT AND THE INFORMATION CONTAINED IN IT ARE NOT TO BE USED, DISCLOSED, OR REPRODUCED IN WHOLE OR IN PART, FOR ANY PURPOSE WITHOUT THE EXPRESS WRITTEN CONSENT OF FABCO INDUSTRIES; AND THAT NO RIGHT IS GRANTED TO DISCLOSE OR SO USE ANY INFORMATION CONTAINED IN SAID DOCUMENT.

UNLESS OTHERWISE SPECIFIED REMOVE ALL BURRS BREAK SHARP EDGES .002 - .020 FILLETS .020 MAX DIMENSIONS ARE IN INCHES AND INCLUDE CHEMICALLY APPLIED OR PLATED FINISHES		TOLERANCES: DEC .00 ± .01 DEC .000 ± .005 FRACT ± 1/16 ANGLE ± 2°	
PROJECT	SEE NOTES	APPROVAL	DATE
MATERIAL	SEE NOTES	DWN MS	1/9/15
MODEL LINK	10135-9S-000	ENGR JP	1/9/15
		ARVD	

FABCO INDUSTRIES, INC. 66 CENTRAL AVENUE FARMINGDALE, NY 11735 WWW.FABCO-INDUSTRIES.COM	
--	--

TITLE: STORMSOK AND EXPANSION RING FOR 24" SQUARE HARCO STORM DRAIN	
SIZE D	DWG. NO. 10135-9S-000
SCALE: NONE	REV C
SHEET 1 OF 1	

