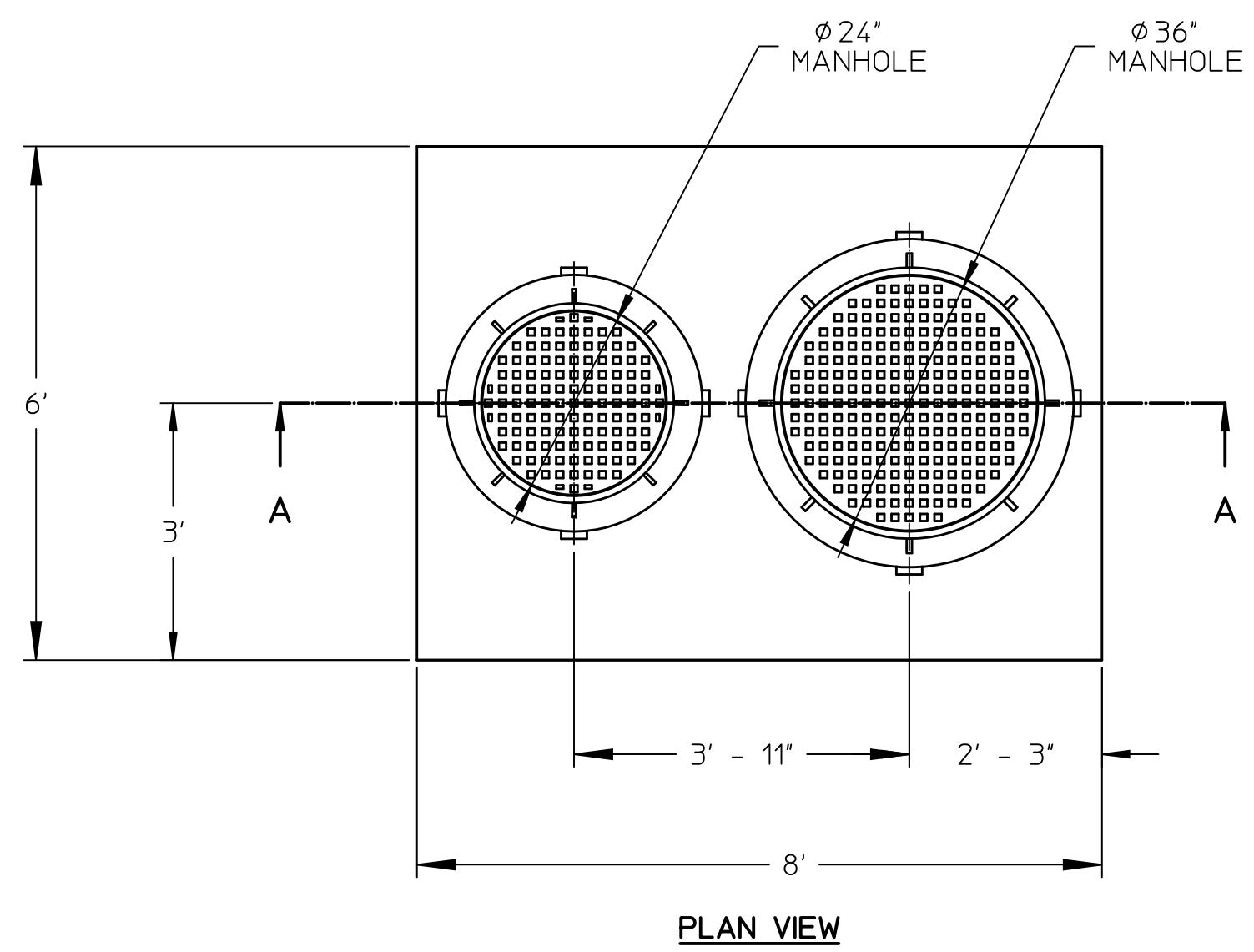


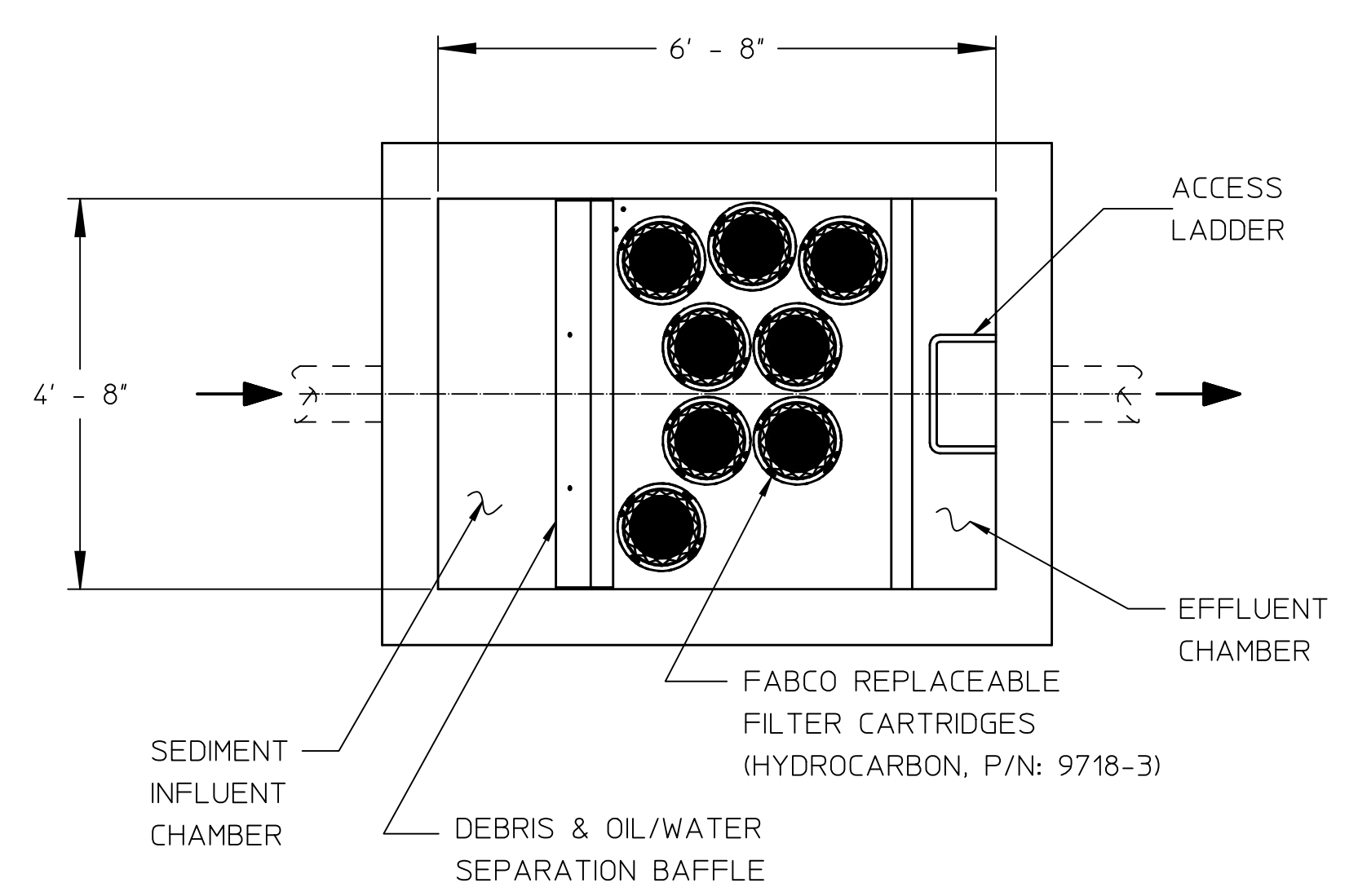
THIS DOCUMENT IS THE PROPERTY OF FABCO INDUSTRIES AND IS CONVEYED WITH THE EXPRESS CONDITION THAT IT AND THE INFORMATION CONTAINED IN IT ARE NOT TO BE USED, DISCLOSED, OR REPRODUCED IN WHOLE OR IN PART, FOR ANY PURPOSE WITHOUT THE EXPRESS WRITTEN CONSENT OF FABCO INDUSTRIES, AND THAT NO RIGHT IS GRANTED TO DISCLOSE OR SO USE ANY INFORMATION CONTAINED IN SAID DOCUMENT.

REVISIONS			
REV	DESCRIPTION	DATE	APPROVED
B	ECN9959-1-000B	9/26/2012	

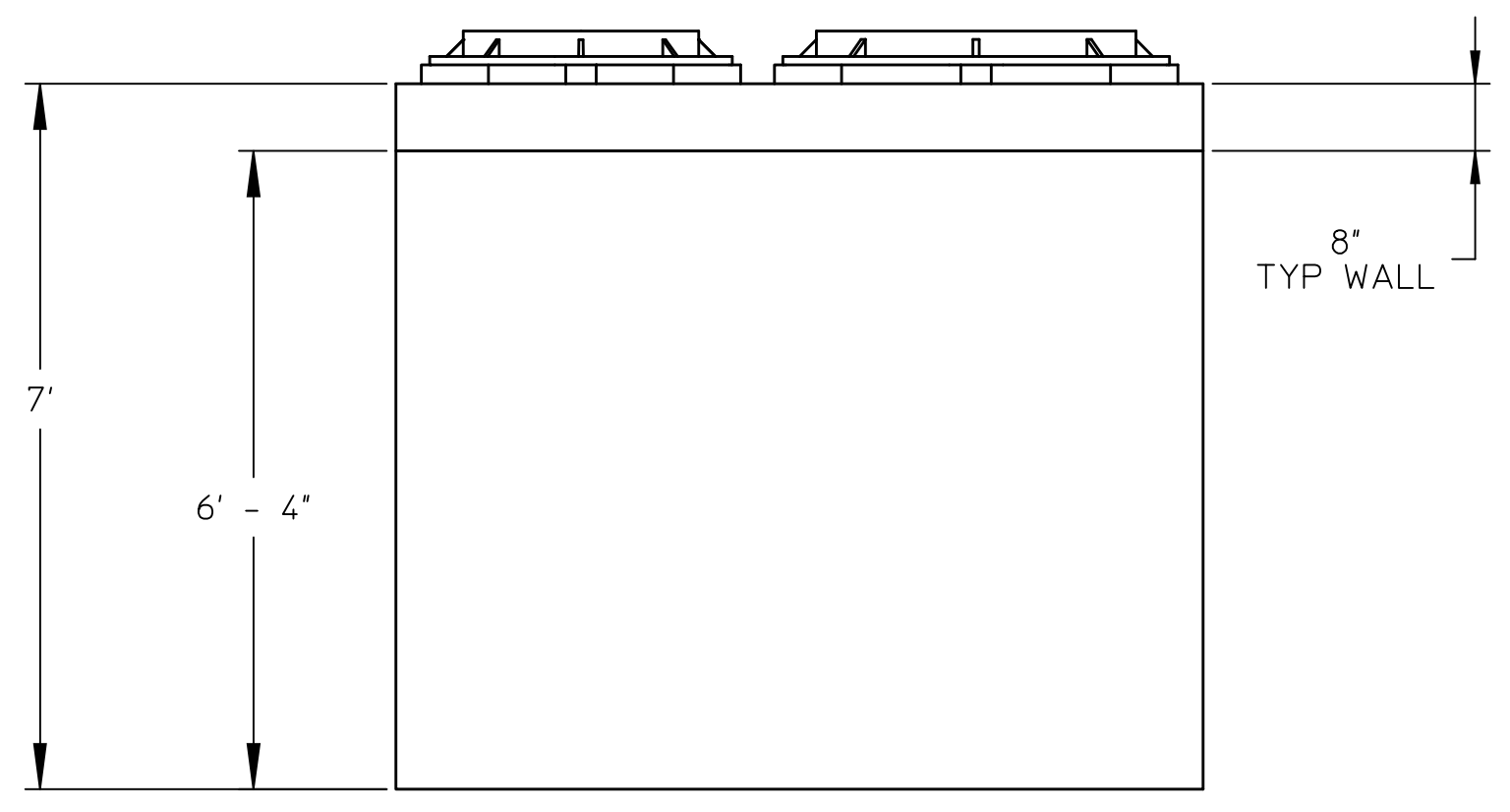
- NOTES (REF):
- WEIGHT ESTIMATE:
    - COVER: 4,500-LB
    - BASE W/ FILTERS: 21,500-LB
  - MATERIALS MEET OR EXCEEDS REQUIREMENTS:
    - VAULT:
      - REINFORCEMENT STEEL: REBAR, ASTM A-615 GRADE 60
      - CEMENT: ASTM C-150 SPECIFICATIONS  
CONCRETE 28 DAY COMPRESSIVE STRENGTH SHALL BE 5000 PSI (MIN)
    - ACCESS MANHOLES: ASTM-A-48, CLASS 35B GRAY IRON OR ASTM A536, GRADE 80-55-06 DUCTILE IRON.
  - CONCRETE STRUCTURE DESIGN LOADINGS:
    - AASHTO HS-20 LOAD RATING.
    - SOIL WEIGHT = 120 PCF
    - DEPTH OF OVERBURDEN: NONE
    - EQUIVALENT FLUID PRESSURE = 40 PCF
    - LATERAL LIVE LOAD SURCHARGE PER SPECS.
  - PERFORMANCE CHARACTERISTICS (W/ FABCO HIGH FLOW CARTRIDGE):
    - MAXIMUM CARTRIDGE CAPACITY = 8
    - MAXIMUM TREATMENT CAPACITY - 4.6 CFS (2080 GPM)
    - BYPASS CAPACITY PER ENGINEER OF RECORD
  - EAST JORDAN IRON WORKS (EJIW) #1581 & EJIW #1480 CASTINGS ARE RATED FOR REPEATED VEHICULAR TRAFFIC AND CONFORM TO AASHTO M306 STANDARDS. FINAL MANHOLE OR ACCESS HATCH INSTALLATION, AND ADJUSTMENT TO GRADE, SHALL BE PERFORMED BY QUALIFIED PERSONNEL.
  - EXCAVATION, DEWATERING, DRAINAGE FILL, AND BACK FILL OPERATIONS SHALL BE PERFORMED IN ACCORDANCE WITH OSHA AND LOCAL REGULATIONS AND ARE THE RESPONSIBILITY OF THE CONTRACTOR. SUB-BASE AND BACKFILL DEPTH ARE SITE SPECIFIC AND SHALL BE SPECIFIED BY THE ENGINEER OF RECORD.
  - THE CONTRACTOR SHALL VERIFY THAT THE UNIT IS VERTICALLY AND HORIZONTALLY PLUMB AND STABLE, WITH MINIMUM VOIDS AND MINIMUM UN-COMPACTED SOIL AFTER BACK FILL OPERATION.
  - CONNECT EXISTING DRAIN LINE TO STORMSAFE INLET AND OUTLET PORTS WITH APPROVED NON-SHRINKING GROUT-FILL IN ACCORDANCE WITH GROUT MANUFACTURERS INSTRUCTIONS. ALL GROUT-FILL MATERIALS SHALL BE SUPPLIED BY THE CONTRACTOR. THE STORMSAFE "INLET" AND "OUTLET" PORTS ARE CLEARLY LABELED WITH BLACK PAINT. INLET AND OUTLET DRAIN LINES ARE TO BE ALIGNED FLUSH WITH RESPECT TO THE INTERIOR VAULT WALLS.
  - MAINTENANCE AND CARTRIDGE FILTER REPLACEMENT INSTRUCTIONS ARE PROVIDED SEPARATELY BY FABCO AND ARE SITE SPECIFIC.
  - CARTRIDGE FILTER REPLACEMENT (IN GENERAL):  
FOR BEST PERFORMANCE REPLACE CARTRIDGE FILTERS IAW FABCO RECOMMENDATIONS. HIGH CONTAMINANT LOCATIONS MAY REQUIRE MORE FREQUENT CARTRIDGE REPLACEMENT. REMOVE ANY DEBRIS OR HEAVY SEDIMENT FROM THE INFLUENT AND EFFLUENT CHAMBERS. ENTER THE STORMSAFE CARTRIDGE CHAMBER IN ACCORDANCE WITH STATE AND LOCAL REGULATIONS FOR ENCLOSED SPACE ENTRY. REMOVE EACH CARTRIDGE BY ROTATING 30-DEGREES IN THE CLOCKWISE DIRECTION AND LIFTING. LIKEWISE, INSTALL THE NEW CARTRIDGE AND LOCK IN PLACE BY ROTATING 30-DEGREES IN THE COUNTER CLOCKWISE DIRECTION. DISPOSE OF USED FILTER CARTRIDGES PER LOCAL REGULATIONS.



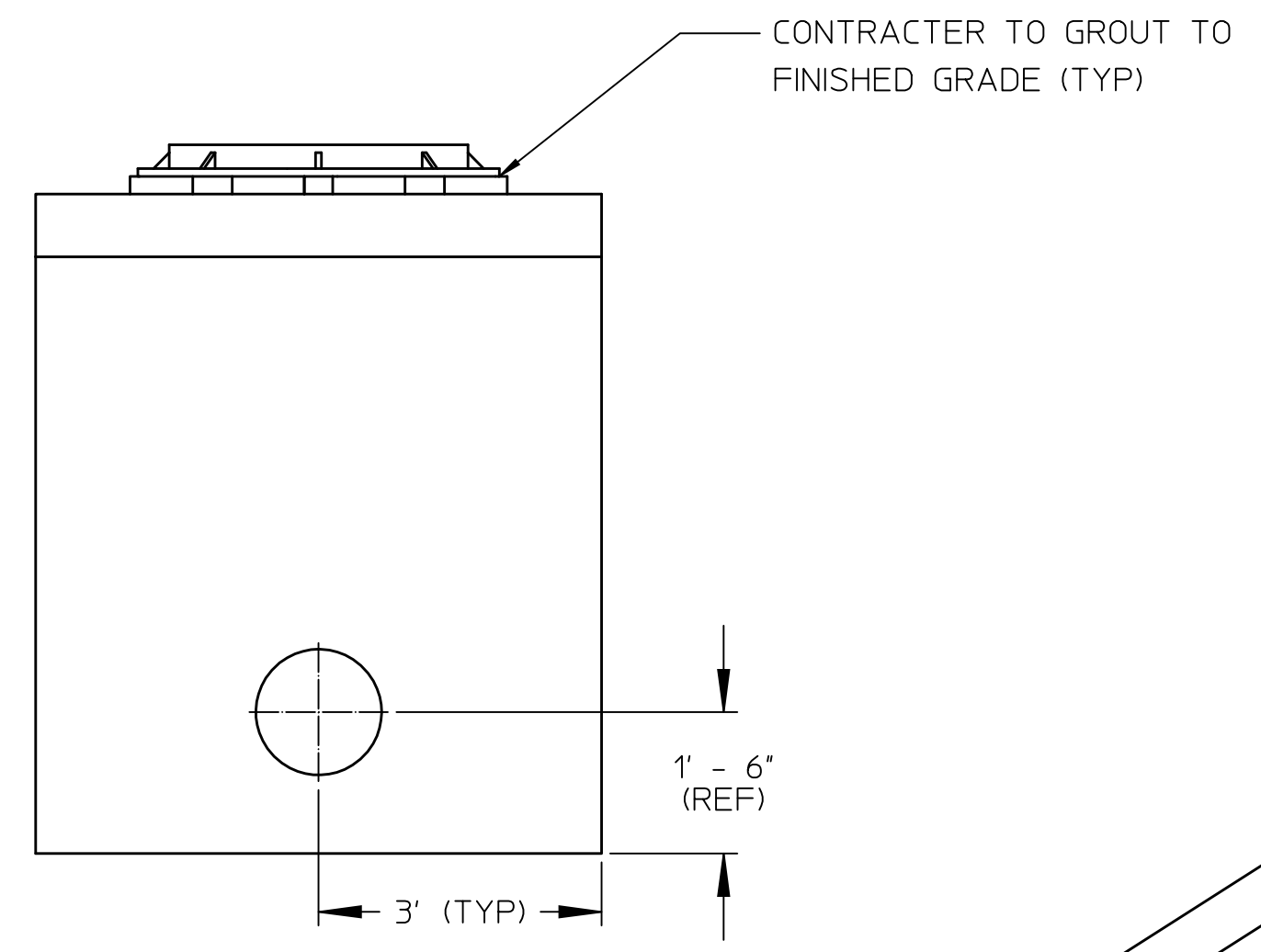
PLAN VIEW



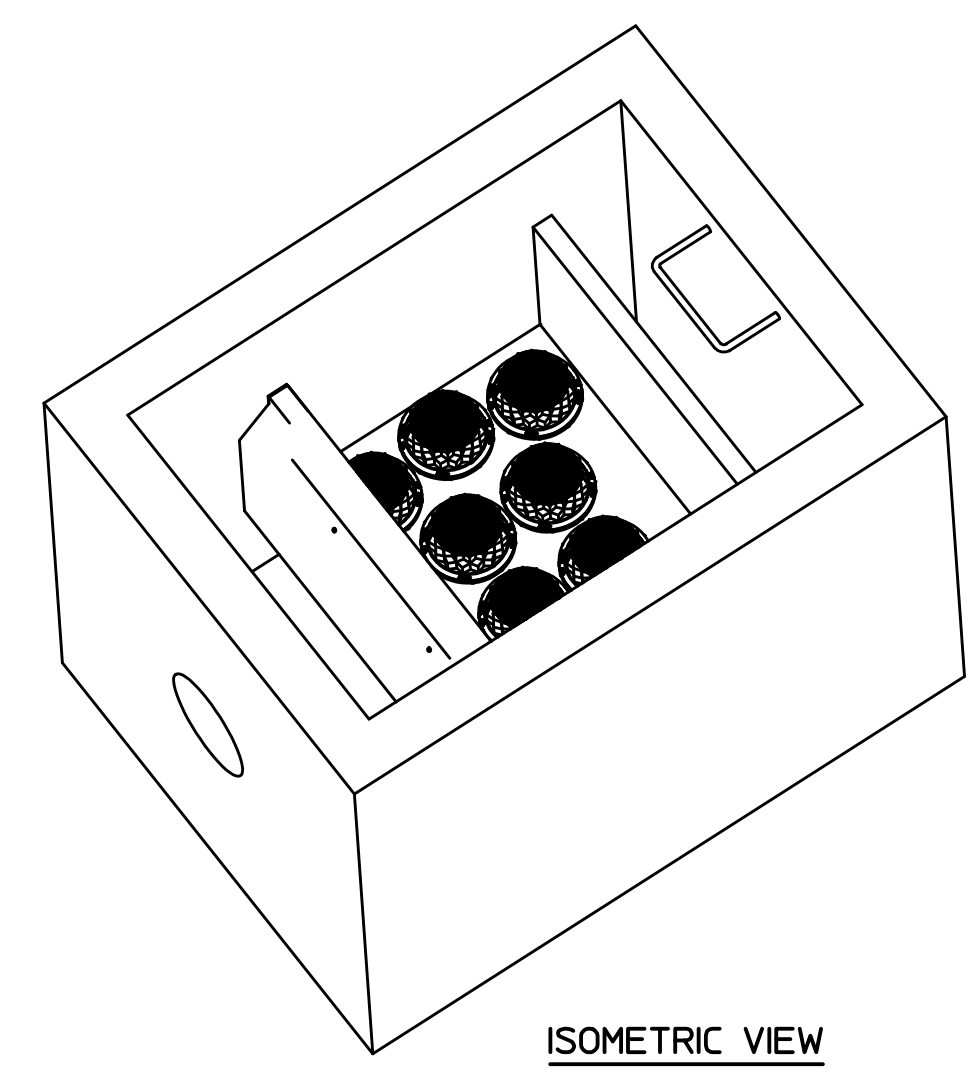
PLAN VIEW WITHOUT TOP SLAB



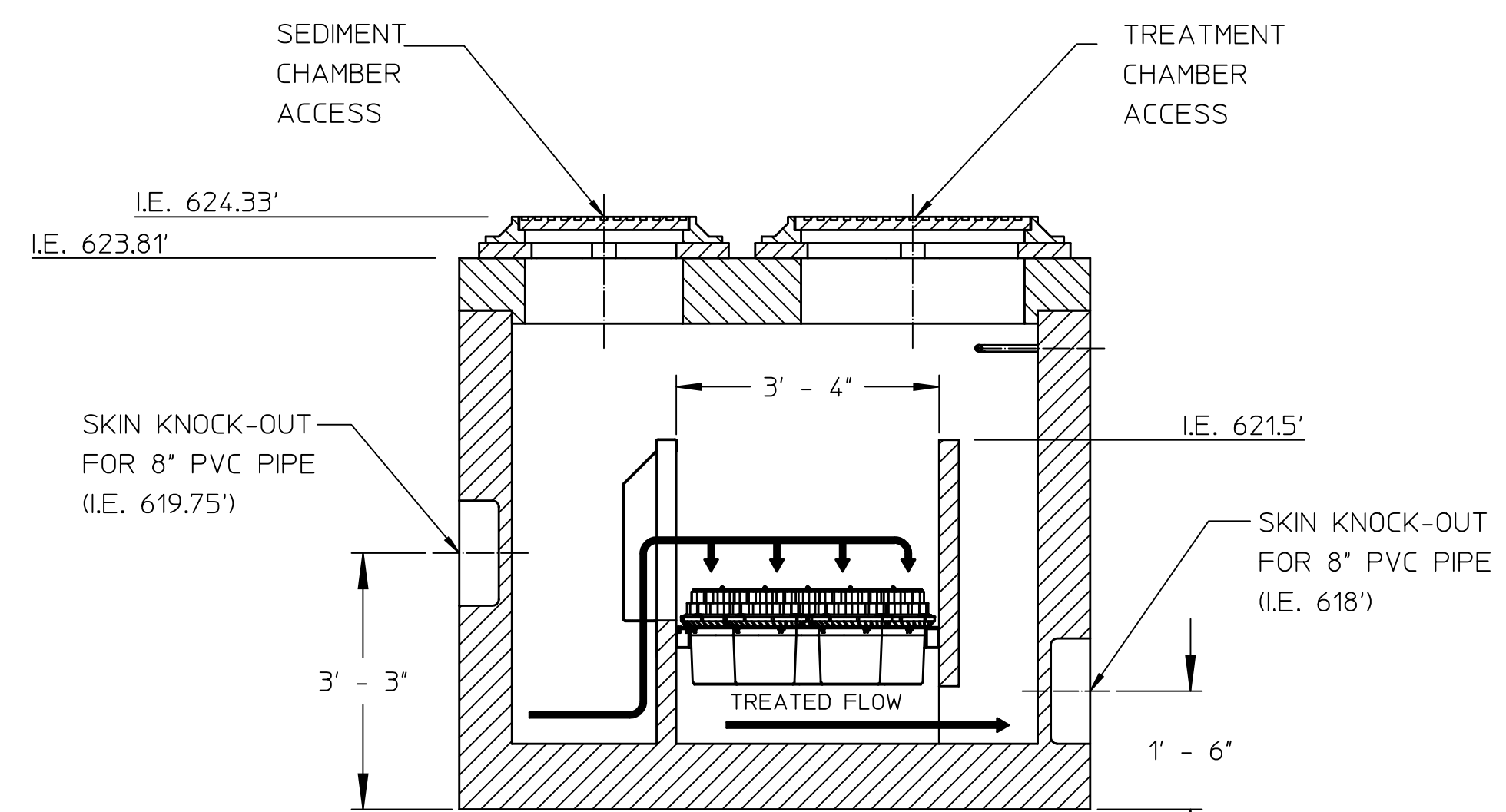
SIDE VIEW



END VIEW



ISOMETRIC VIEW



SECTION A-A

NOT FOR CONSTRUCTION

NO	QTY	PART NUMBER	DESCRIPTION	REMARKS
<b>BILL OF MATERIALS</b>				
UNLESS OTHERWISE SPECIFIED		TOLERANCES:		
REMOVE ALL BURRS		DEC .00 ± .01		
BREAK SHARP EDGES .002 - .020		DEC .000 ± .005		
FILLETS .020 MAX		FRAC 1/16		
DIMENSIONS ARE IN INCHES AND		ANGLE ± 2°		
INCLUDE CHEMICALLY APPLIED		Rg FINISH		
OR PLATED FINISHES		DO NOT SCALE THIS DRAWING		
APPROVALS		DATE		
DWN R.MARSTON		5/16/12		
CHKR S.GORNEAU		5/16/12		
ENGR J.PETERS		5/16/12		
APVD				
MATERIAL		SEE NOTES		
MODEL LINK		9959-1_ASSY		
FABCO INDUSTRIES, INC.		66 CENTRAL AVENUE FARMINGDALE, NY 11735		
WWW.FABCO-INDUSTRIES.COM				
TITLE		MID STATE RECYCLING GLASGOW, KENTUCKY STORMSAFE CARTRIDGE VAULT		
SIZE		CAGE CODE DWG NO		
D		1P8A4 9959-1-000		
SCALE		1/2" = 1' WT		
SHEET		1 OF 1		