

StormSack, Type X
Sub-Surface Installation Instructions

StormSack
Sediment Control Barrier

Fabco Industries, Inc. • 66 Central Ave. Farmingdale, NY 11735 • (631) 393-6024

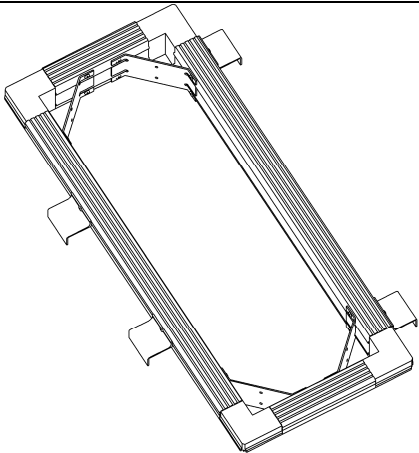
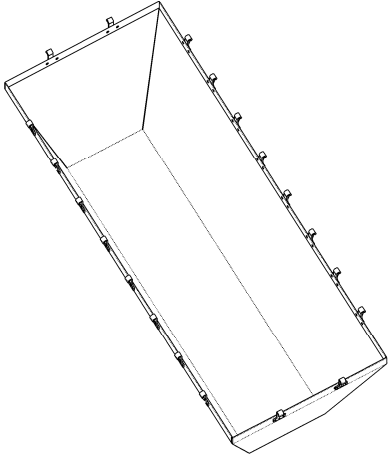
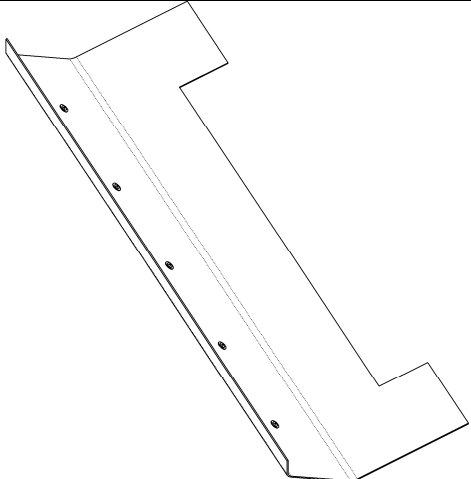
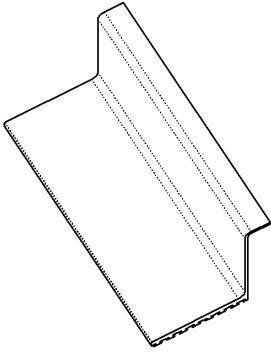
www.fabco-industries.com

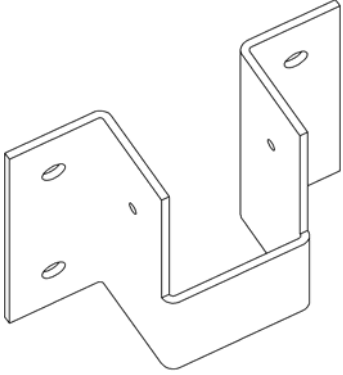
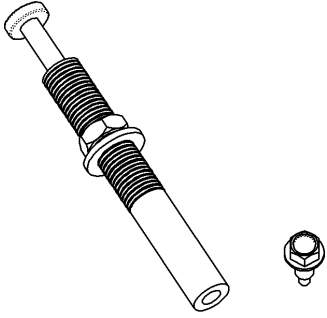
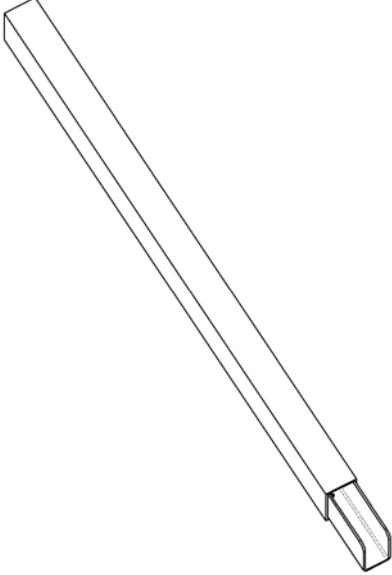
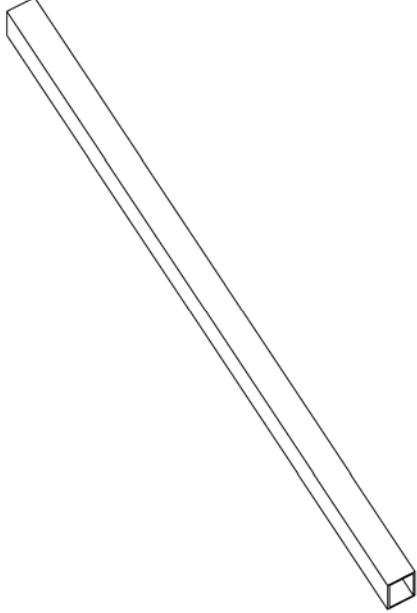
Installation instructions for StormSack Sub-Surface Type X Configuration

Included in this package:

- (x1) StormSack mounting frame**
- (x1) Replaceable StormSack**
- (x1) Rubber Splash Guard**
- (x2) Drop Flanges**
- (x4) Wall Cleats**

- (x16) Concrete Wall Anchors**
- (x18) Self Tapping Screws**
- (x2) Male Support Rails**
- (x2) Female Support Rails**

	
<p>(x1) StormSack mounting frame</p>	<p>(x1) Replaceable StormSack</p>
	
<p>(x1) Rubber Splash Guard</p>	<p>(x2) Drop Flanges</p>

	
<p>(x4) Wall Cleats</p>	<p>(x16) Concrete Wall Anchors / (x18) Self Tapping Screws</p>
	
<p>(x2) Male Support Rails</p>	<p>(x2) Female Support Rails</p>

Tools needed for installation:

1. Tape Measure – 12' min.
2. ½" Hammer Drill (Milwaukee 0-500, 0-200 RPM 18v LokTor or equivalent)
3. 3/8" Concrete drill bit (bring spares)
4. Saws-all for trimming pipes or other objects that extend into vault
5. Work lights for sub-surface use
6. Dust and eye protection
7. Hammers: 1 steel
8. Open end wrench: 9/16"
9. Hand chisel to remove small bits of concrete
10. Screw gun/Drill with: 5/16' drive socket tip and a Phillips head tip (bring spares of both)
11. Paint pen for marking drill hole patterns on concrete walls
12. Razor Knife(s)
13. Manhole Lifter
14. 2' Level
15. Ladder or other device to allow installer to easily access vault manhole opening.
16. Hole punch

Other Suggested tools:

1. Electric miter saw 10" or 12" with metal (Aluminum) cutting blade
2. Electric generator >5500 running watts (Coleman Power Mate or equivalent)
3. Extension cord(s)
4. Rubber boots for installer(s) – the vaults may be wet and / or muddy
5. WD-40 spray – applies to mounting flanges and dove-tail mounts prior to installation and lubricate aluminum rail before cutting.
6. Metal Scraper
7. Small hand brush for removing dirt/grit from ledges and frames
8. Short handle shovel
9. 1 Rubber mallet

1 Set up proper safety precautions in accordance with local regulations. Use traffic cones to block off area of install. Wear protective gear such as hard hat, eye protection and knee-pads and respirator as required.

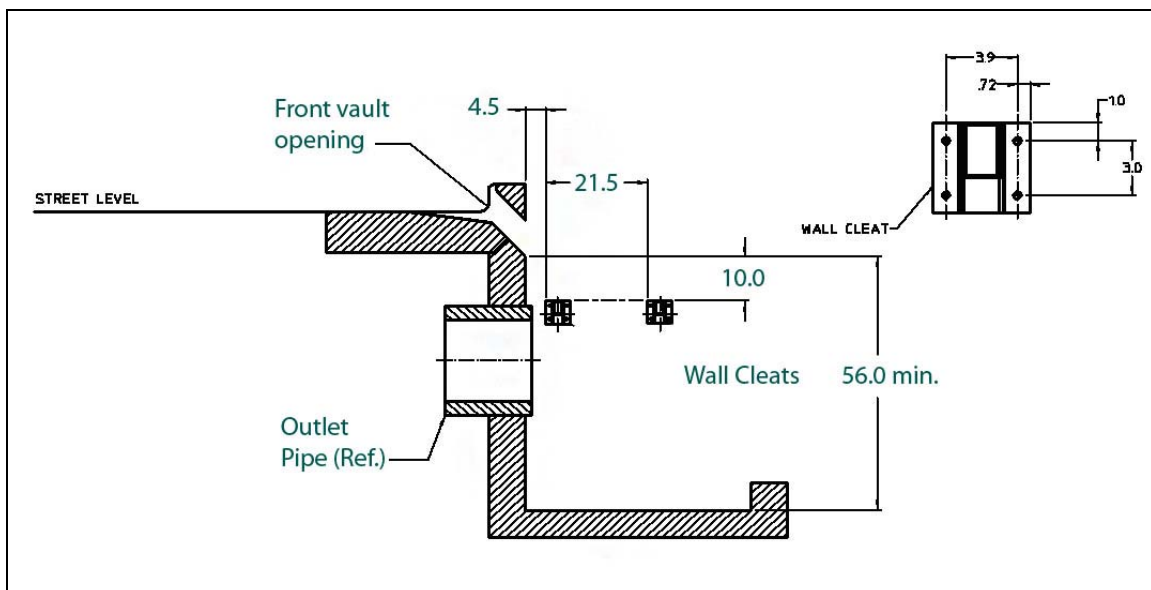
2 Lift Manhole cover and inspect drain for protrusions or any objects that may interfere with the installation of the fitting kit.

3 Carefully prepare the work area by removing any interfering objects such as concrete, loose brick, rebar, roots, pipes and make sure everything is flush with walls.

4 Inspect the interior walls of the vault as well as vault depth to verify sufficient mounting surfaces for each of the (4) wall cleats as specified in step 5.

Note: If one or both side walls preclude the installation of the wall cleats, contact Fabco Industries for special mounting rails. (e.g. Loose brick, pipes etc.)

5 Using the concrete wall anchors, secure the wall cleats to both side walls in accordance with detail section A-A, shown below.



6

Take measurement from wall to wall on inside of wall cleats then subtract $\frac{1}{2}$ ". Assemble male and female rails together, measure and cut to size. (e.g. For wall to wall measure of 72", cut your rail to 71.5")



7

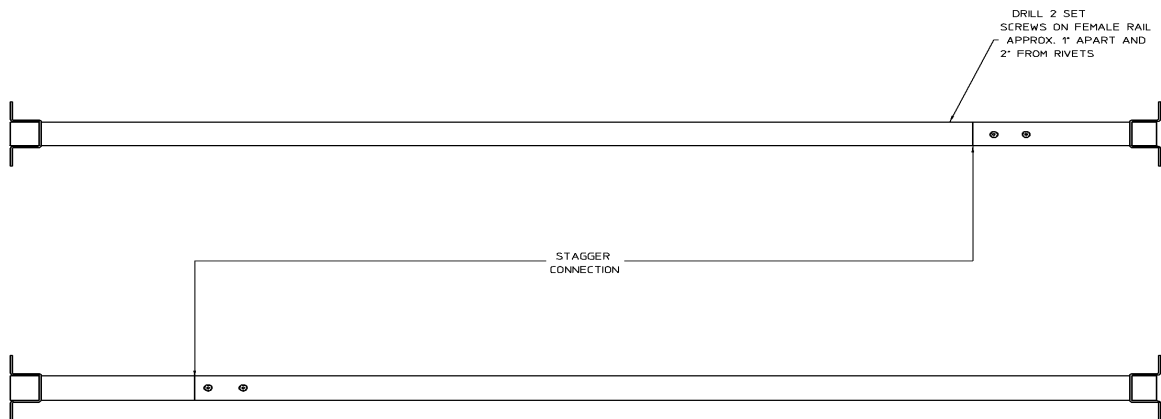
Connect the male and female rails together and locate each rail-set on the attached wall cleats as illustrated. As shown, secure the rails to the wall cleats using the self drilling screws provided.

Note: Due to depth limitations it is sometimes necessary to connect the male and female rails together inside the storm vault.



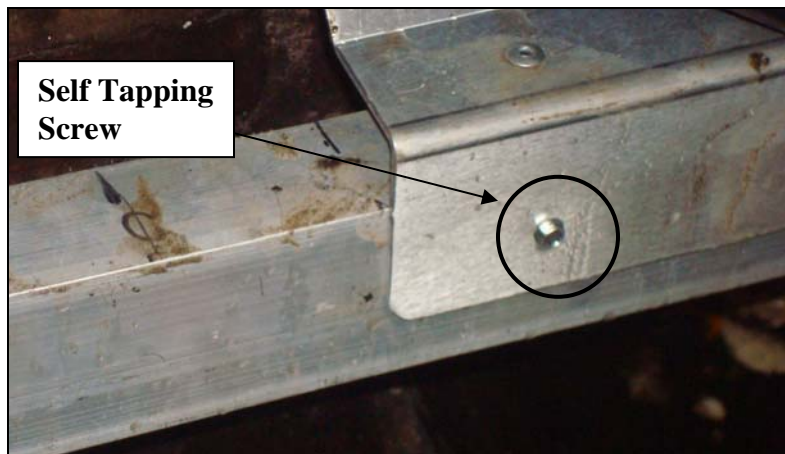
8

Using the pre-drilled holes, connect the Male and Female Support Rails using the self-tapping screws provided. Be sure to stagger the connection seams to help evenly distribute the stress loads.



9

Mount Rubber Splashguard in place under grate opening, using self-tapping screws, mount it to the horizontal rail closest to the street-side. Begin to tuck rubber under concrete and cut off excess as necessary. As seen in pictures A-A, B-B & C-C.



A-A



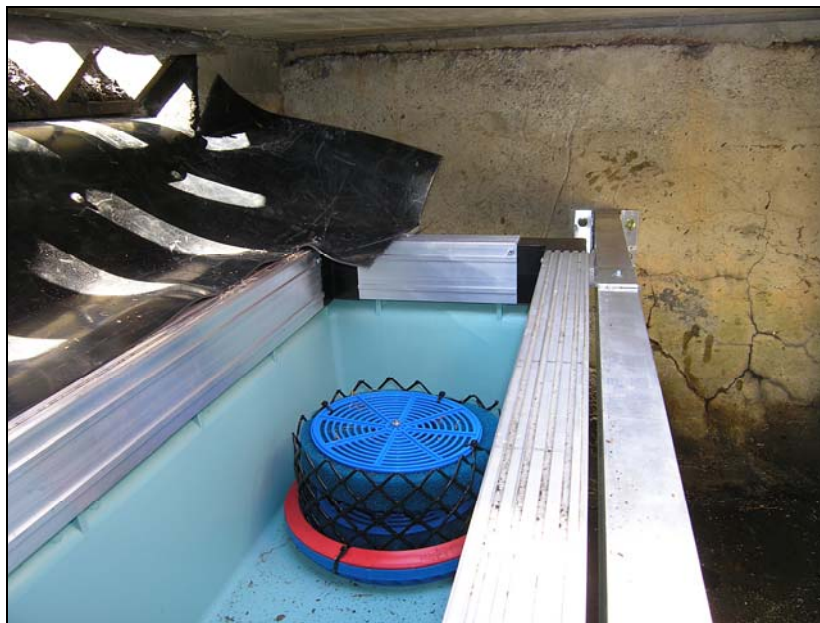
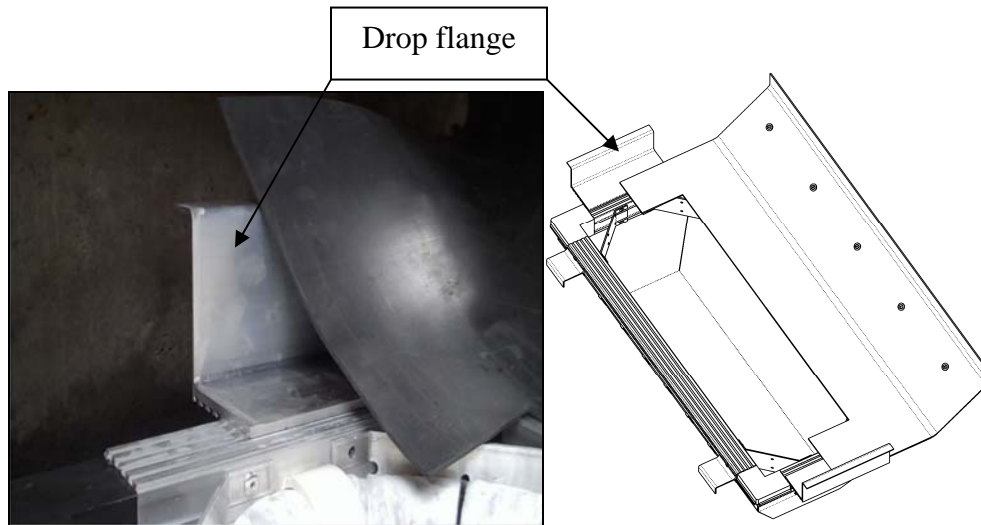
B-B



C-C

10 Attach Stormsack with clips to mounting frame then hand it down the manhole shifting it left and right to fit it through the opening.

11 When the Storm Sack is mounted and in place proceed to attach the drop flanges to the left and right side of the mounting frame and wrap the Rubber Splashguard to the inside forming a spout for water to flow into the filter unit.



When fully installed, unit should look similar to one shown above.