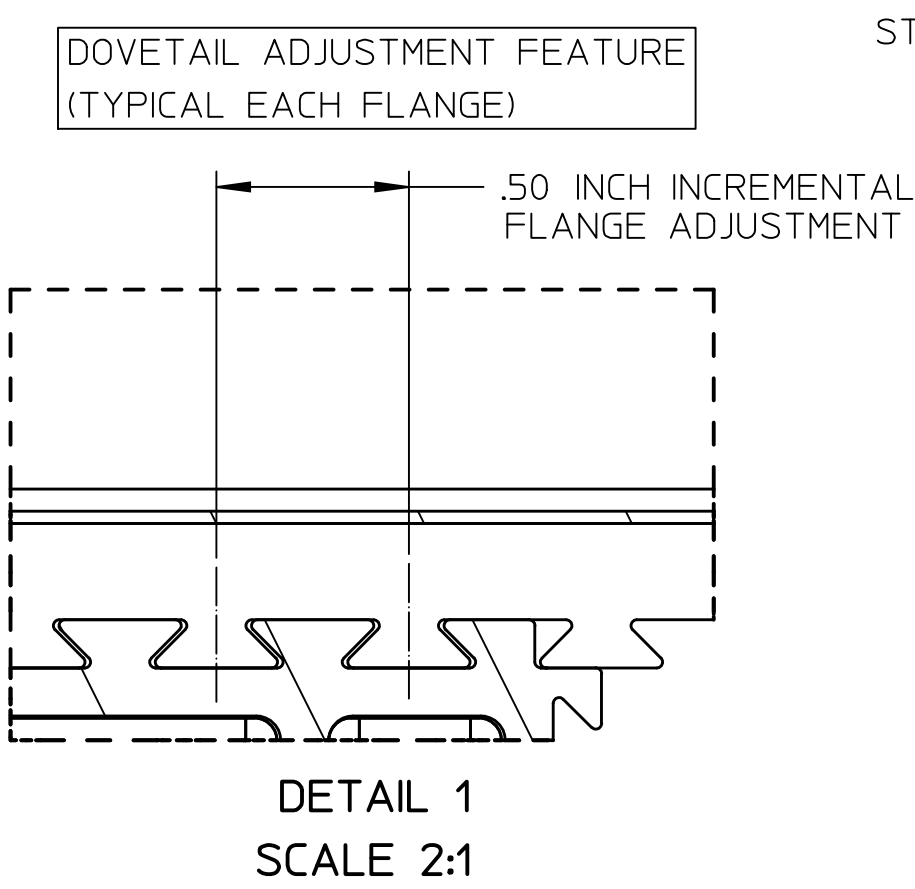
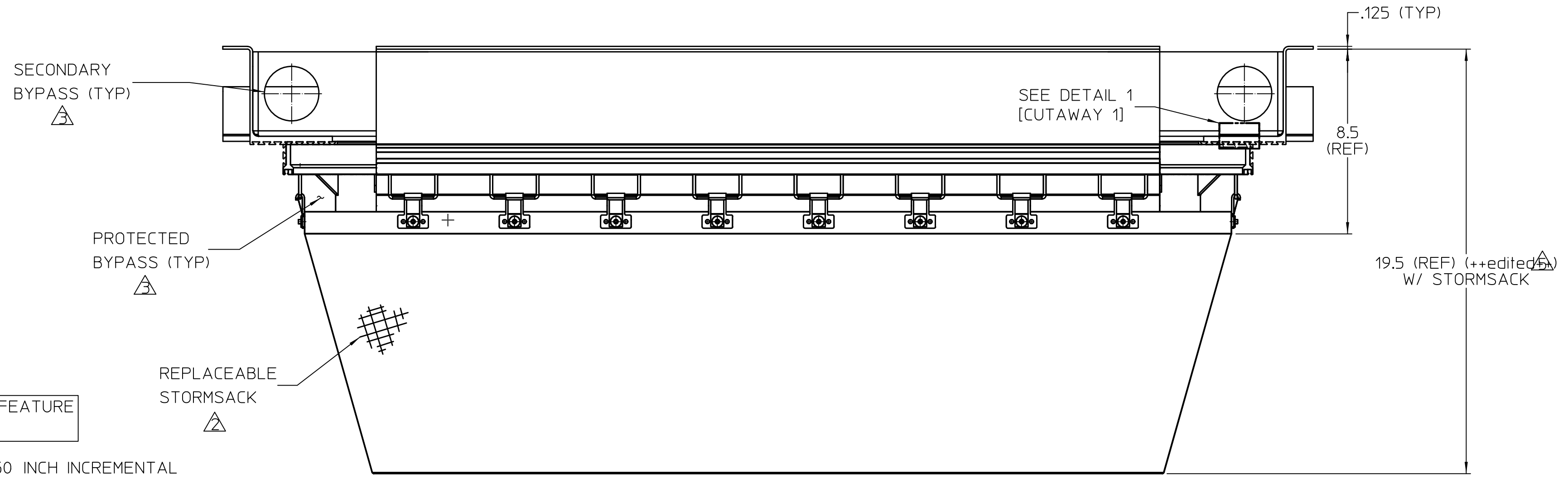
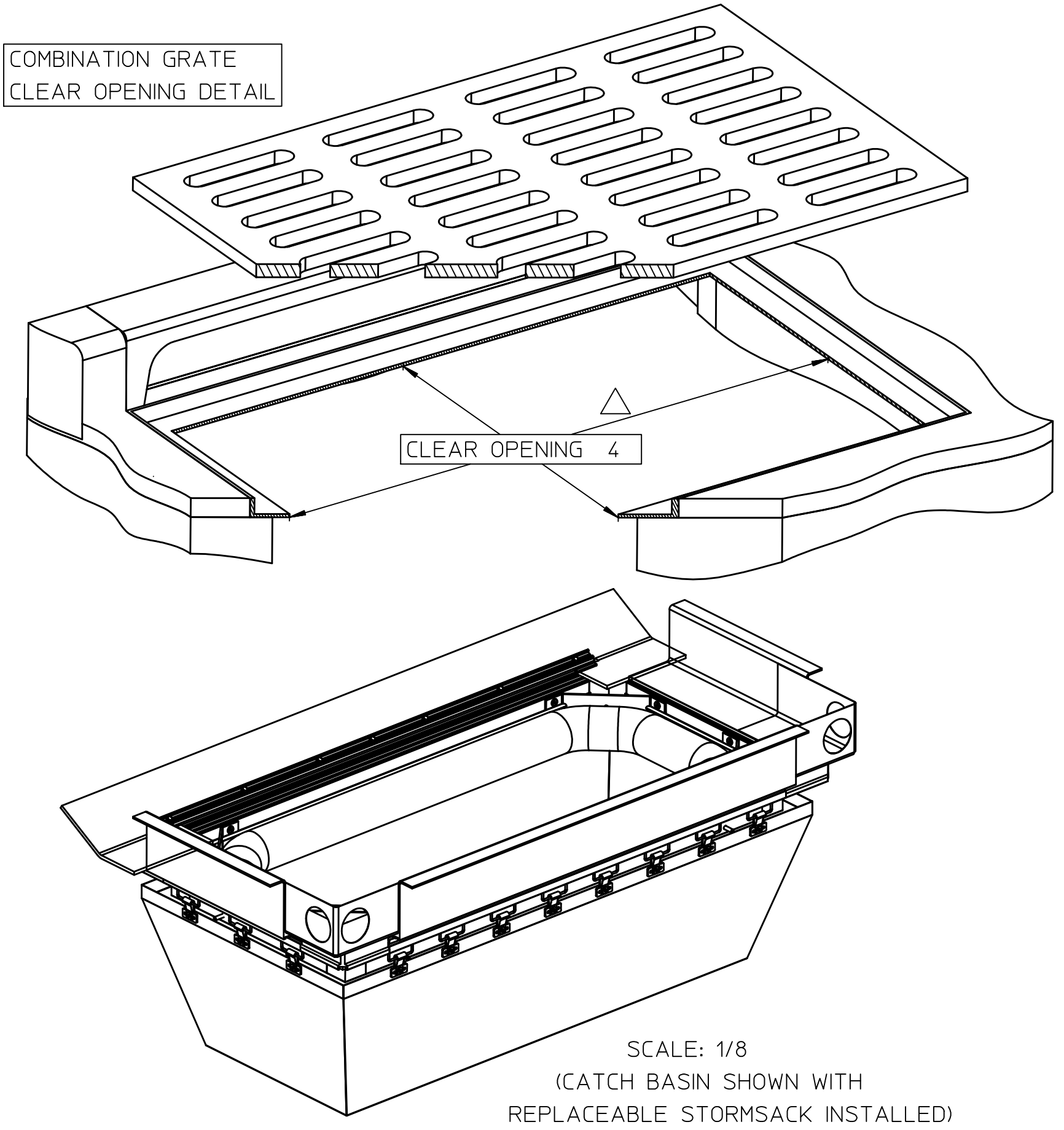
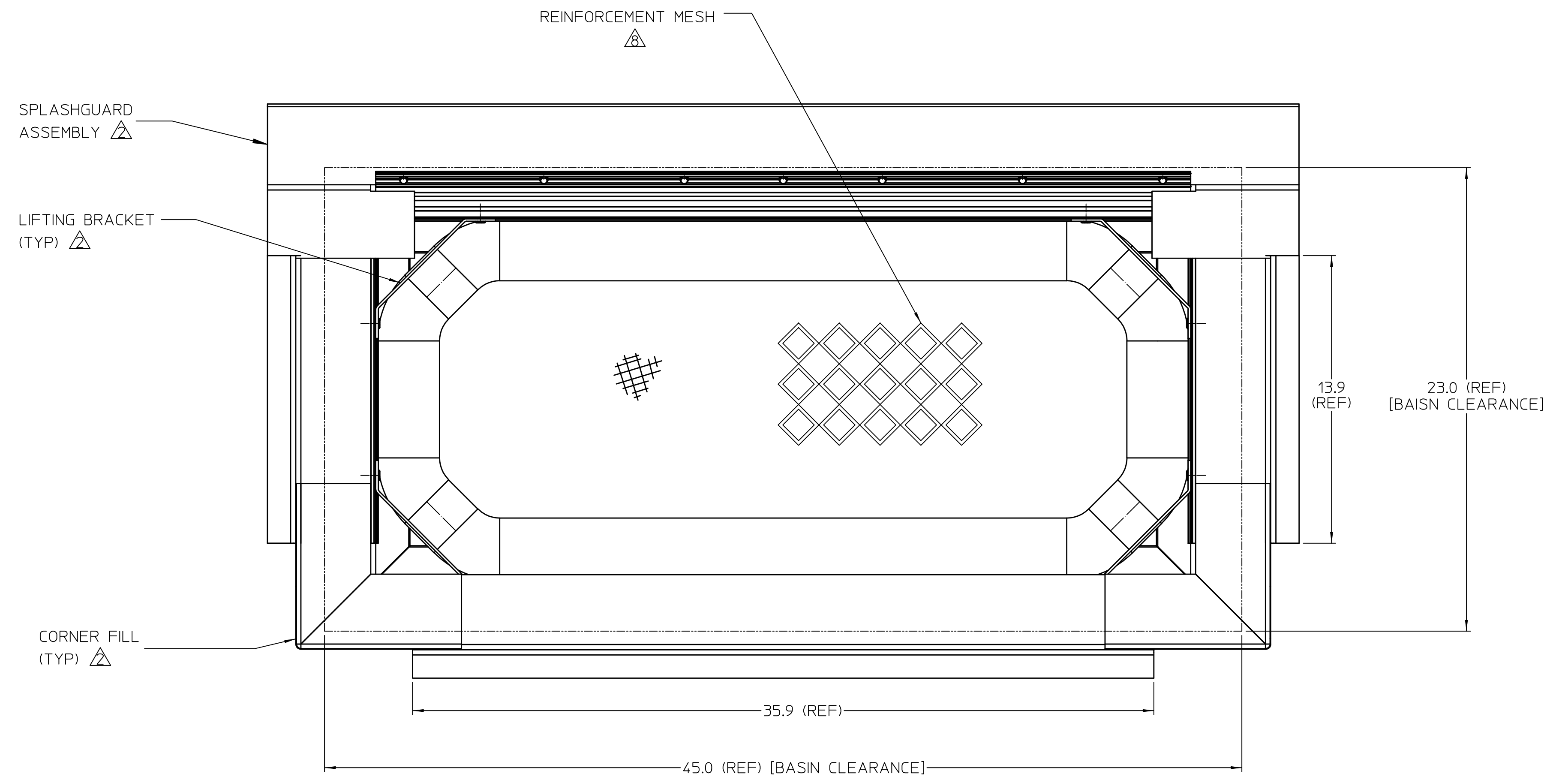


THIS DOCUMENT IS THE PROPERTY OF FABCO INDUSTRIES AND IS CONVEYED WITH THE EXPRESS CONDITION THAT IT AND THE INFORMATION CONTAINED IN IT ARE NOT TO BE USED, DISCLOSED, OR REPRODUCED IN WHOLE OR IN PART, FOR ANY PURPOSE WITHOUT THE EXPRESS WRITTEN CONSENT OF FABCO INDUSTRIES, AND THAT NO RIGHT IS GRANTED TO DISCLOSE OR SO USE ANY INFORMATION CONTAINED IN THIS DOCUMENT.

NOTES:

- WEIGHT (EMPTY): 25 LB MAX
- MATERIAL:
 - ADJUSTABLE FLANGE AND DEFLECTOR ALUMINUM ALLOY 6063-T6
 - SPLASH GUARD: NEOPRENE RUBBER (TRIM TO FIT)
 - STORMSACK: GEOTEX 117F, REINFORCEMENT RIBBON
 - MESH LINER: HDPE, DIAMOND PATTERN
 - LIFTING TABS: ALUMINUM ALLOY: 5052-H32
 - CORNER FILL: ALUMINUM ALLOY: 5052-H32
 - SUPPORT HARDWARE: CRES 300 SERIES
 - OIL BOOM: POLYPROPYLENE, 3" DIAMETER
- PERFORMANCE CHARACTERISTICS (TYP):
 - DEBRIS CAPACITY: 7.8 CU-FT.
 - FILTERED FLOW RATE (INITIAL): 2686 GPM (5.9 CFS)
 - PRIMARY BYPASS FLOW RATE: 2147 GPM (4.8 CFS)
 - SECONDARY BYPASS FLOW RATE: 164 GPM (.37 CFS)
 - TOTAL BYPASS FLOW RATE: 2311 GPM (5.1 CFS)
 - OIL BOOM ABSORPTION CAPACITY: 410 OZ (3.2 GAL)
- CLEAR OPENING RANGE (.5 INCH INCREMENTS):
 - MINIMUM SIZE: 23.0 X 45.0
 - MAXIMUM SIZE: 28.0 X 50.0
- RECOMMENDED MINIMUM VAULT DEPTH: 2-IN BELOW STORMSACK
- TYPICAL INSTALLATION: REMOVE STORM GRATE, MEASURE CATCH BASIN CLEAR OPENING AND ADJUST FLANGES TO REST ON GRATE SUPPORT LEDGE, INSTALL STORMSACK WITH SPLASH GUARD UNDER CURB OPENING AND SO THE ADJUSTABLE FLANGES ARE RESTING ON THE GRATE SUPPORT LEDGE, INSTALL CORNER FILL PIECES, REINSTALL STORM GRATE DIRECTLY ON STORMBASIN SUPPORT FLANGES.
- USE WITH FABCO REPLACEABLE STORMSACK ONLY, FABCO PART NO: 9749-1-200.

REVISIONS			
REV	DESCRIPTION	DATE	APPROVED
E	New Splash-Guard Rubber	07/11/13	



NO	QTY	PART NUMBER	DESCRIPTION	REMARKS
BILL OF MATERIALS				
UNLESS OTHERWISE SPECIFIED		TOLERANCES:		
REMOVE ALL BURRS		DEC .00 + .01		
BREAK SHARP EDGES .002 - .020		DEC .000 + .005		
FILLETS .020 MAX		FRACT ± 1/16		
DIMENSIONS ARE IN INCHES AND		ANGLE ± 2°		
INCLUDE CHEMICALLY APPLIED		R _a FINISH 125		
OR PLATED FINISHES				
DO NOT SCALE THIS DRAWING				
MATERIAL		SEE NOTES		
MODEL LINK		9749-1E_ASSY2		
APPROVALS		DATE		
DWN N.NEUWIRTH		02/18/08		
CHKR				
ENGR J. PETERS		02/18/08		
APVD				
TITLE		STORMSACK, TYPE E FLANGE		
SIZE		CAGE CODE		DWG NO
D		1P8A4		9749-1E-000
SCALE		WT		REV
1/4				E
SHEET				1 OF 1



FABCO INDUSTRIES, INC.
170 WILBUR PLACE
SUITE 12
BOHEMIA NY 11716