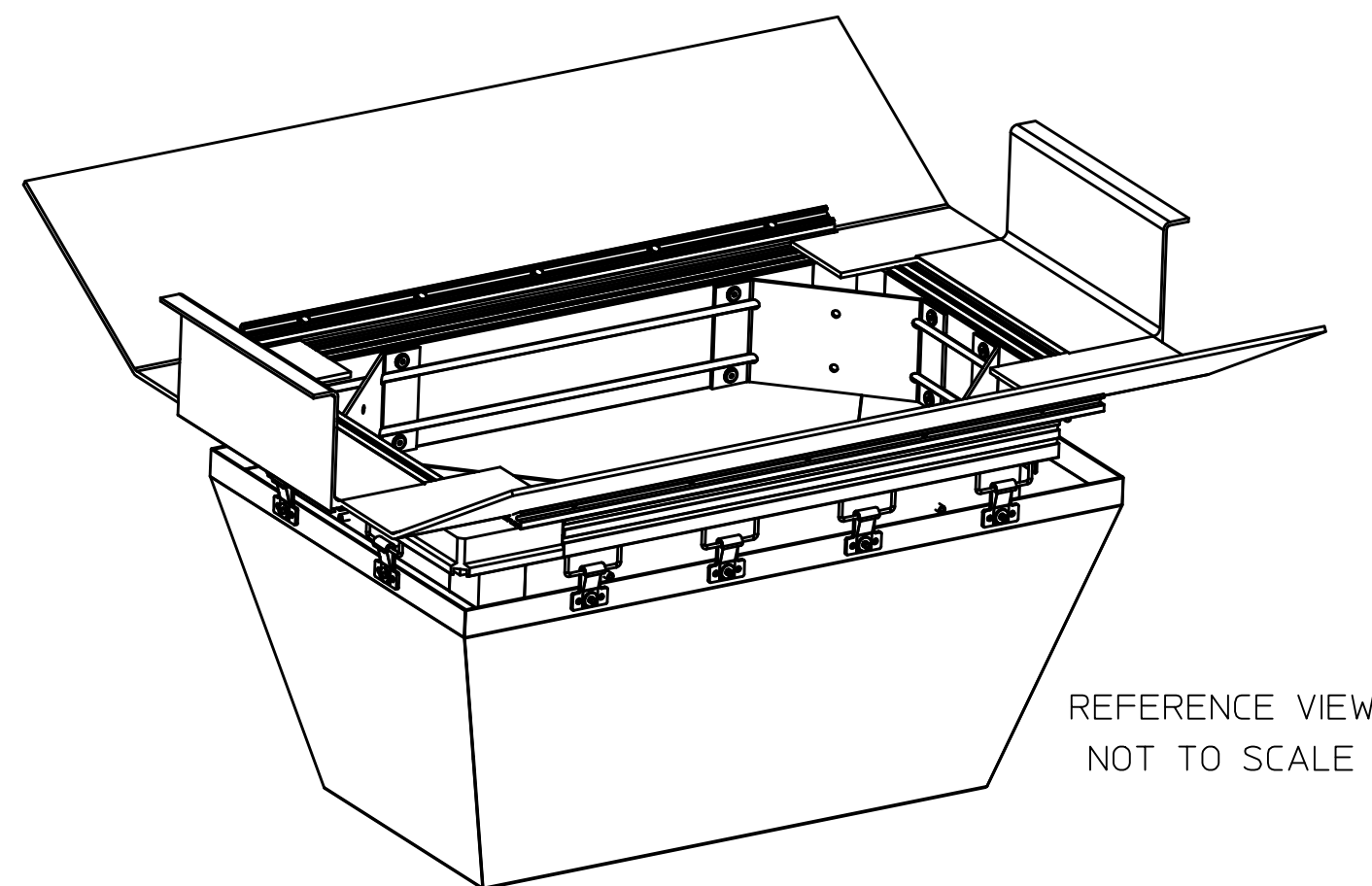
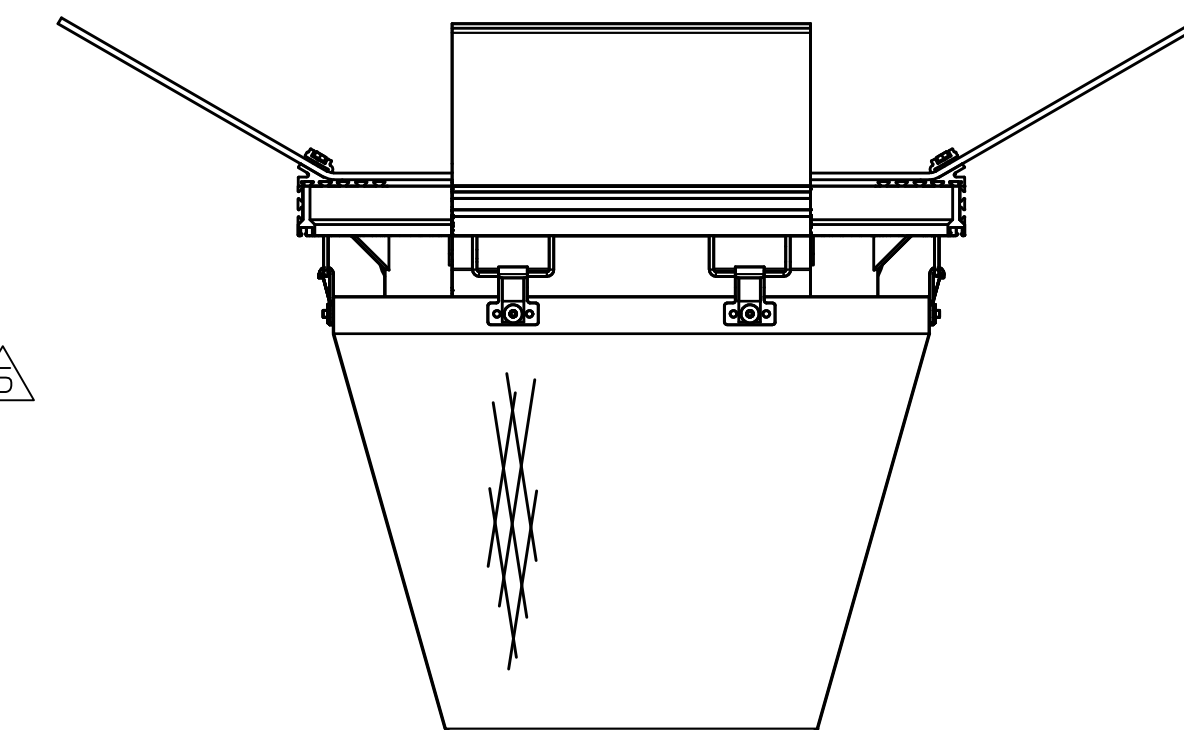
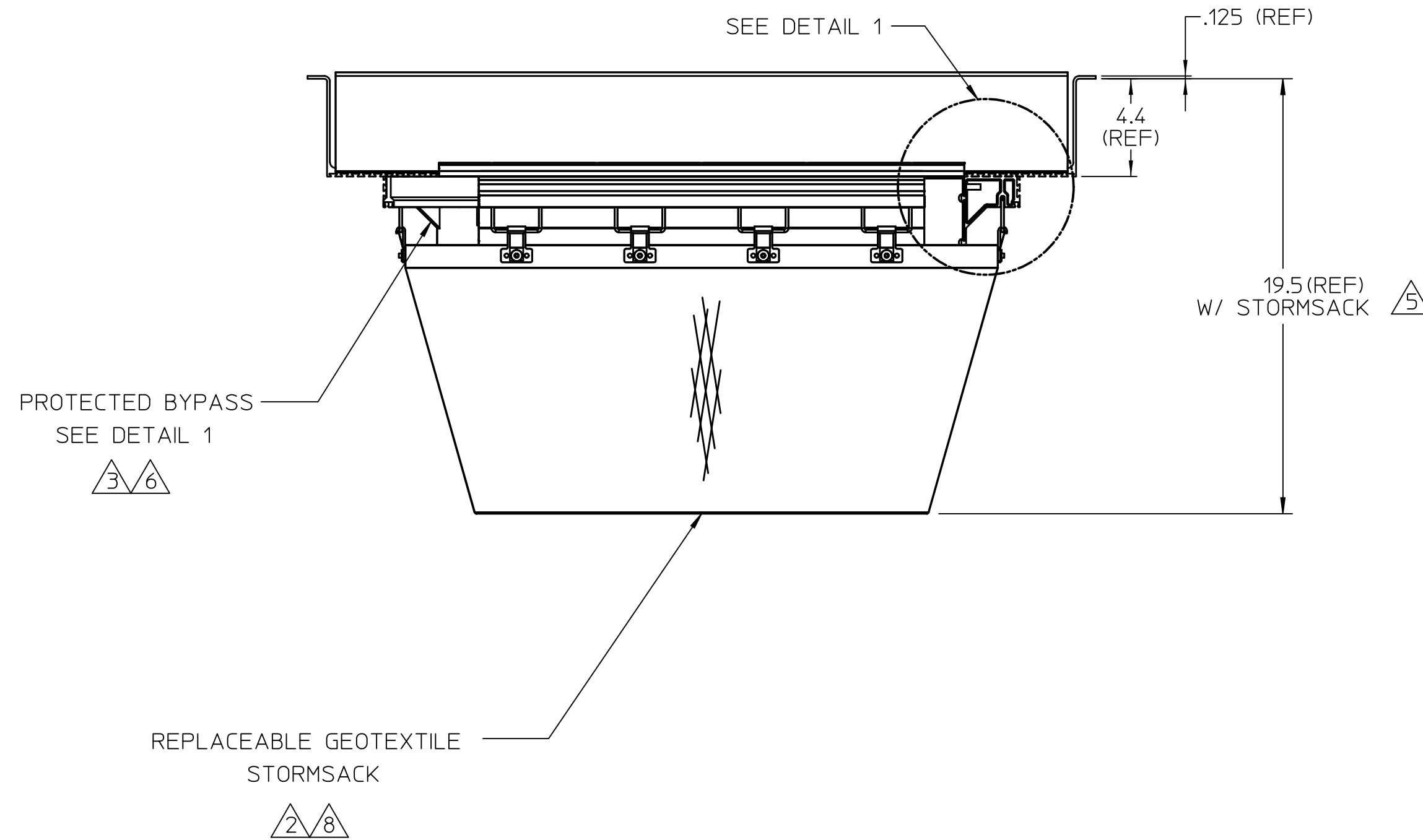
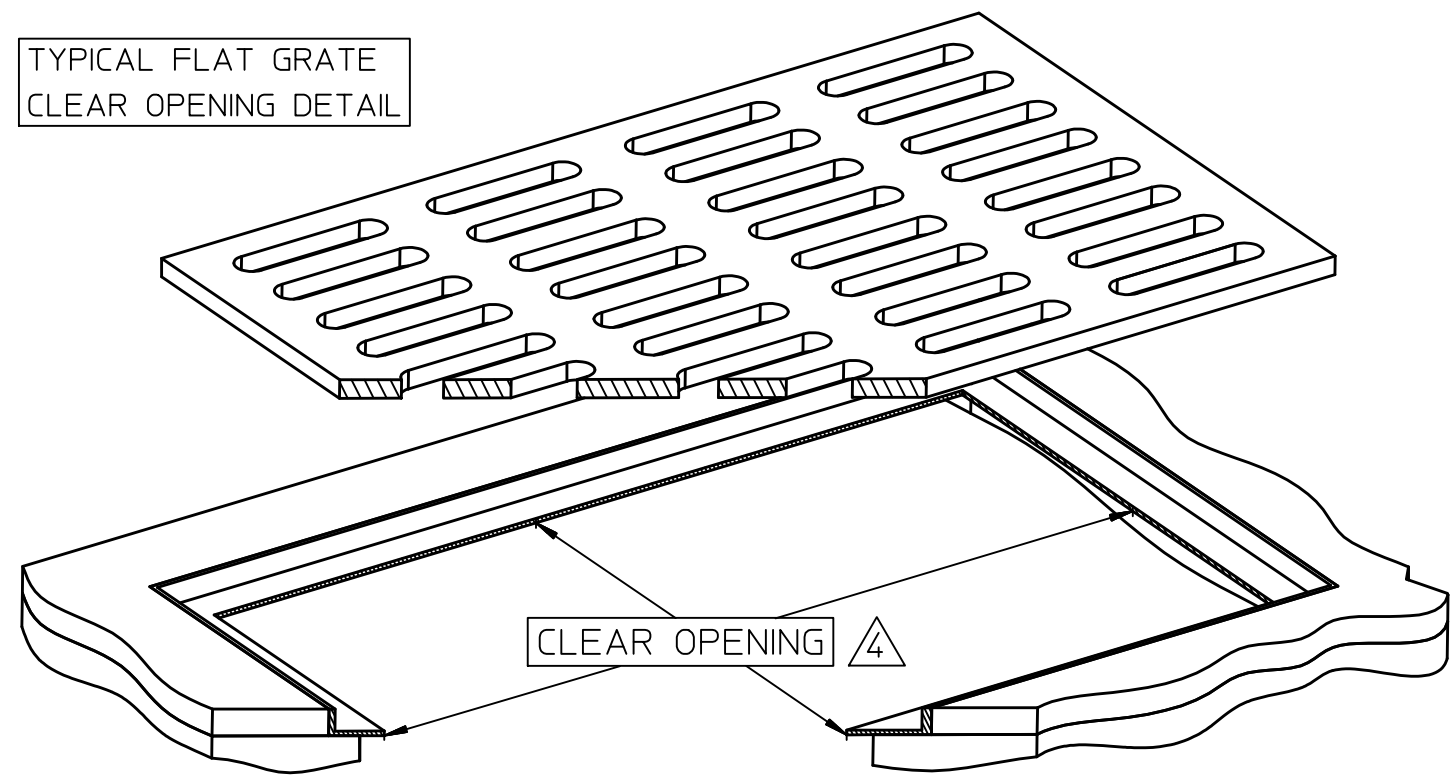
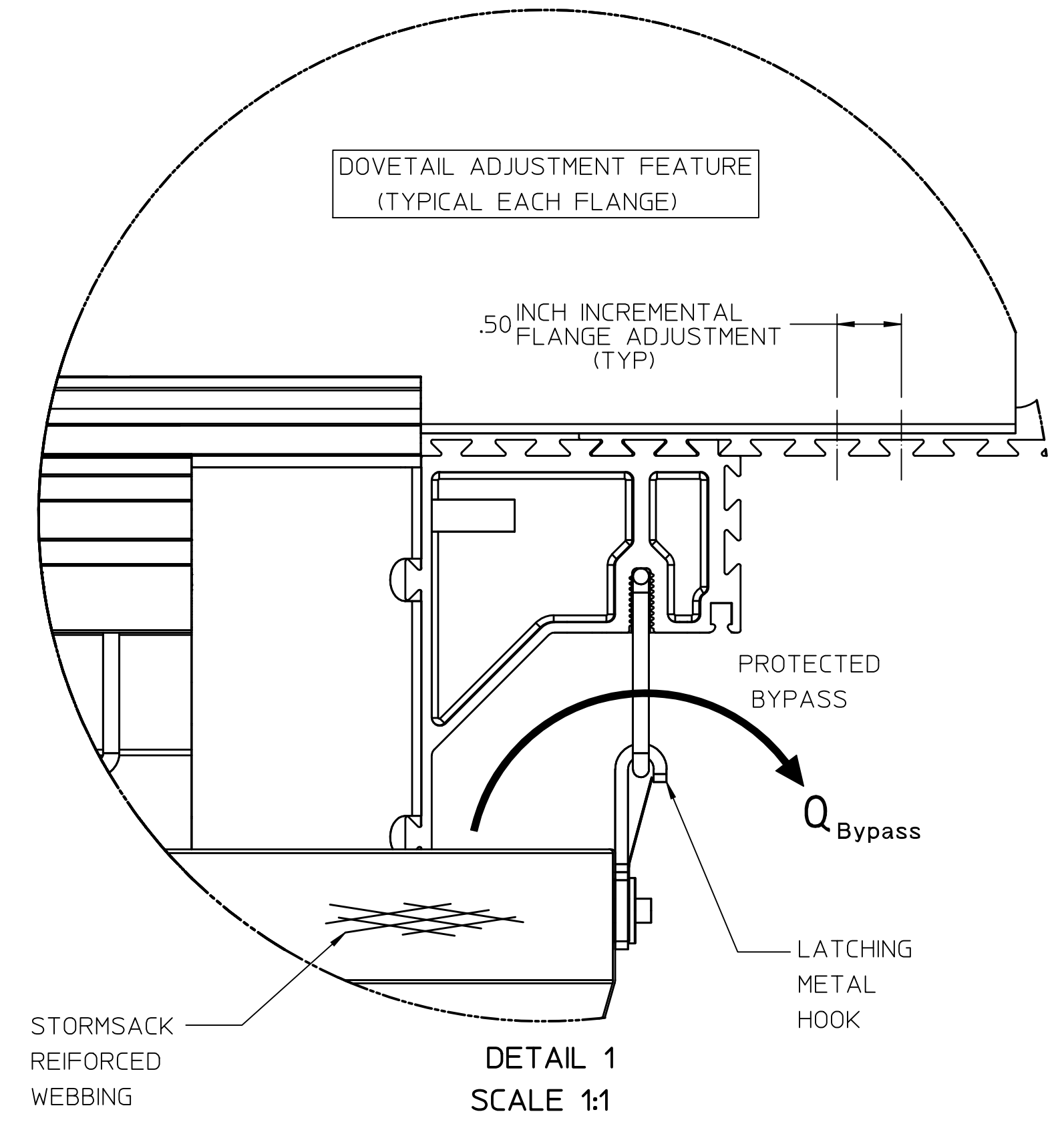
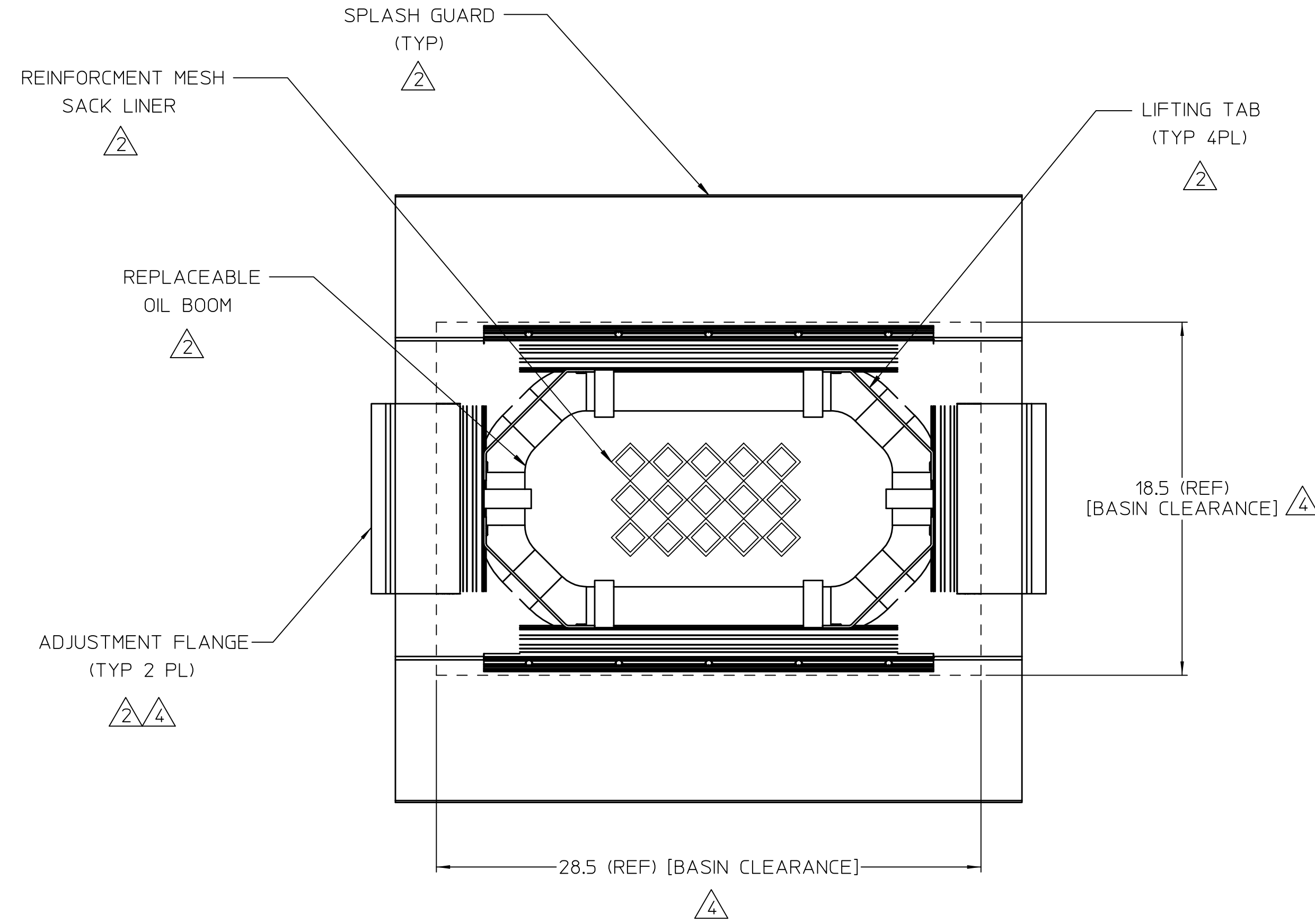


THIS DOCUMENT IS THE PROPERTY OF FABCO INDUSTRIES AND IS CONVEYED WITH THE EXPRESS CONDITION THAT IT AND THE INFORMATION CONTAINED IN IT ARE NOT TO BE USED, DISCLOSED, OR REPRODUCED IN WHOLE OR IN PART, FOR ANY PURPOSE WITHOUT THE EXPRESS WRITTEN CONSENT OF FABCO INDUSTRIES, AND THAT NO RIGHT IS GRANTED TO DISCLOSE OR SO USE ANY INFORMATION CONTAINED IN SAID DOCUMENT.

DWS NO. 9748-5H-000		SH 1	REV. C	1
REVISIONS				
REV	DESCRIPTION	DATE	APPROVED	
D	ECN9748-5H-000D	7/10/12		

NOTES:

1. WEIGHT (EMPTY): 40 LB MAX
2. MATERIAL:
  - A) ADJUSTABLE FLANGE AND DEFLECTOR: ALUMINUM ALLOY 6063-T6
  - B) STORMSACK: WOVEN POLYPROPYLENE GEOTEXTILE
  - C) SPLASH GUARD: NEOPRENE RUBBER (TRIM TO FIT)
  - D) LIFTING TABS: ALUMINUM ALLOY: 5052-H32
  - E) OIL BOOM: POLYPROPYLENE, 3" DIAMETER
  - F) MESH LINER: HDPE, DIAMOND CONFIGURATION
  - G) SUPPORT HARDWARE: CRES 300 SERIES
3. PERFORMANCE CHARACTERISTICS (TYP):
  - A) DEBRIS CAPACITY: 3.6 CU-FT
  - B) FILTERED CLEAN FLOW RATE: 1400 GPM (3.1 CFS)
  - C) BYPASS FLOW RATE: 1444 GPM (3.2 CFS)
  - D) OIL BOOM ABSORPTION CAPACITY: 316 OZ (2.47 GAL)
4. CLEAR OPENING RANGE (5 INCREMENTS):
  - A) MINIMUM SIZE: 19.0 X 29.0
  - B) MAXIMUM SIZE: 24.0 X 34.0
5. RECOMMENDED MINIMUM VAULT DEPTH: 4-IN BELOW STORMSACK
6. COVERED BYPASS PREVENTS RE-SESPENTION OF FLOATABLES
7. TYPICAL INSTALLATION: REMOVE STORM GRATE, MEASURE CATCH BASIN CLEAR OPENING AND ADJUST FLANGES TO REST ON GRATE SUPPORT LEDGE, TRIM SPLASH GUARD AS NEEDED, REINSTALL STORM GRATE DIRECTLY ON SUPPORT FLANGES.
8. USE ONLY WITH FABCO REPLACEABLE STORMSACK, P/N: 9748-5-200



NO	QTY	PART NUMBER	DESCRIPTION	REMARKS
UNLESS OTHERWISE SPECIFIED: REMOVE ALL BURRS; BREAK SHARP EDGES .002 - .020; FILLETS .020 MAX; DIMENSIONS ARE IN INCHES AND INCLUDE CHEMICALLY APPLIED OR PLATED FINISHES; DO NOT SCALE THIS DRAWING				
TOLERANCES:		DEC .00 + .01	APPROVALS	DATE
FRACT. ± .005		DEC .000 ± .005	DWN R.MARSTON	2/18/11
ANGLE ± 2°		Ra FINISH 125	CHKR	
			ENGR J. PETERS	2/18/11
MATERIAL		SEE NOTES	APVD	
MODEL LINK		9748-5H_ASSY4	FABCO INDUSTRIES, INC. 66 CENTRAL AVENUE FARMINGDALE, NY 11735 WWW.FABCO-INDUSTRIES.COM	
TITLE		STORMSACK, 24 X 34 C.S.		
SIZE	CAGE CODE	DWG NO	REV	
D	1P8A4	9748-5H-000	D	
SCALE 3/16		WT	SHEET 1 OF 1	