

THIS DOCUMENT IS THE PROPERTY OF FABCO INDUSTRIES AND IS CONVEYED WITH THE EXPRESS CONDITION THAT IT AND THE INFORMATION CONTAINED IN IT ARE NOT TO BE USED, DISCLOSED, OR REPRODUCED IN WHOLE OR IN PART, FOR ANY PURPOSE WITHOUT THE EXPRESS WRITTEN CONSENT OF FABCO INDUSTRIES, AND THAT NO RIGHT IS GRANTED TO DISCLOSE OR SO USE ANY INFORMATION CONTAINED IN SAID DOCUMENT.

9748-3C-000		SH 1	REV B	1
REVISIONS				
REV	DESCRIPTION	DATE	APPROVED	
B	ECN9748-3C-000_B	11/29/12		

- WEIGHT (EMPTY): 40 LB MAX
- MATERIAL:
 - ADJUSTABLE FLANGE AND DEFLECTOR: ALUMINUM ALLOY 6063-T6
 - STORMSACK: GEOTEXTILE 117F W/ REINFORCEMENT WEBBING
 - MESH LINER: HDPE, 1" DIAMOND CONFIGURATION
 - LIFTING TABS: ALUMINUM ALLOY 5052-H32
 - CORNER FILLER: ALUMINUM ALLOY 5052-H32
 - SUPPORT HARDWARE: ALUMINUM RIVETS
 - REPLACEABLE OIL BOOM: POLYPROPYLENE 3" DIA, PVC SUPPORT CLIPS

- PERFORMANCE CHARACTERISTICS (TYP):
 - DEBRIS CAPACITY: 4.8 CU-FT
 - FILTERED (CLEAN) FLOW RATE: 1809 GPM (4.0 CFS)
 - PRIMARY BYPASS FLOW RATE: 1615 GPM (3.6 CFS)
 - SECONDARY BYPASS FLOW RATE: 328 GPM (0.73 CFS)
 - TOTAL BYPASS FLOW RATE: 1944 GPM (4.3 CFS)
 - OIL BOOM ABSORPTION CAPACITY: 348 OZ (2.72 GAL)

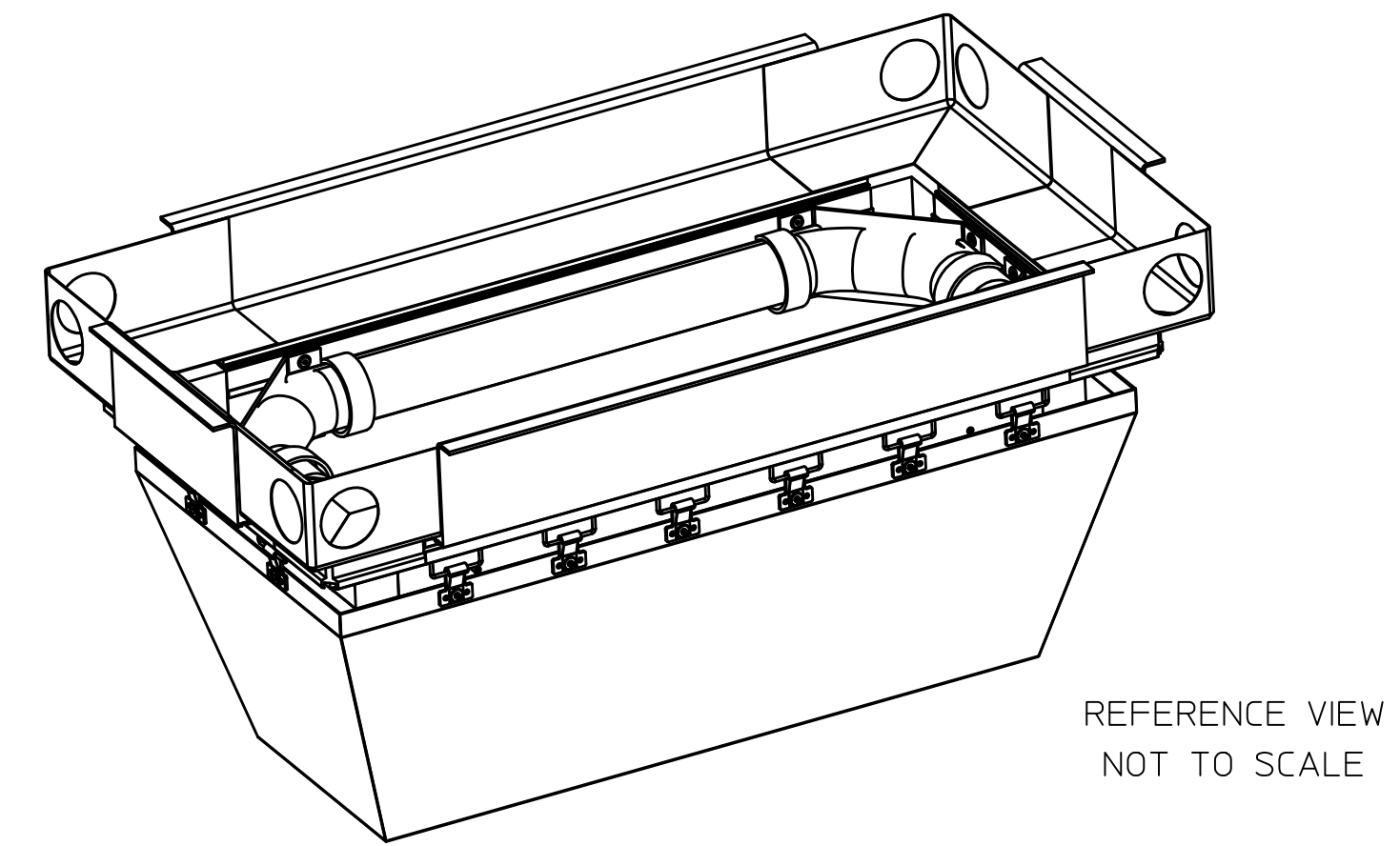
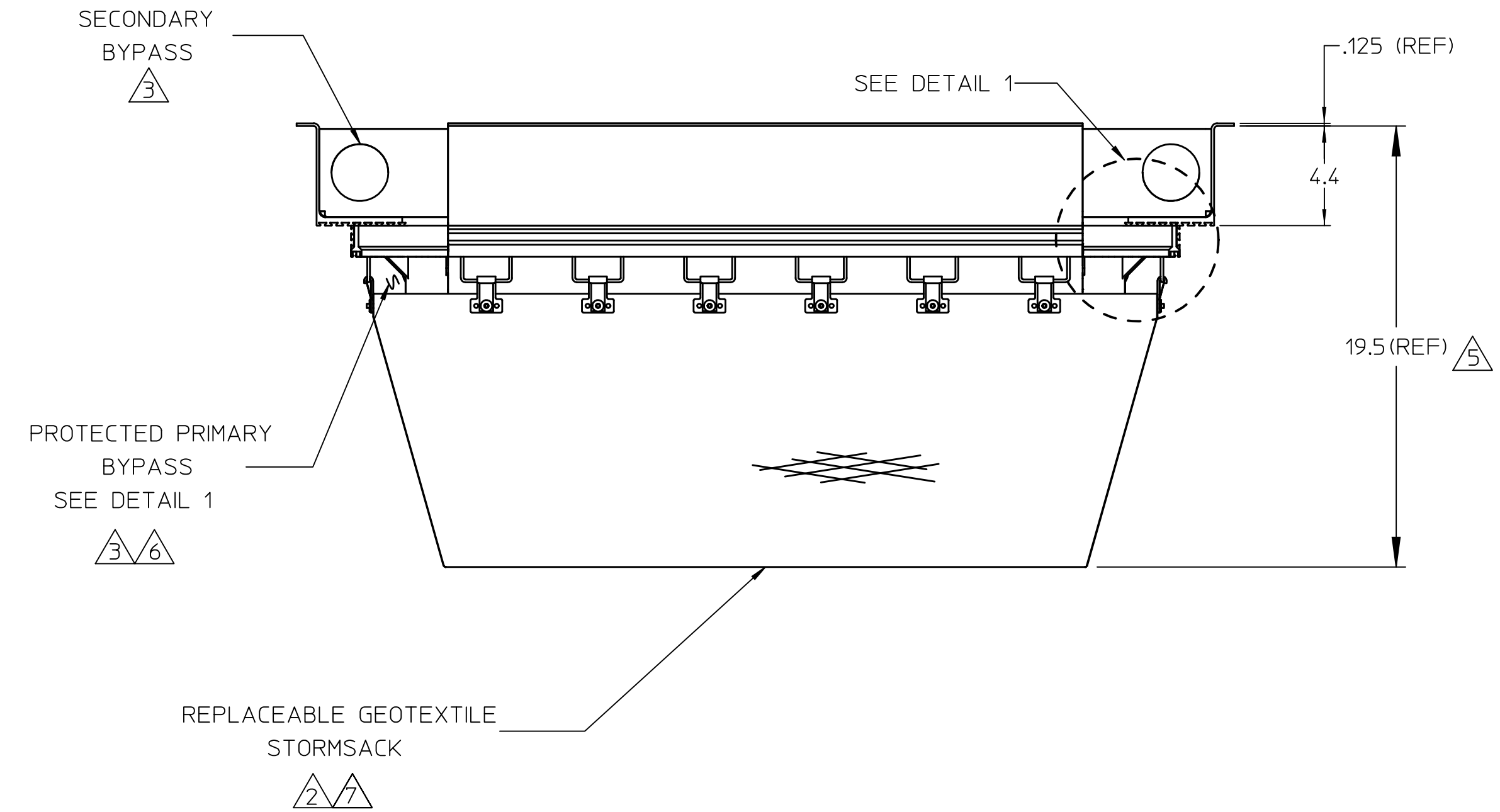
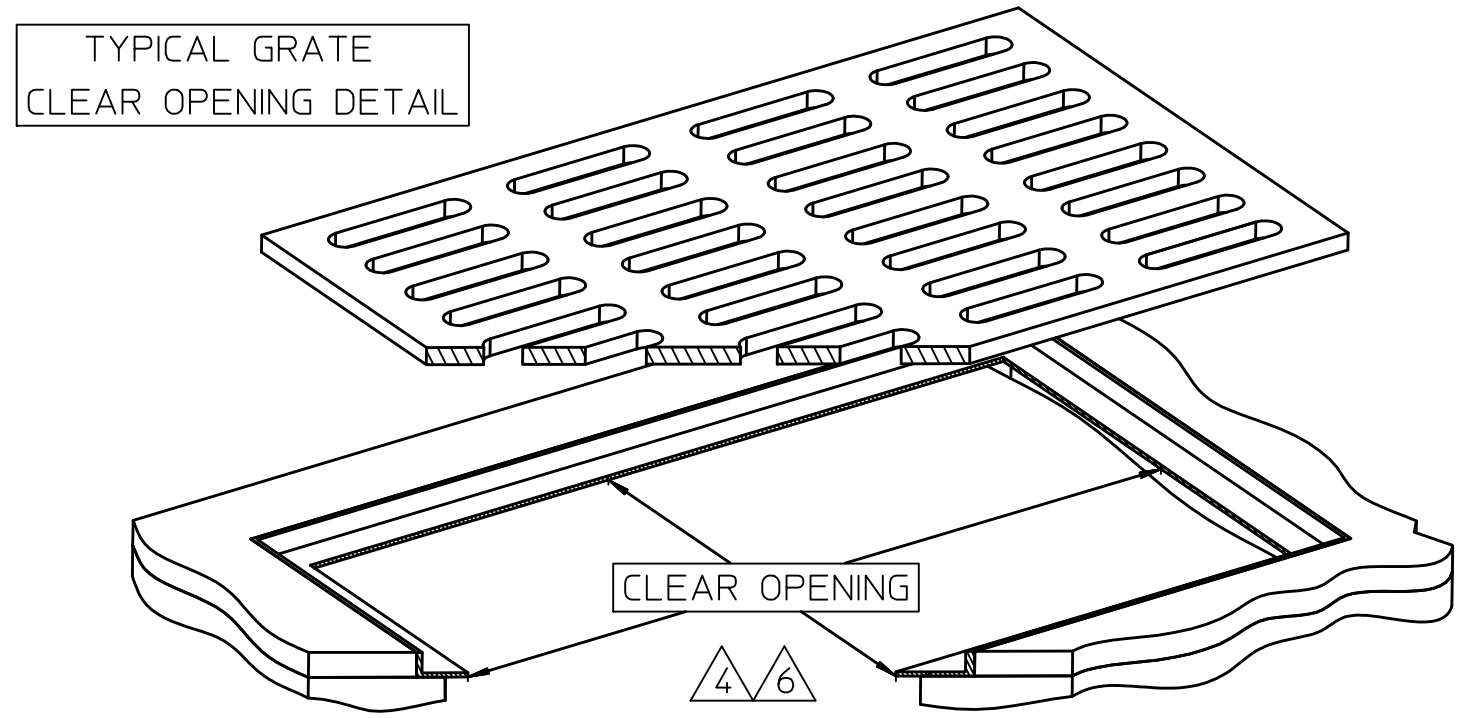
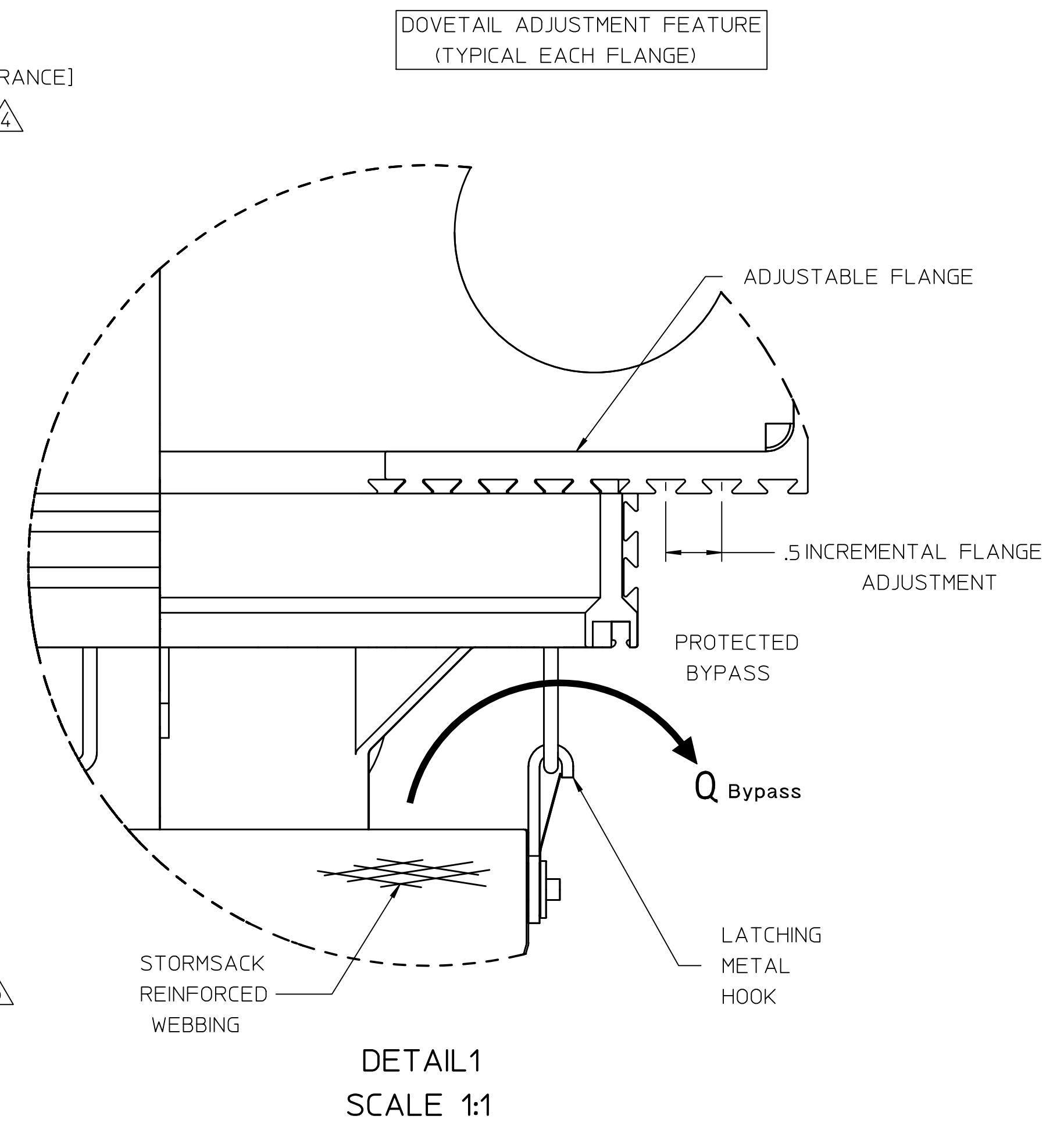
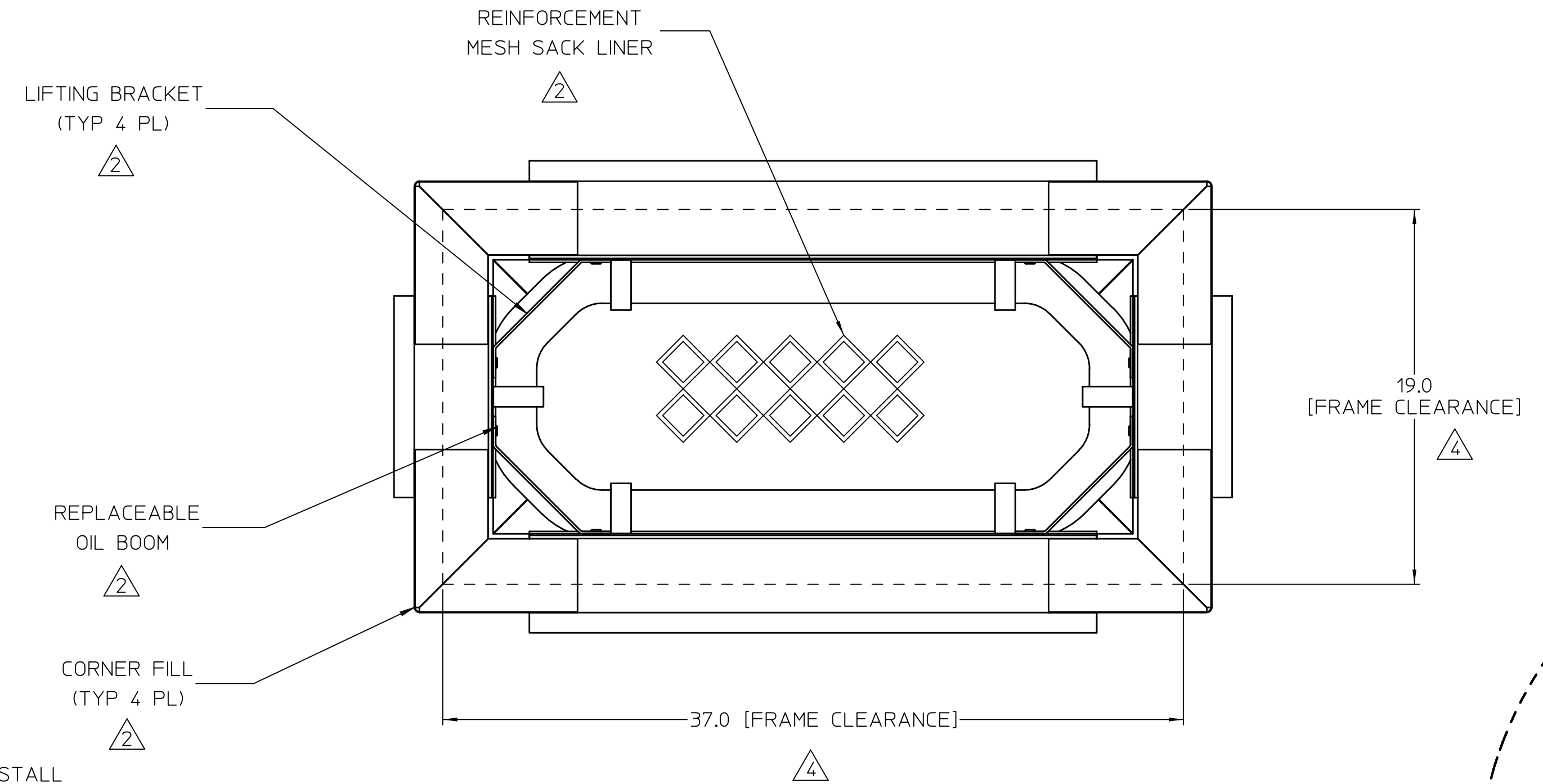
- CLEAR OPENING RANGE (0.5 INCH INCREMENTS):
 - MINIMUM SIZE: 19.0 X 37.0
 - MAXIMUM SIZE: 24.0 X 42.0

5. RECOMMENDED MINIMUM VAULT DEPTH 2-IN BELOW STORMSACK

6. TYPICAL INSTALLATION: REMOVE STORM GRATE, MEASURE CATCH BASIN FRAME CLEAR OPENING AND ADJUST FLANGES TO REST ON GRATE SUPPORT LEDGE. INSTALL STORMSACK INSERT AND VERIFY THE ADJUSTABLE FLANGES ARE SECURELY RESTING ON THE GRATE SUPPORT LEDGES. INSTALL CORNER FILLER PIECES. REINSTALL THE STORM GRATE DIRECTLY ON THE STORMSACK SUPPORT FLANGES.

7. USE ONLY WITH FABCO REPLACEABLE STORMSACKS, P/N: 9748-3-200

8. FOR EXTRA HEAVY DUTY SACK INCLUDE PART NUMBER EXTENSION HDS (E.G., 9748-3C-000-HDS)



NO	QTY	PART NUMBER	DESCRIPTION	REMARKS
UNLESS OTHERWISE SPECIFIED: TOLERANCES: DEC .00 ± .01, DEC .000 ± .005, DEC .002 - .020, DEC .000 ± .005, FRACT. ± 1/16, ANGLE ± 2°, Rg FINISH 125/				
REMOVE ALL BURRS				
BREAK SHARP EDGES .002 - .020				
FILLETS .020 MAX				
DIMENSIONS ARE IN INCHES AND INCLUDE CHEMICALLY APPLIED OR PLATED FINISHES				
DO NOT SCALE THIS DRAWING				
MATERIAL			APVD	TITLE
SEE NOTES			FABCO INDUSTRIES, INC 66 CENTRAL AVENUE FARMINGDALE, NY 11735	STORMSACK, 19x37 CS
MODEL LINK			WWW.FABCO-INDUSTRIES.COM	SIZE CAGE CODE DWG NO REV D 1P8A4 9748-3C-000 B
9748-3C_ASSY			SCALE 1/4 WT	SHEET 1 OF 1

