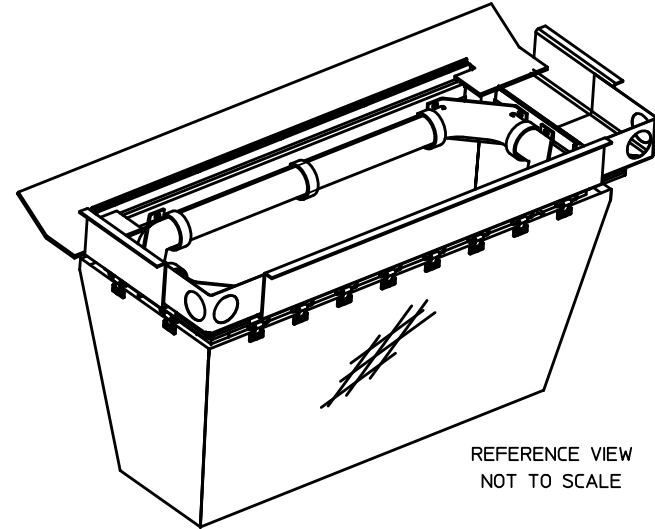
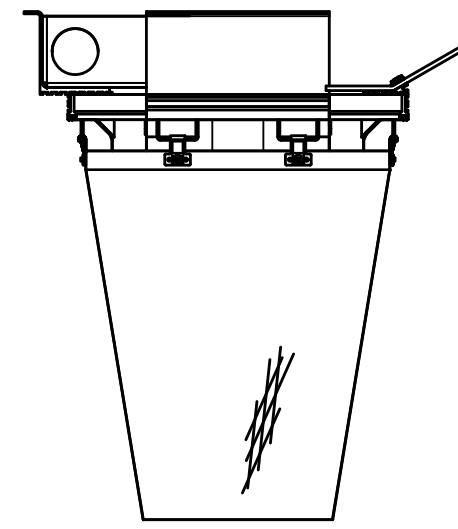
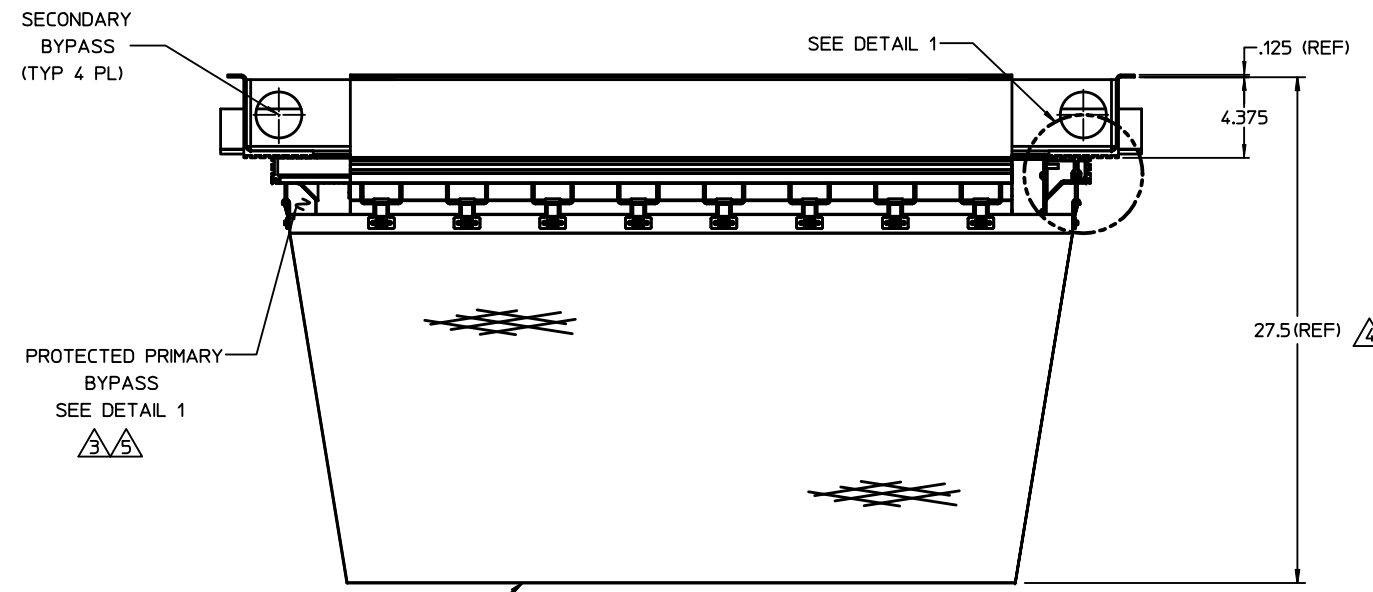
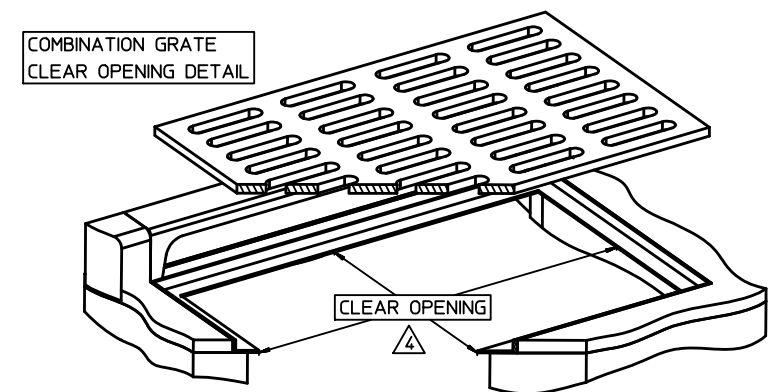
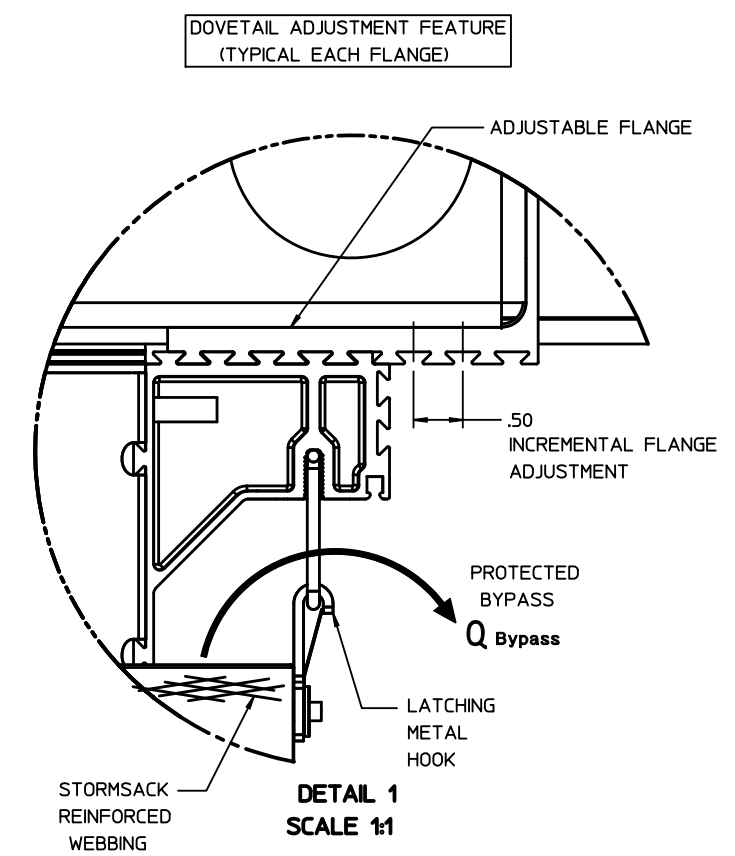
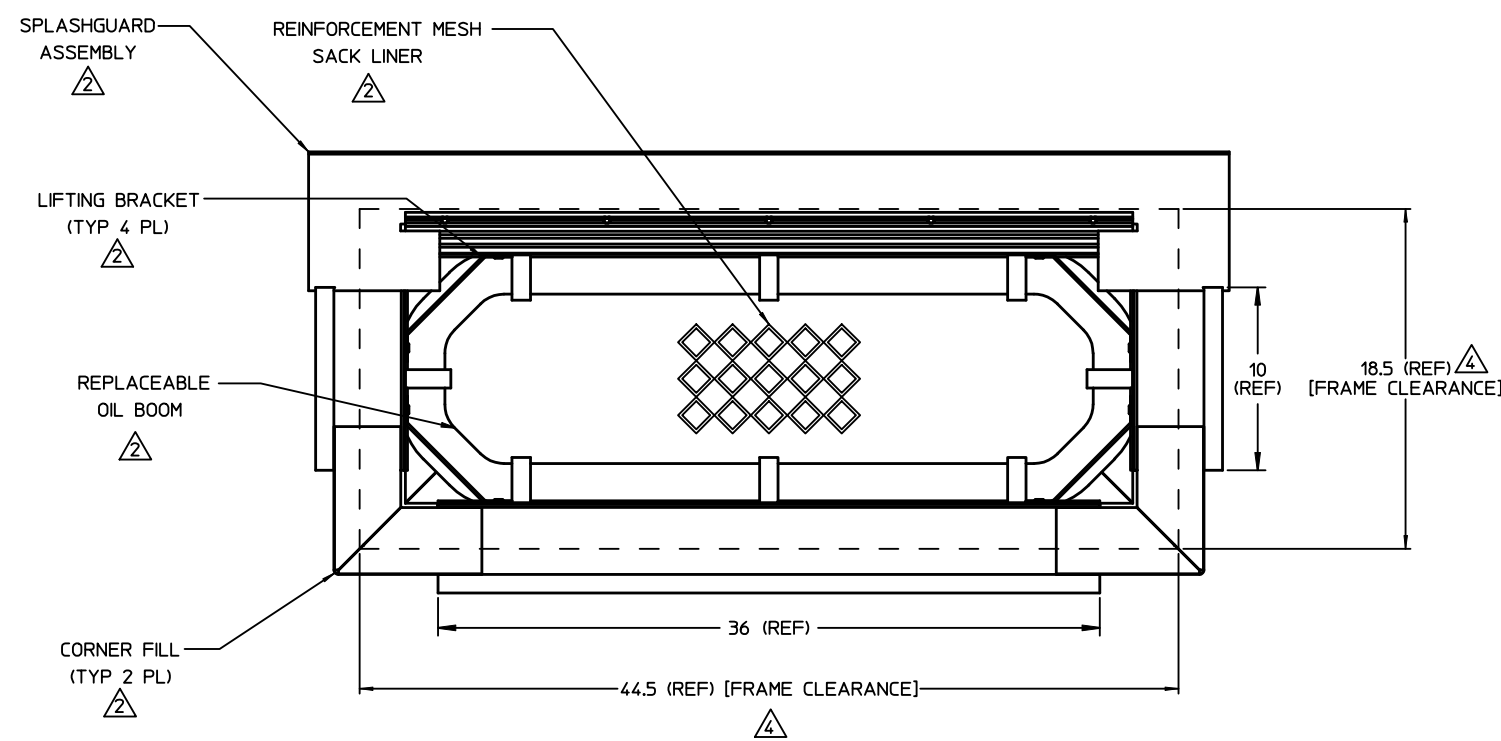



THIS DOCUMENT IS THE PROPERTY OF FABCO INDUSTRIES AND IS CONVEYED WITH THE EXPRESS CONDITION THAT IT AND THE INFORMATION CONTAINED IN IT ARE NOT TO BE USED, DISCLOSED, OR REPRODUCED IN WHOLE OR IN PART, FOR ANY PURPOSE WITHOUT THE EXPRESS WRITTEN CONSENT OF FABCO INDUSTRIES, AND THAT NO RIGHT IS GRANTED TO DISCLOSE OR SO USE ANY INFORMATION CONTAINED IN SAID DOCUMENT.

NOTES:

- WEIGHT (EMPTY): 40 LB MAX
- MATERIAL:
  - ADJUSTABLE FLANGE AND DEFLECTOR: ALUMINUM ALLOY 6063-T6
  - SPLASH GUARD: NEOPRENE RUBBER (TRIM TO FIT)
  - STORMSACK: GEOTEX 117F, REINFORCEMENT RIBBON
  - MESH LINER: HDPE, DIAMOND PATTERN
  - LIFTING TABS: ALUMINUM ALLOY: 5052-H32
  - CORNER FILLER: ALUMINUM ALLOY: 5052-H32
  - SUPPORT HARDWARE: CRES 300 SERIES
  - OIL BOOM: POLYPROPYLENE, 3" DIAMETER
- PERFORMANCE CHARACTERISTICS (TYP):
  - DEBRIS CAPACITY: 8.5 CU-FT
  - FILTERED FLOW RATE (INITIAL): 3504 GPM (7.8 CFS)
  - PROTECTED PRIMARY BYPASS FLOW RATE: 1884 GPM (4.2 CFS)
  - SECONDARY BYPASS FLOW RATE: 164 GPM (0.37 CFS)
  - TOTAL BYPASS FLOW RATE: 2048 GPM (4.6 CFS)
  - OIL BOOM ABSORPTION CAPACITY: 376 OZ (3 GAL)
- CLEAR OPENING RANGE (0.5 INCH INCREMENTS):
  - MINIMUM SIZE: 19 X 45
  - MAXIMUM SIZE: 24 X 50
  - MINIMUM RECOMMENDED VAULT DEPTH: 2-IN BELOW STORMSACK
- COVERED BYPASS PREVENT RE-SUSPENSION OF FLOATABLES
- TYPICAL INSTALLATION: REMOVE STORM GRATE, MEASURE CATCH BASIN CLEAR OPENING AND ADJUST FLANGES TO REST ON GRATE SUPPORT LEDGE, TRIM SPLASH GUARD AS NEEDED, INSTALL CORNER FILL PIECES, REINSTALL STORM GRATE DIRECTLY ON STORMSACK SUPPORT FLANGES.
- USE ONLY FABCO REPLACEABLE STORMSACKS, FABCO PART NO.: 9748-1-200

REVISIONS			
REV	DESCRIPTION	DATE	APPROVED
J	ECN9748-1E-000J	7/11/2013	



NO	QTY	PART NUMBER	DESCRIPTION	REMARKS
<b>BILL OF MATERIALS</b>				
UNLESS OTHERWISE SPECIFIED: REMOVE ALL BURRS BREAK SHARP EDGES .002 - .020 PILLETS .020 MAX DIMENSIONS ARE IN INCHES AND INCLUDE CHEMICALLY APPLIED OR PLATED FINISHES DO NOT SCALE THIS DRAWING		TOLERANCES: DEC .00 + .01 DEC .000 + .005 FRACT ± 1/16 ANGLE ± 2° Rd FINISH ✓		APPROVALS DATE DWN R.MARSTON 6/28/10 CHKR ENGR J. PETERS 6/28/10 APVD
MATERIAL SEE NOTES		FABCO INDUSTRIES, INC. 66 CENTRAL AVE. FARMINGDALE, NY 11735 WWW.FABCO-INDUSTRIES.COM		 <b>TITLE</b> STORMSACK, TYPE E FLANGE 19" x 45" CS <b>SCALE</b> 1/4" WT <b>SHEET</b> 1 OF 1
MODEL LINK 9748-1E_ASSY4		<b>SIZE</b> D <b>CAGE CODE</b> 1P8A4 <b>DWG NO</b> 9748-1E-000 <b>REV</b> J		