

FOCALPOINT HP PERFORMANCE SPECIFICATION:

HIGH PERFORMANCE MEDIA

HIGH PERFORMANCE MEDIA MUST MEET A MINIMUM OF 100" PER HOUR INFILTRATION RATE. FIELD HYDRAULIC CONDUCTIVITY TESTING MUST BE CONDUCTED WITHIN 30 DAYS OF INSTALLATION. FIELD TEST MUST BE CONDUCTED WITH PROSCRIBED INFILTROMETER AND SOP (SEE SPECIFICATION). FAILURE TO MEET FIELD TESTING WILL RESULT IN THE REMOVAL OF MEDIA AND REPLACEMENT FROM ALTERNATE BATCH.

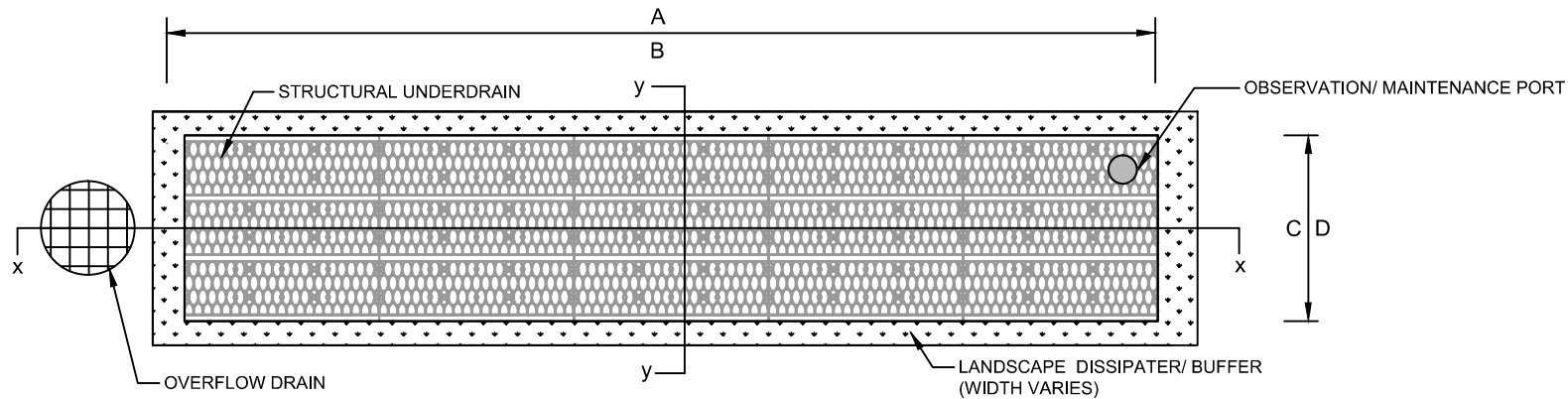
HIGH PERFORMANCE STRUCTURAL UNDERDRAIN

MUST HAVE A MINIMUM OF 19 SQUARE INCHES OF ORIFICE OPENING PER SQUARE FOOT. MUST MEET H2O LOADING REQUIREMENTS. MUST BE MODULAR IN NATURE AND ASSEMBLED ON SITE. MUST HAVE MINIMUM 90% INTERIOR VOID SPACE.

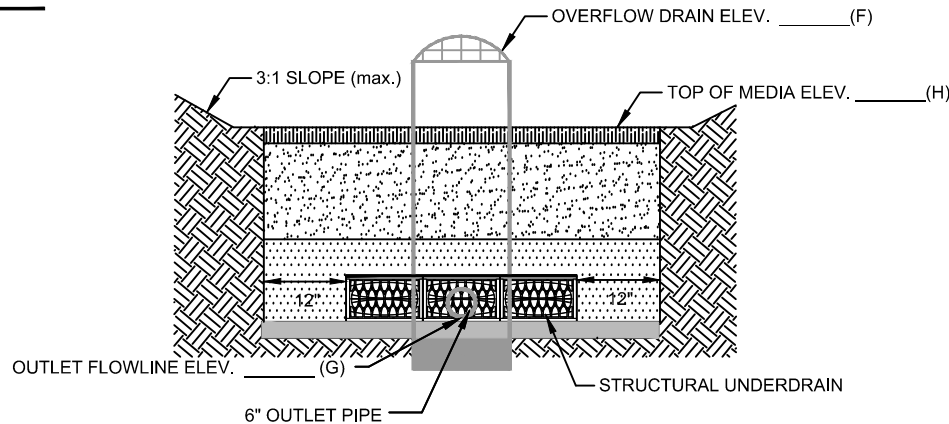
FOCALPOINT HP CONSTRUCTION GUIDE

A	FOCALPOINT LENGTH	
B	# UNDERDRAIN LONG	
C	FOCALPOINT WIDTH	
D	# UNDERDRAIN WIDE	
E	WATER QUALITY VOLUME	
F	OVERFLOW ELEVATION	
G	OUTLET FLOWLINE	
H	TOP OF MEDIA	
I	TOP OF GABION (OPTIONAL)	

PLAN VIEW



SECTION Y-Y

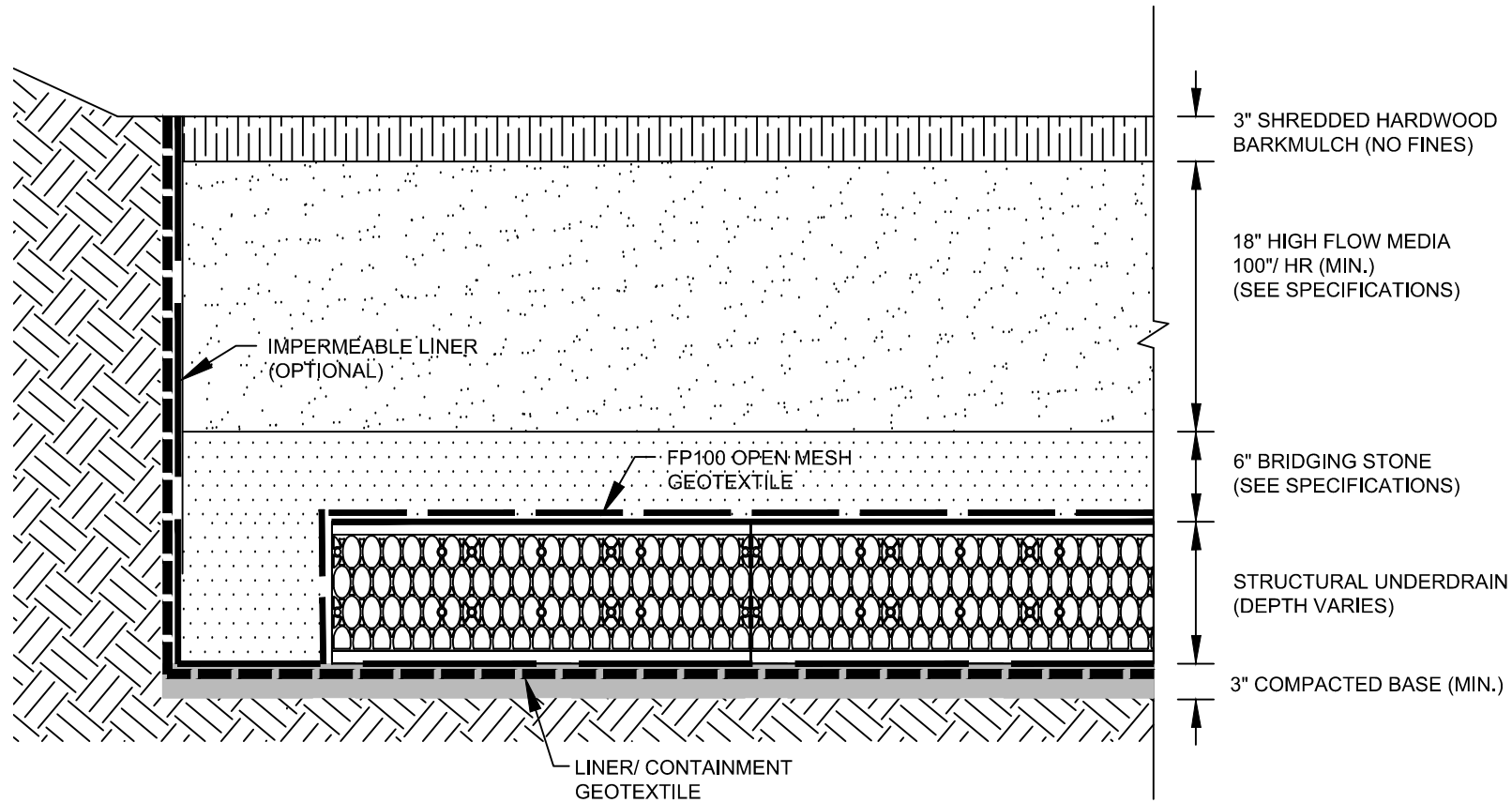


FOCALPOINT HP CONSTRUCTION GUIDE



TO FIND A VALUE ADDED RESELLER IN YOUR AREA VISIT
WWW.CONVERGENTWATER.COM/STORMWATER-PRODUCTS OR CONTACT
 CONVERGENT WATER TECHNOLOGIES AT 800.771.5428



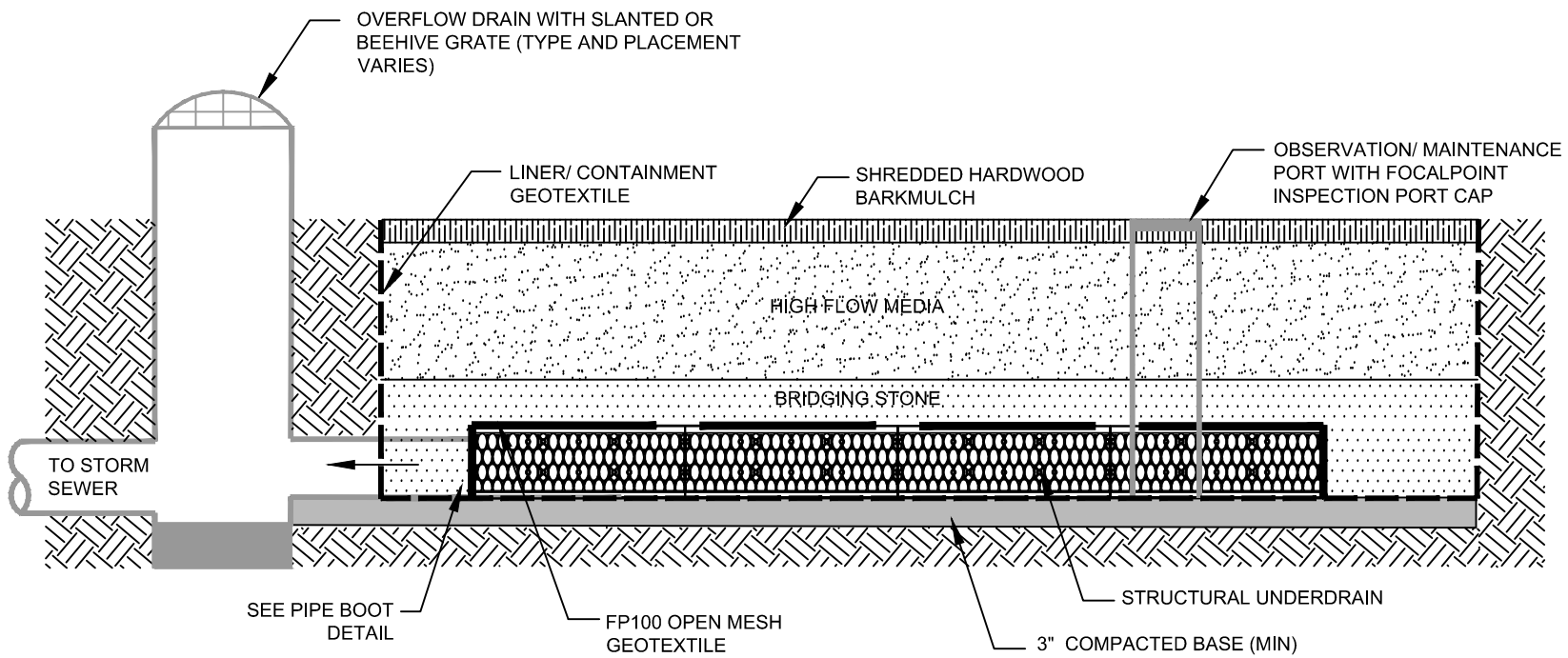


FOCALPOINT HP DETAILED CROSS SECTION



TO FIND A VALUE ADDED RESELLER IN YOUR AREA VISIT
WWW.CONVERGENTWATER.COM/STORMWATER-PRODUCTS OR CONTACT
 CONVERGENT WATER TECHNOLOGIES AT 800.771.5428





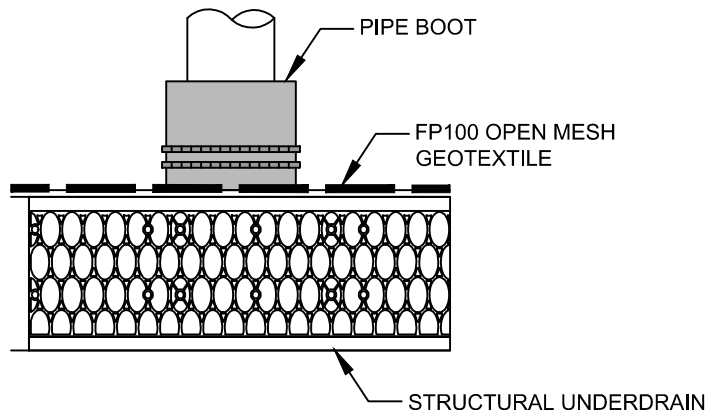
FOCALPOINT HP SECTION X-X



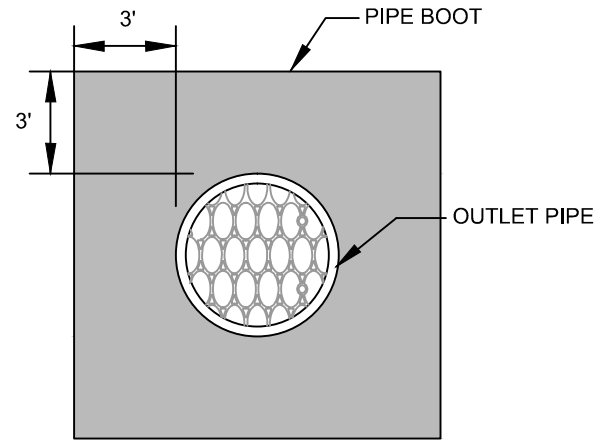
TO FIND A VALUE ADDED RESELLER IN YOUR AREA VISIT
WWW.CONVERGENTWATER.COM/STORMWATER-PRODUCTS OR CONTACT
 CONVERGENT WATER TECHNOLOGIES AT 800.771.5428



OBSERVATION/ MAINTENANCE PORT CONNECTION

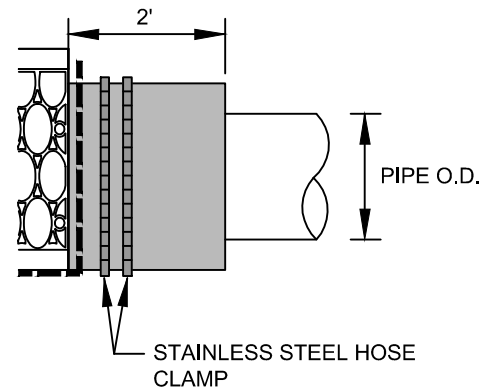
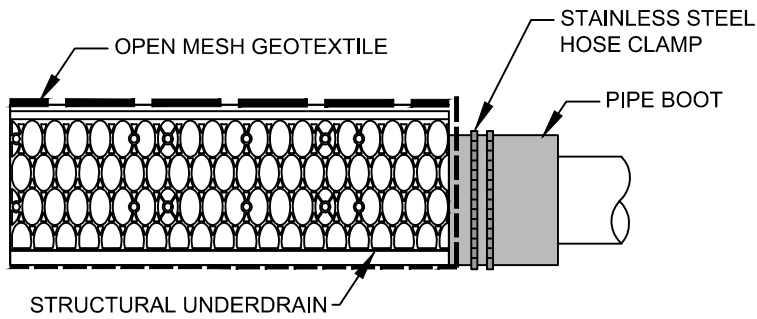


PIPE BOOT DETAIL



FRONT VIEW

OUTLET/ INLET PIPE CONNECTION

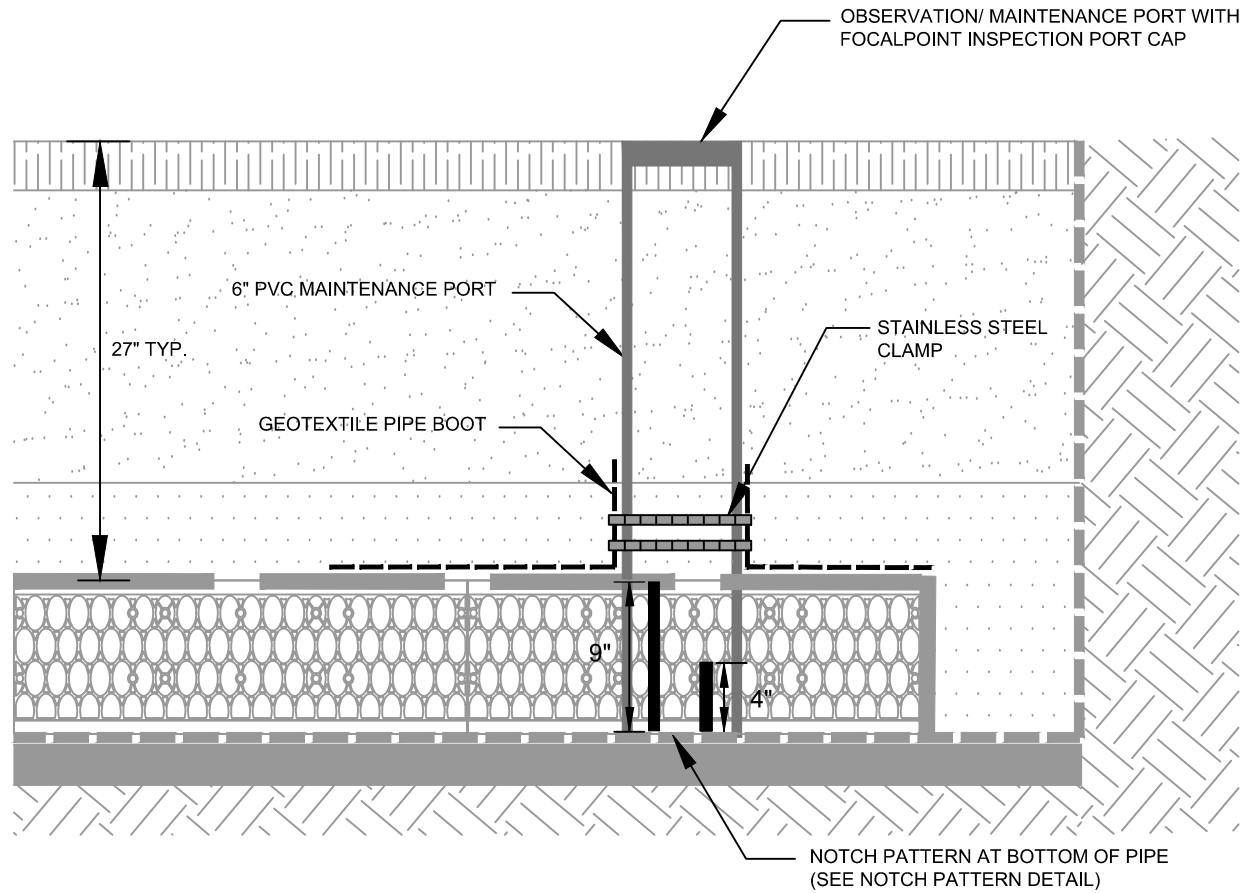


SIDE VIEW

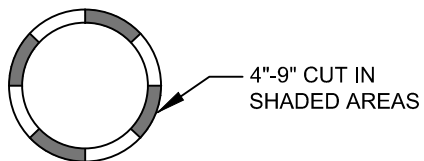
FOCALPOINT PIPE CONNECTION

OBSERVATION/ MAINTENANCE PORT

PORT USED FOR INSPECTION PURPOSES AND FOR SYSTEM MAINTENANCE AS REQUIRED. WATER SHALL BE PUMPED INTO THE SYSTEM AND RESUSPEND ACCUMULATED SEDIMENT. MINIMUM REQUIRED MAINTENANCE INCLUDES A QUARTERLY INSPECTION FOR THE FIRST YEAR OF OPERATION AND A YEARLY INSPECTION THEREAFTER FLUSH AS NEEDED.



PIPE NOTCH PATTERN DETAIL



FOCALPOINT OBSERVATION/ MAINTENANCE PORT



TO FIND A VALUE ADDED RESELLER IN YOUR AREA VISIT
WWW.CONVERGENTWATER.COM/STORMWATER-PRODUCTS OR CONTACT
CONVERGENT WATER TECHNOLOGIES AT 800.771.5428

