

THIS DOCUMENT IS THE PROPERTY OF FABCO INDUSTRIES AND IS CONVEYED WITH THE EXPRESS CONDITION THAT IT AND THE INFORMATION CONTAINED IN IT ARE NOT TO BE USED, DISCLOSED, OR REPRODUCED IN WHOLE OR IN PART, FOR ANY PURPOSE WITHOUT THE EXPRESS WRITTEN CONSENT OF FABCO INDUSTRIES, AND THAT NO RIGHT IS GRANTED TO DISCLOSE OR SO USE ANY INFORMATION CONTAINED IN SAID DOCUMENT.

REVISIONS			
REV	DESCRIPTION	DATE	APPROVED
B	ECN9816-3-000B	9/22/2010	

NOTES:

- 1.0 MATERIALS:
- 1.1 VAULT:
 - 1.1.1 REINFORCEMENT STEEL: NYS DOT 709.04 GRADE 60, ASTM A-615 OR EQUIVALENT.
 - 1.1.2 CONCRETE MATERIALS: NYS DOT STANDARD SPECIFICATION SECTION 704-03 PRECAST CONCRETE GENERAL, EXCEPT THE CONCRETE SHALL HAVE A MINIMUM COMPRESSIVE STRENGTH OF 28 MPa AT THE END OF 28 DAYS.
- 1.2 ACCESS MANHOLES: ASTM-A-48, CLASS 35B GRAY IRON OR ASTM A536, GRADE 80-55-06 DUCTILE IRON.
- 1.3 FILTER HOUSING: SDR-35 (PVC) PIPE
- 1.4 HELICAL FILTER ELEMENTS: CRS WIRE FRAME W/TREATED T20 FOAM COVER.
- 2.0 CONCRETE STRUCTURE DESIGNED TO MEET OR EXCEED H-20 LOAD RATING.
- 3.0 PERFORMANCE CHARACTERISTICS (REF):
 - 3.1 FILTERED FLOW RATE: 6 CFS (2700 GPM)
 - 3.2 BYPASS FLOW RATE: 92.6 CFS (41,500 GPM)
- 4.0 ACCESS MANHOLES ARE SUPPLIED SEPARATELY WITH THE STORMSAFE. ALTERNATE (LARGER) ACCESS HATCHES ARE AVAILABLE IF LIGHT DUTY OR PEDESTRIAN LOAD RATINGS ARE ACCEPTABLE BY THE PROJECT ENGINEER. EJIW #1581 & EJIW #1480 CASTINGS ARE RECOMMENDED FOR REPEATED VEHICULAR TRAFFIC AND CONFORM TO AASHTO M306 STANDARDS. FINAL MANHOLE OR ACCESS HATCH INSTALLATION, AND ADJUSTMENT TO GRADE, SHALL BE PERFORMED BY QUALIFIED PERSONNEL.
- 5.0 EXCAVATION, DEWATERING, DRAINAGE FILL, AND BACK FILL OPERATIONS SHALL BE PERFORMED IN ACCORDANCE WITH OSHA AND LOCAL REGULATIONS.
- 6.0 THE CONTRACTOR SHALL VERIFY THAT THE UNIT IS VERTICALLY AND HORIZONTALLY PLUMB AND STABLE, WITH MINIMUM VOIDS AND MINIMUM UN-COMPACTED SOIL AFTER BACK FILL OPERATION.
- 7.0 AFTER REMOVING SKIN-KNOCKOUT FROM VAULT, CONNECT EXISTING RCP TO STORMSAFE INLET AND OUTLET PORTS WITH APPROVED NON-SHRINKING GROUT-FILL IN ACCORDANCE WITH MANUFACTURERS INSTRUCTIONS. STORMSAFE 'INLET' AND 'OUTLET' PORTS ARE CLEARLY LABELED WITH BLACK PAINT. EXISTING INLET/OUTLET RCP TO BE ALIGNED FLUSH WITH RESPECTIVE INTERIOR VAULT WALLS.
- 8.0 MAINTENANCE AND HELICAL FILTER REPLACEMENT INSTRUCTIONS ARE PROVIDED SEPARATELY AND ARE SITE SPECIFIC.
- 9.0 HELICAL FILTER REPLACEMENT (IN GENERAL): FOR BEST PERFORMANCE REPLACE HELICAL FILTERS IAW FABCO RECOMMENDATIONS. HIGH CONTAMINANT LOCATIONS MAY REQUIRE MORE FREQUENT FILTER REPLACEMENT. REMOVE ANY DEBRIS OR HEAVY SEDIMENT FROM THE INFLUENT CHAMBER. REMOVE THE INLET DIFFUSER AND SLIDE EACH HELICAL FILTER SEGMENT OUT OF THE FILTER HOUSINGS. INSERT THE REPLACEMENT HELICAL FILTERS. EACH HOUSING REQUIRES FIVE (5) HELICAL FILTER SEGMENTS, TEN (10) SEGMENTS TOTAL. DISPOSE OF USED FILTER MEDIA IN ACCORDANCE WITH LOCAL REGULATION.

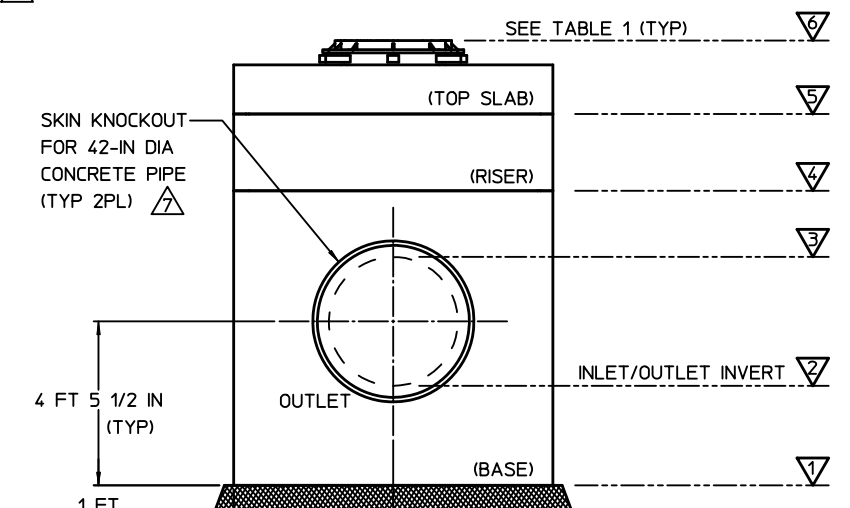
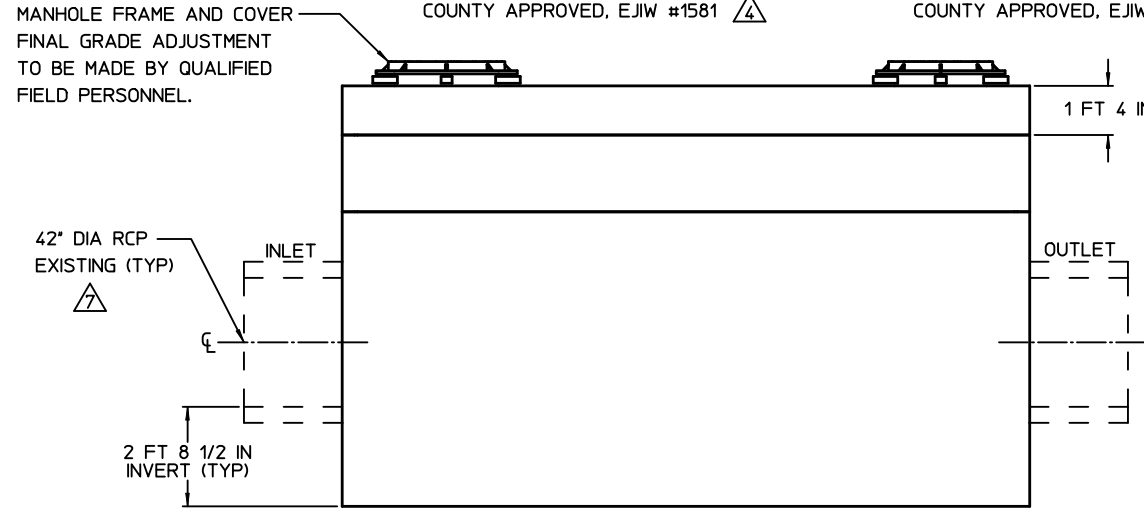
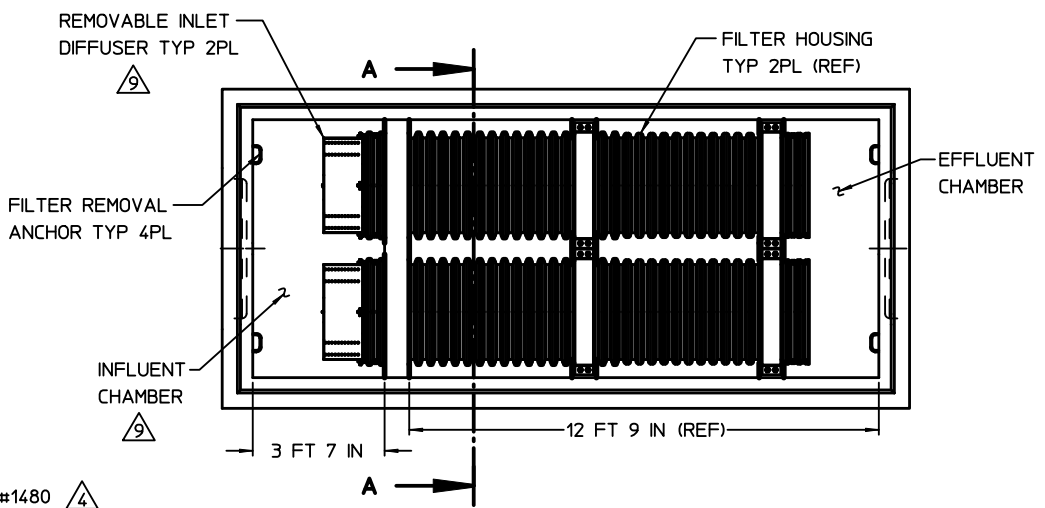
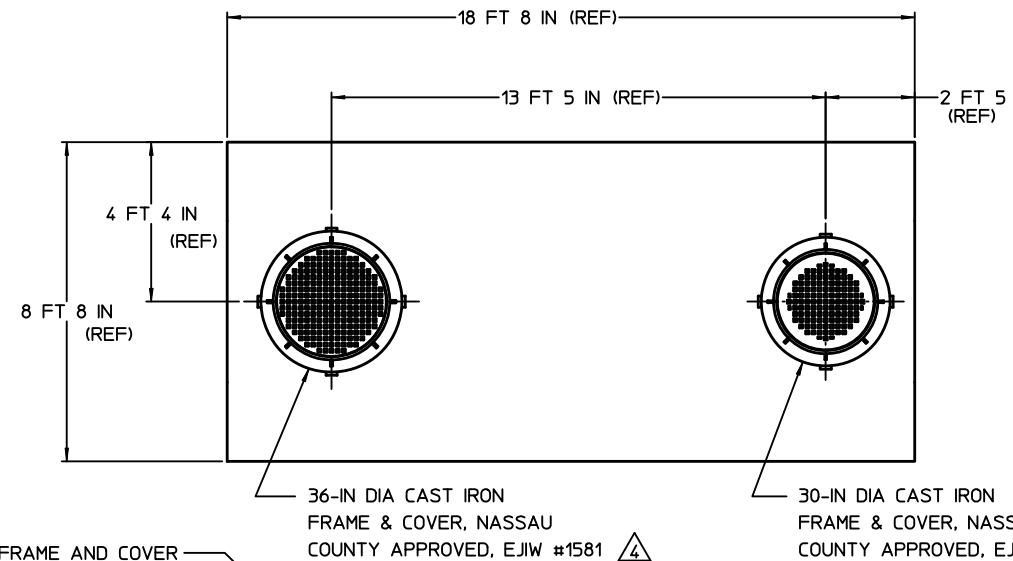
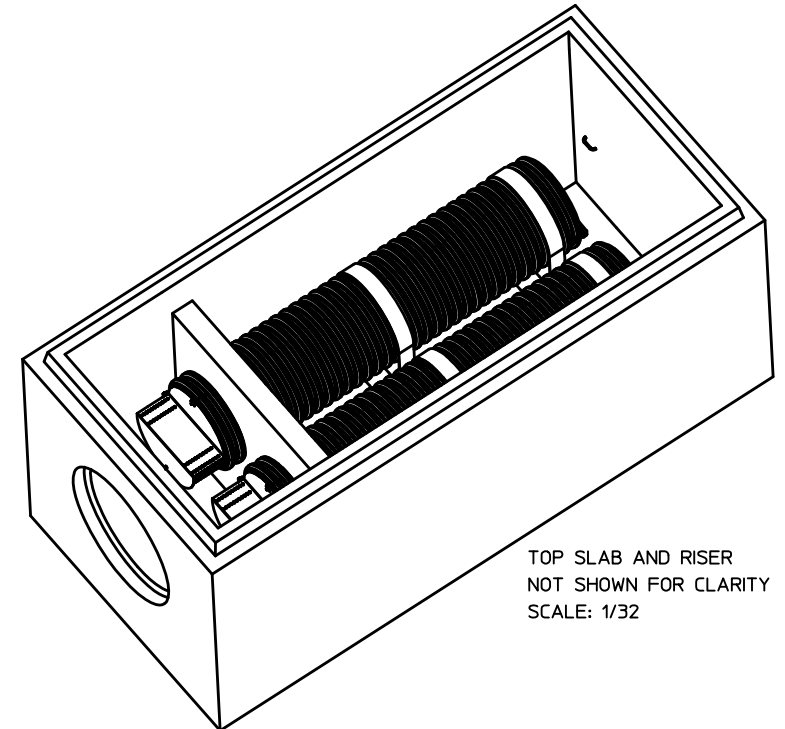
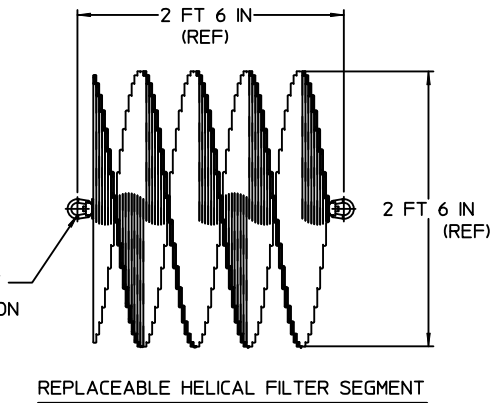
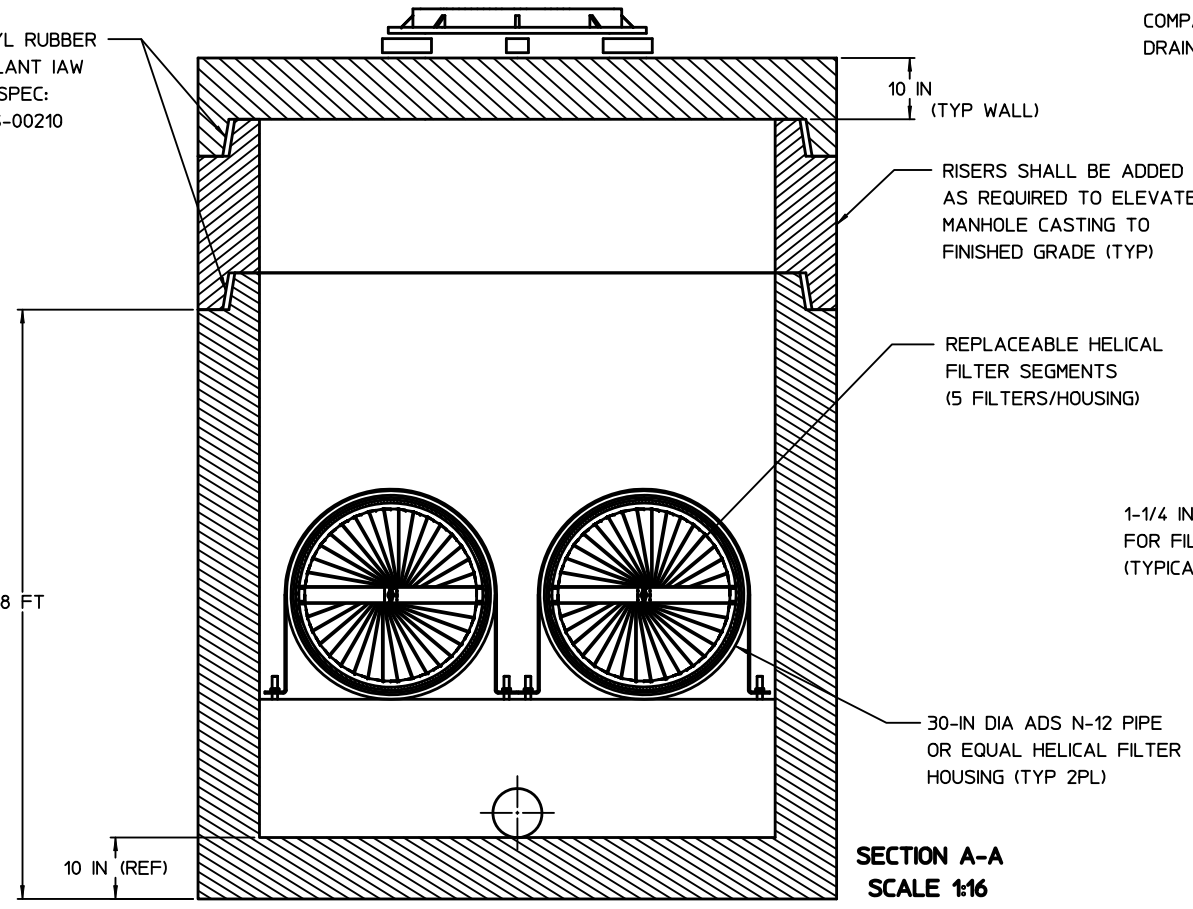


TABLE 1
INSTALLED ELEVATIONS

REF No.	ELEVATION (FT)
1	-0.98
2	1.73
3	5.23
4	7.02
5	13.00
6	15.00



NO	QTY	PART NUMBER	DESCRIPTION	REMARKS
BILL OF MATERIALS				
UNLESS OTHERWISE SPECIFIED REMOVE ALL BURRS BREAK SHARP EDGES .002 - .020 FELLETS .020 MAX DIMENSIONS ARE IN INCHES AND INCLUDE CHEMICALLY APPLIED OR PLATED FINISHES DO NOT SCALE THIS DRAWING		TOLERANCES: DEC .00 + .01 DEC .000 + .005 FRACT . 1/16 ANGLE . 2° Rn FINISH ✓		APPROVALS DATE DWN J.PETERS 12/2/08 ENGR J.PETERS 12/2/08 APVD
MATERIAL		SEE NOTES		FABCO INDUSTRIES, INC. 170 WILBUR PLACE SUITE 12 BOHEMIA NY 11716
MODEL LINK		9816-3_Assy4		TITLE STORMSAFE HF6 STORMWATER TREATMENT VAULT
SIZE	CAGE CODE	DWG NO	REV	
D	1P8A4	9816-3-000	B	
SCALE	1/32	WT	SHEET	1 OF 1